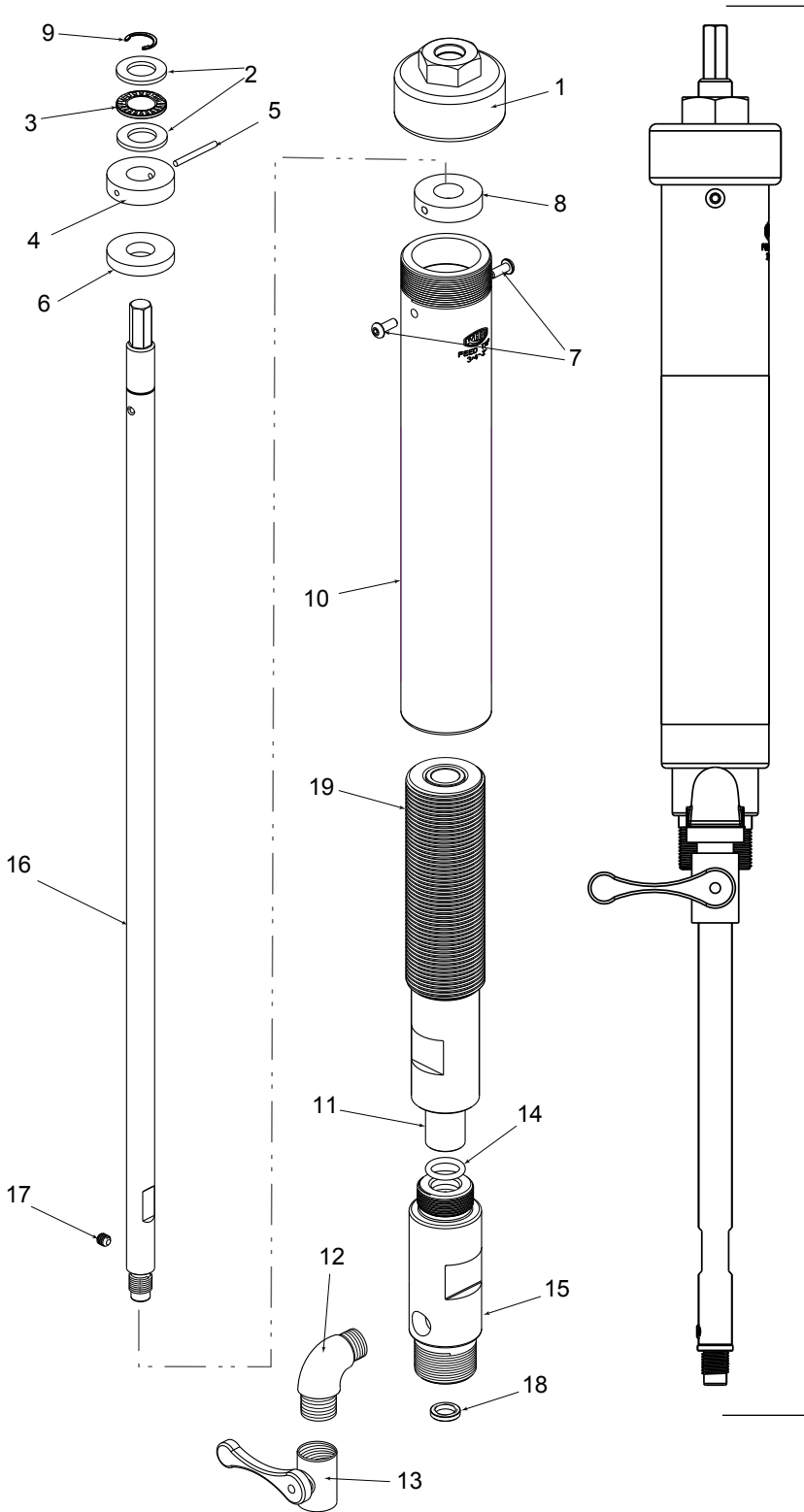




PIPE TOOLS & VISES
SINCE 1896



Feed Tap™
Main Unit Assembly

ITEM	DESCRIPTION	ITEM CODE	QTY.
1	FEED NUT CAP ASSEMBLY	99272	1
2	BEARING THRUST WASHER	49161	2
3	NEEDLE THRUST BEARING	49160	1
4	FEED THRUST WASHER	99162	1
5	HEAVY NATURAL SPIROL PIN	30000	1
6	RULAN BEARING WASHER	49163	1
7	LG BUTTON HD SOC CAP SCR	39161	2
8	RETRACTION THRUST WASHER	99163	1
9	BEARING RETAINING RING	49162	1
10	FEED NUT	99261	1
11	BRONZE BEARING	99103	1
12	90° STREET ELBOW	49142	1
13	BALL VALVE	48161	1
14	O-RING	39119	1
15	CYLINDER	99102	1
16	BORING BAR	99260	1
17	LG HALF DOG POINT	36462	1
18	THREADED WASHER	99101	1
19	FEED SCREW ASSEMBLY	99274	1

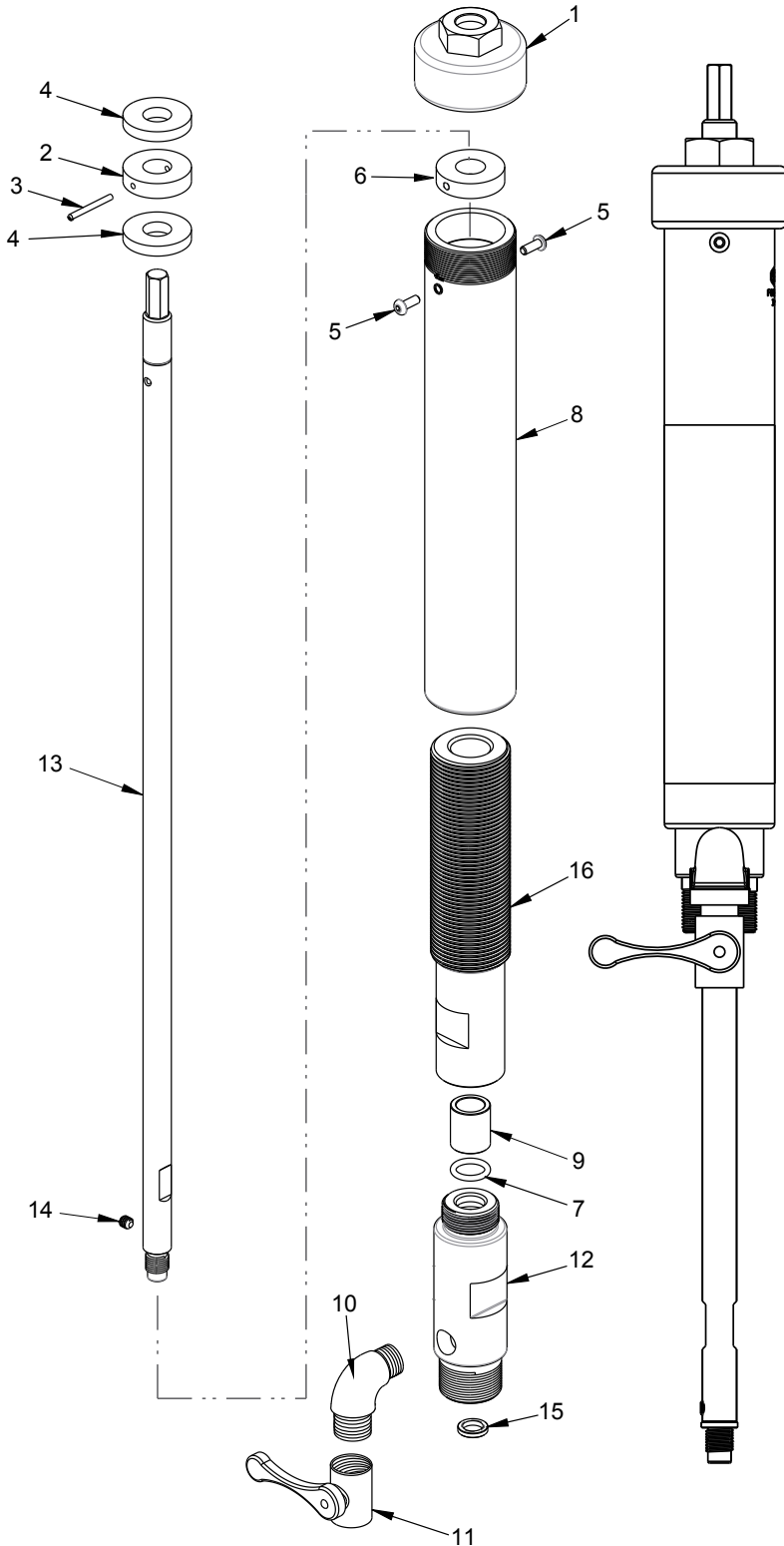
Note: #09169 FTBB serves as a replacement for the Feed Tap™ Main Unit. Plus, it includes #99129 CRPD25 Drill Bit and #99140 TMTC6 Tapping Compound.



PIPE TOOLS & VISES
SINCE 1896

Feed Tap™ (Old Style)

For Units Manufactured Before March 2013 - Replacement Parts



ITEM	DESCRIPTION	ITEM CODE	QTY.
1	FEED NUT CAP ASSEMBLY	99272	1
2	FEED THRUST WASHER	99162	1
3	1/8 x 1 1/4" HEAVY NATURAL SPIROL PIN	30000	1
4	BEARING WASHER	49163	2
5	BUTTON HD SOC CAP SCR	39161	2
6	RETRACTION THRUST WASHER	99163	1
7	O RING	39119	1
8	FEED NUT	99261	1
9	PLAIN BRONZE BEARING	99103	1
10	3/8" NPT 90° ELBOW	49142	1
11	3/8" BLEED OFF VALVE	48161	1
12	CYLINDER	99102	1
13	SHAFT	99260	1
14	SET SCREW	36462	1
15	THREADED WASHER	99101	1
16	BRASS FEED SCREW	99274	1