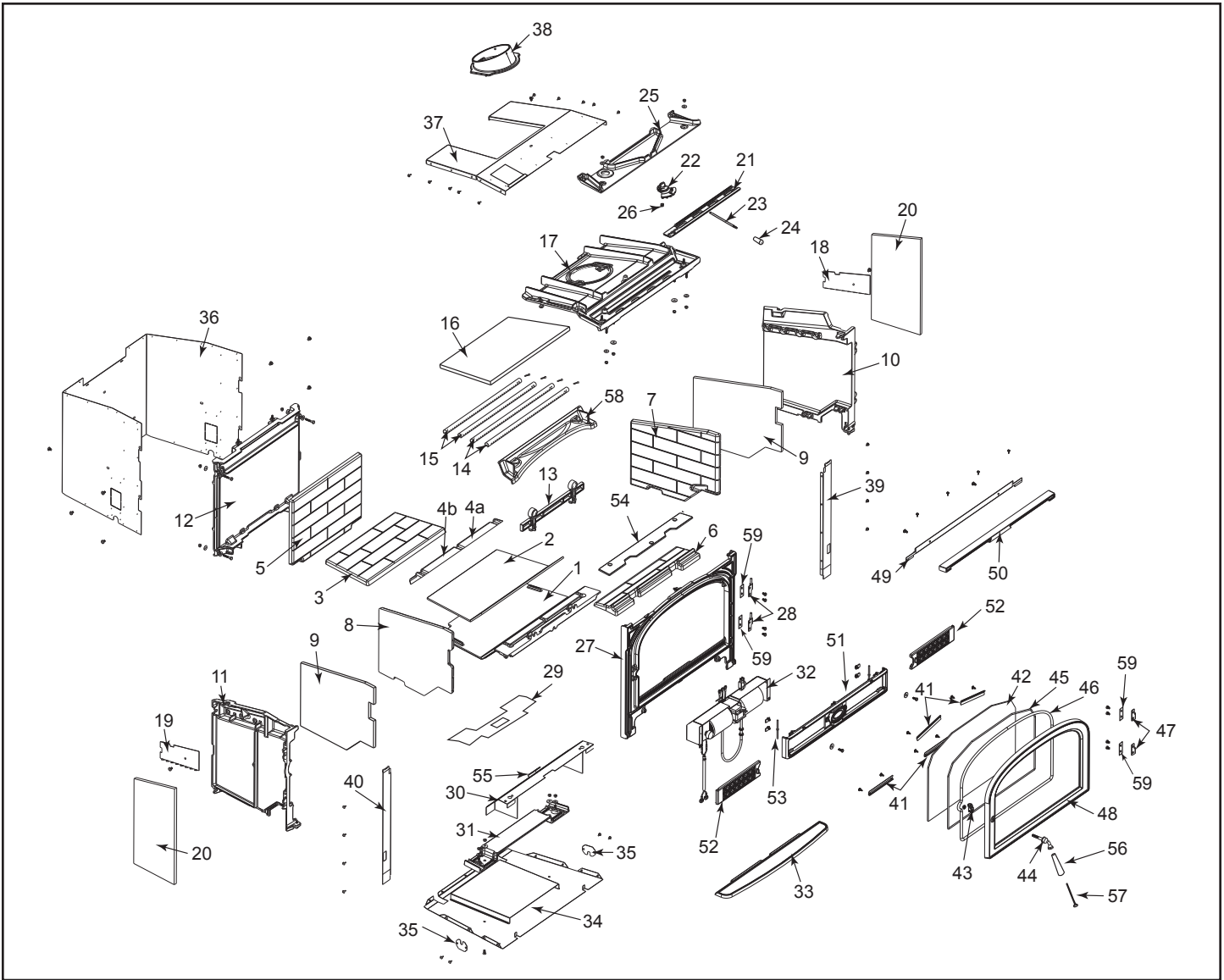


# Service Parts List



Vermont Castings reserves the right to make changes in design, materials, specifications, prices and discontinue colors and products at any time, without notice.

## Montpelier Medium Insert

Ref	Description	Part Number
1	Bottom	30004306
2	Insulation, Bottom Low	30004335
3	Brick, Bottom Low	30004327
4a	Brick, Bottom Slanted Right	30006706
4b	Brick, Bottom Slanted Left	30006707
5	Brick, Back	30004326
6	Brick, Bottom Up	30004329
7	Brick, Right End	30004330
8	Brick, Left End	30004331
9	Insulation, End Int.	30004334
10	End, Right	30004308
11	End, Left	30004309
12	Back	30004307
13	Andiron	30004321

Ref	Description	Part Number
14	Tube A, Secondary Air Tube	30004377
15	Tube B, Secondary Air Tube	30004378
16	Baffle	30004332
17	Top	30004310
18	Right Side Heat Shield, Secondary Air	30004501
19	Left Side Heat Shield, Secondary Air	30004500
20	Insulation, End Ext.	30004333
21	Air Plate	30004315
22	Pinion	30004320A
23	Handle Wire	164504
24	Handle, Wood Black	1600663
25	Cover, Top	30004316
26	Spring, Friction	1201846
27	Front - Refer to Enamel Parts Chart	