

Submitted Model No.: _____
 Specific Features: _____

BRIZO®

SINGLE HANDLE FLOOR MOUNT FREESTANDING TUB FILLER

- Sotria™ Collection
- Floor Mount

FEATURES:

- H₂Okinetic Technology®

STANDARD SPECIFICATIONS:

- Maximum handshower flow rate, 2.0 gpm @ 80 PSI; 7.6 L/Min @ 552 kPa
- Indexing handshower holder
- 60"-82" stretchable finished metal hose
- High flow ceramic mixing cartridge
- Single lever handle with hot and cold indicators
- Auto resetting diverter
- Certified dual check valves in handshower
- Floor mounted single column design
- Drain not included
- Requires rough-in to complete installation:
 - R70100-WS with integrated stops
 - R70100 without stops, provides maximum flow

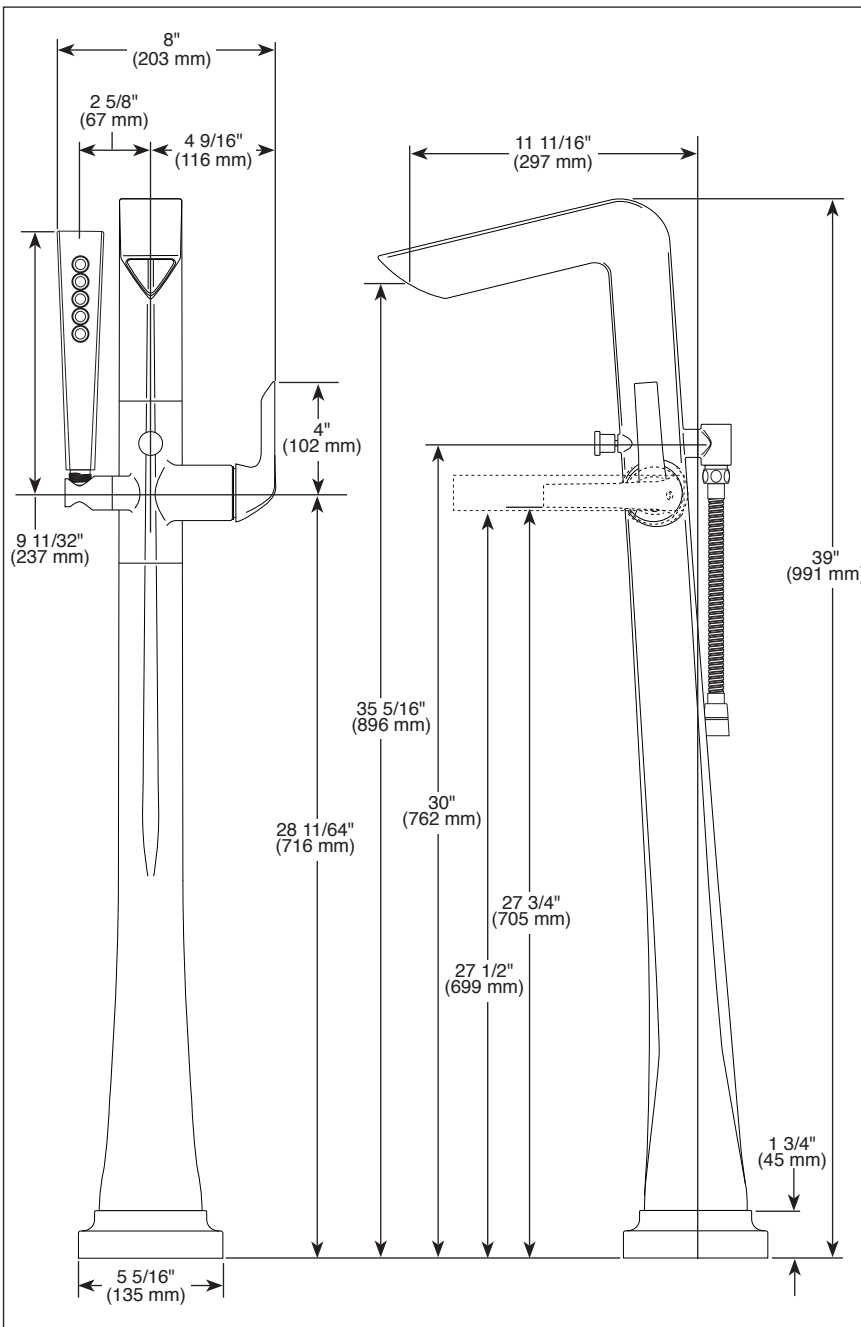
WARRANTY

- Lifetime limited warranty on parts (other than electronic parts and batteries) and finishes; or, for commercial users, for 5 years from date of purchase.
- 5 year limited warranty on electronic parts (other than batteries); or, for commercial users, for 1 year from the date of purchase. No warranty is provided on batteries.

⚠ WARNING: Risk of personal injury. Do not use the tub filler as a grab bar or support bar. Install this product according to the installation guide.

COMPLIES WITH:

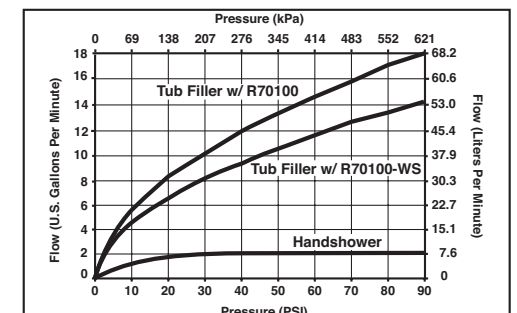
- ASME A112.18.1 / CSA B125.1
- ♿ ICC/ANSI A117.1 - Valve control only



▲ Designate Proper Finish Suffix

Brizo Kitchen & Bath Company reserves the right (1) to make changes in specifications and materials, and (2) to change or discontinue models, both without notice or obligation. Dimensions are for reference only. See current full-line price book or www.brizo.com for finish options and product availability.

BSP-B-T70150 Rev. C



Brizo Kitchen & Bath Company

Indianapolis, Indiana 46280
 A Division of Masco Corporation of Indiana
 © 2015 Brizo Kitchen & Bath Company