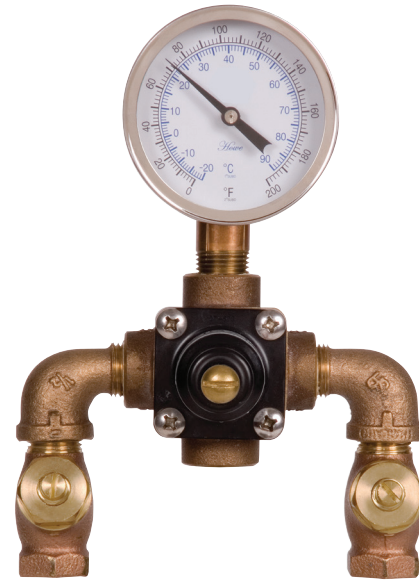


## Thermostatic Mixing Valve Kit

### FEATURES:

- 7.3 gpm capacity supports most single eye or eye/face wash stations @ 30 psi flowing
- Provides 5.6 gpm cold water bypass in case of hot water or thermostatic element failure @ 30 psi flowing
- Inlet connections: ½ in. NPT
- Outlet connection: ½ in. NPT
- Temperature range: 65°F - 90°F
- Maximum pressure 125 PSI
- Inlet temperature hot: 120°F - 180° F
- Inlet temperature cold: 33°F - 80° F
- Minimum temperature differential (from valve set point): 20°F
- Automatic spring check stops on inlets
- Valve holds to a +/- 3°F temperature
- Valves provide a positive shutoff when cold water is lost
- Set Point = 85°F
- Adjustable set point
- Includes: SE-370 TMV, 31-0030 nipple, & 63-0045 hose



### FINISH:



Rough Brass (standard)

### COMPLIANCE:

- ASSE 1071 Certified (SE-370)
- UPC certified (SE-370)

### OPTIONS:

Add suffix to model #

- Flush or surface mounted cabinet  SE-376

### WARRANTY:

- 3 year limited

#### FLOW CAPACITIES - GPM (L/MIN.)

MODEL	MIN. FLOW	PRESSURE DROP - PSI (BAR)						
		5 (.5)	10 (1.0)	15 (1.5)	20 (2.0)	30 (2.5)	45 (3.0)	60 (4.0)
SE-370	1.5 (5.5)	3.0 (13.5)	4.0 (19.0)	5.0 (23.5)	6.0 (27.0)	7.3 (30.5)	9.0 (33.5)	10.5 (38.5)
Cold bypass only		2.3 (10.5)	3.2 (14.5)	4.0 (18.0)	4.6 (21.0)	5.6 (23.5)	6.8 (25.5)	7.7 (29.5)

This plumbing fixture is not intended to dispense water for human consumption through drinking or for preparation of food or beverages.

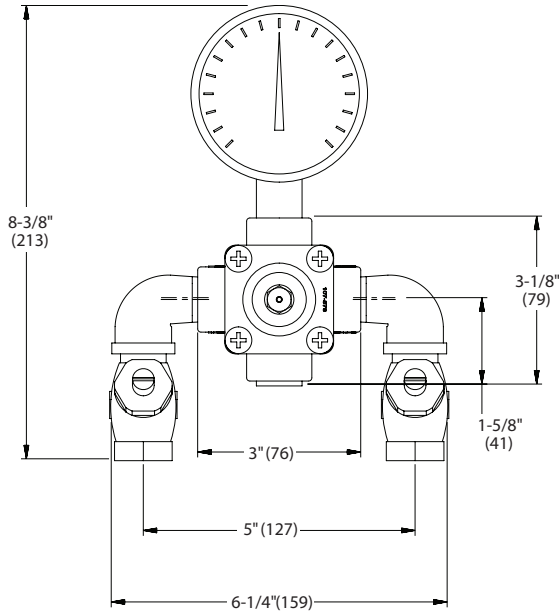
## DIMENSIONS:

NOTE: 1. All dimensions are in inches (millimeters) unless otherwise specified and are subject to change without notice.

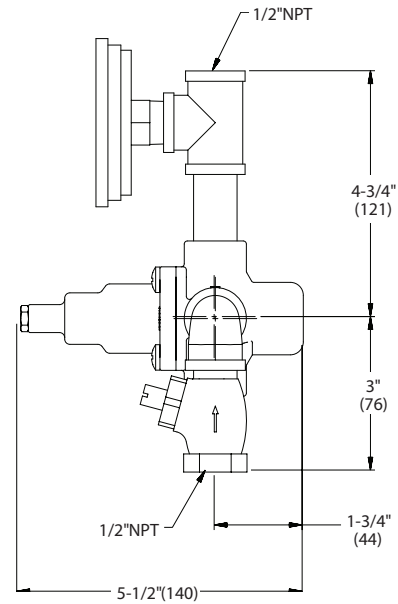
Includes: SE-370 TMV, 31-0030 nipple, & 63-0045 hose

### Dimensions

Front View



Side View



TMV Shown on SE-490

