




Electronic Faucets

Hardwire electronic deck mount lavatory faucet with Proximity® Sensing Technology
Vandal Resistant 0.5 gpm (1.9 L/min) flow rate
Laminar Outlet

Model No: 600T050

COMPLIES WITH:

- CSA certified
- Complies to ASME A112.18.1/CSA B125.1
-  Indicates compliance to ICC/ANSI A117.1
- Verified compliant with 0.25% weighted average Pb content regulations
- Patented
- NOTE 1: For optimum performance of this product, we recommend a system pressure between 20 and 80 PSI static. This product will operate up to a maximum of 125 PSI static per ANSI and CSA requirements. However, we do not recommend pressures above 80 PSI. Thermal expansion or leaking pressure reducing valves may require use of expansion tanks or relief valves to ensure your system never exceeds its maximum intended pressure setting.
- NOTE 2: Designed for routine 180°F (82°C) disinfection cycles up to 10 minutes.
- NOTE 3: Use 3-conductor 18AWG wire between transformer and hardwire converter/driver board earth ground.
- NOTE 4: Use Delta Commercial approved transformers and mount the transformer a minimum of 6 inches away from the Delta driver board enclosure.
- NOTE 5: Refer to Proximity Application Notes for installation best practices, proper grounding and wiring diagrams on www.specselect.com.
- (Contact Delta Representative for State and/or Local Approvals)



NOTES:

Supplied as COMPLETE PRODUCT ONLY (no separate rough-in required)
Verified compliant with 0.25% weighted average Pb content regulations

COMPLETE SERIES is available as Compliant product as of August 14 2013 .

The Product Numbers have NOT changed.

(Dimensional drawing on following page)

SPECIFICATION:

- Deck mount electronic lavatory faucet
- Cast chrome plated brass spout
- Proximity® Sensing Technology
- Hardwire units supplied with 24 VAC to 6 VDC converter (Transformer required). (Specify separately)
- Battery units supplied with 4 'C' cell batteries
- Surface mount control box
- Mixing valve required (Order separately)
- 0.5 GPM (1.9 L/min) Laminar Outlet
- Chrome Finish

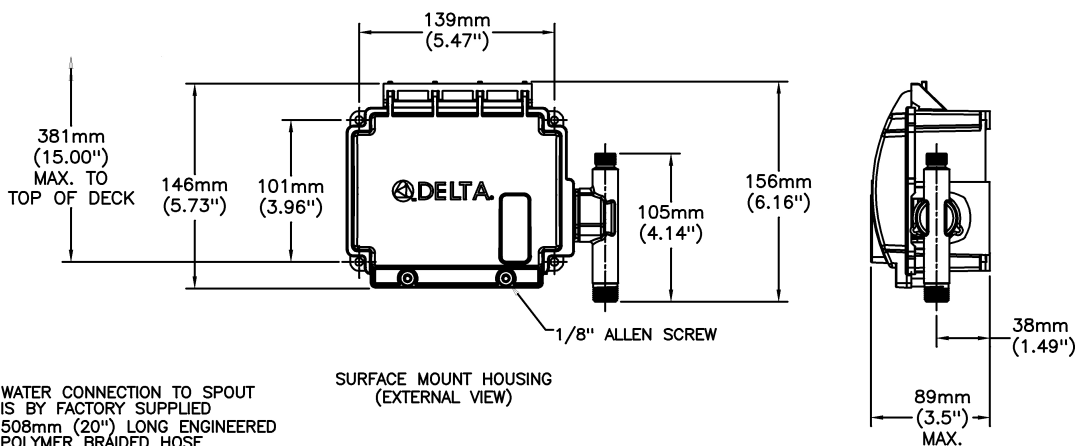
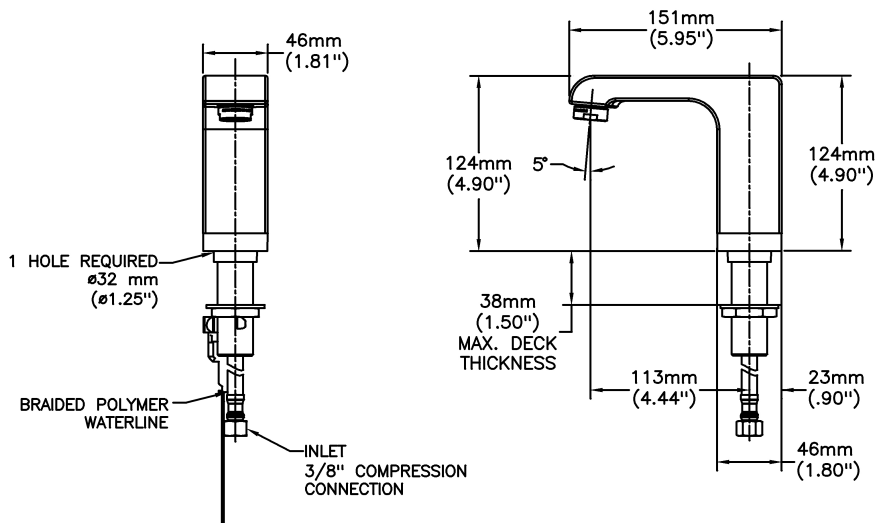
OPERATION:

- Hands free (touchless) operation.
- No visible sensor, the spout is the sensor.
- Water flows when sensing is activated.
- Water flow stops upon de-activation of sensing.
- Adjustable sensing distance factory set to 76 mm (3").
- Low battery audible beep (for battery models only) will activate after faucet shuts off when approximately 1500 cycles remain.
- Adjustable auto shut off feature. Factory set to 45 seconds.
- Metering mode with selectable flow times of 7 seconds to 4 minutes, factory set off.
- Periodic Rinse feature, time adjustable in 6 hour increments up to 2 days. Selectable rinsing lengths from 10 to 180 seconds. Factory set off.

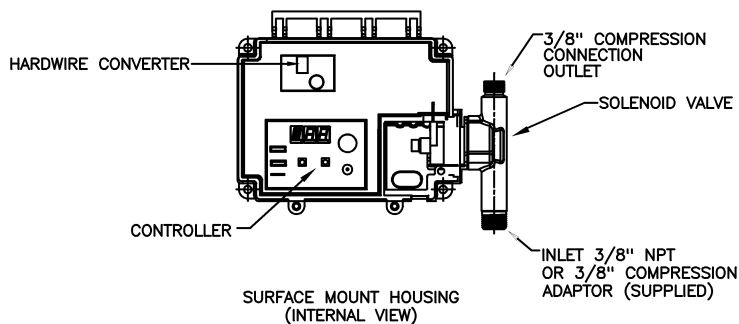
Delta reserves the right (1) to make changes to specifications and materials, and (2) to change or discontinue models, both without notice or obligation. Dimensions are for reference. Measurement may vary plus or minus 6mm(0.25"). Mounting locations are suggested only. Check with local codes for requirements in your area. This spec was produced January 18, 2017.

Delta Faucet Company - 55 East 111th St. - Indianapolis, Indiana, USA 46280 - (317) 848-1812
Delta Faucet Canada - 395 Matheson Blvd E - Mississauga, Ontario, Canada L4Z 2H2 - (905) 712-3030

Model No: 600T050



WATER CONNECTION TO SPOUT IS BY FACTORY SUPPLIED 508mm (20") LONG ENGINEERED POLYMER BRAIDED HOSE



Delta reserves the right (1) to make changes to specifications and materials, and (2) to change or discontinue models, both without notice or obligation. Dimensions are for reference. Measurement may vary plus or minus 6mm(0.25"). Mounting locations are suggested only. Check with local codes for requirements in your area. This spec was produced January 18, 2017.