

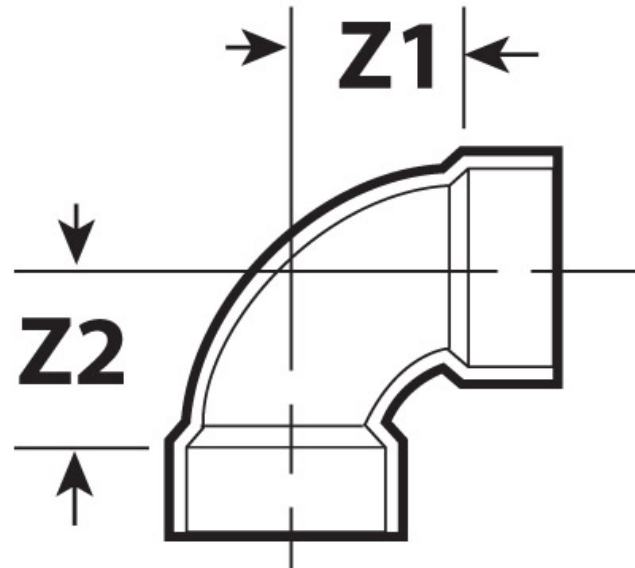


Submittal Sheet

Part Description:
 1-1/2" ABS DWV 90 Degree Long Turn Bend
 or Elbow, H X H

Part Number:
 102251L

Approvals and Listings maintained by:
 Canplas Industries Ltd
 Canada: 1-800-461-5300 USA: 1-888-461-5307



ASTM



Part #	Part UPC	Colour	Size (inches)	Ctn Qty	Ctn Bar Code	Ctn. Wt (Kgs)	Ctn. Wt (lbs)	Skid Cubic (m)	Skid Cubic (ft)	Ctns/Skid
102251L	662671100467	BLACK	1-1/2X1-1/2	110	10662671100464	7.80	17.16	1.86	65.82	32

Dimensions (inches)

Z1	Z2
1.59	1.63