

ROOF DRAIN

» 867 SERIES

SPECIFICATION

Sioux Chief 867 Series roof drain shall be used where necessary in drainage systems. Roof drain shall have a polypro or cast iron dome strainer. Dome strainer shall fasten to clamping collar. Clamping collar shall fasten to drain body with four screws that thread into brass inserts. Drain body shall have a Sch. 40 hub connection. Designed in accordance with ASME A11.2.6.4-2003.

STRAINER LOAD RATING

Dome strainer: Polypropylene, enamel-coated cast iron

Clamping collar: ABS, enamel-coated cast iron

Drain body: ABS, PVC

STRAINER FREE AREA

37.6 in²

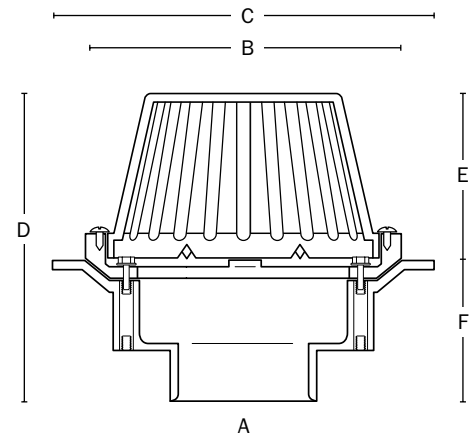
DIMENSIONS

A: Connection	2", 3", 4" Sch. 40 hub
B: Clamping collar diameter	8"
C: Flange diameter	10"
D: Overall height	8 ⁵ / ₈ "
E: Elevation	4 ¹ / ₈ "
F: Drain body height	4"

ITEM # SUBMITTED	_____
JOB NAME	_____
LOCATION	_____
ENGINEER	_____
CONTRACTOR	_____
PO#	_____ TAG _____



867-P3



Create Item Number

867-ABC

e.g. **867-P3U**: Roof drain with 3" PVC hub connection, polypro dome strainer, and underdeck clamp kit

CONNECTION A

- A = ABS drain body
- P = PVC drain body

CONNECTION SIZE B

- 2 = 2" Sch. 40 hub
- 3 = 3" Sch. 40 hub
- 4 = 4" Sch. 40 hub

INSTALLED OPTIONS C

- M = Cast iron dome strainer¹
- V = Vandal-resistant dome strainer screws
- P = Stainless steel mesh cover screen for dome
- C = Iron clamping collar²
- STP2 = 2" standpipe for overflow
- U = Underdeck clamp kit³

ACCESSORIES (ordered separately)

- 867-C** = Underdeck clamp kit³
- 867-UM** = Stainless steel mesh cover screen for dome

1 In place of standard polypro dome strainer
 2 In place of standard ABS clamping collar
 3 Includes two clamping bars, thread rod and hardware