

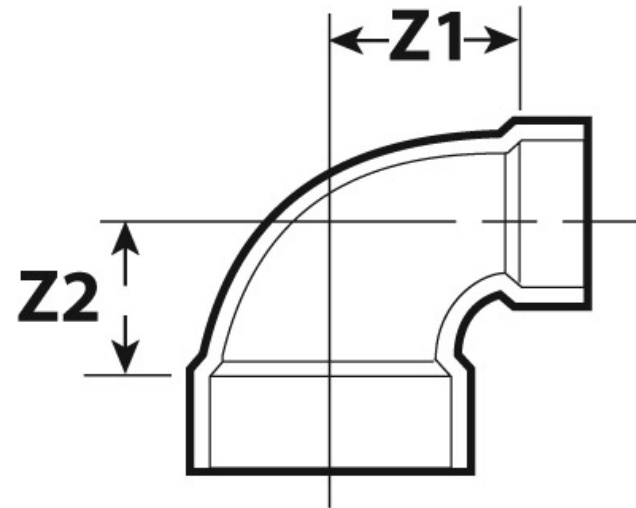


Submittal Sheet

Part Description:
4" X 3" ABS DWV Reducing Closet Bend or Elbow H X H

Part Number:
102223

Approvals and Listings maintained by:
Canplas Industries Ltd
Canada: 1-800-461-5300 USA: 1-888-461-5307



Part #	Part UPC	Colour	Size (inches)	Ctn Qty	Ctn Bar Code	Ctn. Wt (Kgs)	Ctn. Wt (lbs)	Skid Cubic (m)	Skid Cubic (ft)	Ctns/Skid
102223	662671100429	BLACK	4X3	20	10662671100426	10.19	22.42	1.90	67.04	18

Dimensions (inches)

Z1	Z2
3.29	2.87