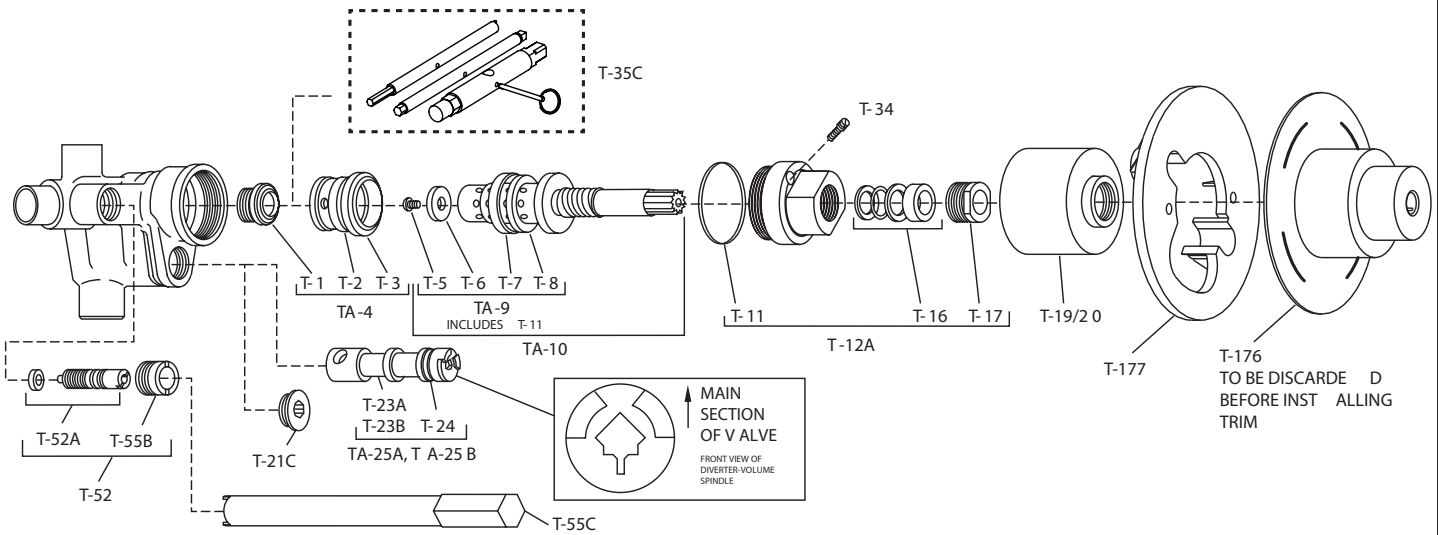


Temptrol® Genuine Replacement Parts

PARTS BREAKDOWN



INDIVIDUAL PARTS

T-1	Hot renewable seat
T-2	Cold seat O-ring
T-3	Cold renewable seat
T-5	Hot washer screw
T-6	Hot washer
T-7	Cold washer retainer
T-8	Cold washer
TA-10	Spindle assembly
T-11	Cap gasket
T-12A	Cap assembly
T-16	Packing, O-ring and washer
T-17	Packing nut
T-21C	Diverter retainer
T-23A	Diverter spindle (Model A)
T-23B	Diverter spindle (Model B)
T-24	Spindle O-ring
T-34	Limit Stop with O-ring
T-35C	Universal seat removal tool
T-52A	Stop spindle assembly/escutcheon screw retainer
T-55B	Stop plaster shield
T-55C	Stop plaster shield removal tool
T-176	Plaster shield
T-177	Wall mounting flange

COMPOSITE PARTS

TA-4	Hot seat (T-1) Cold seat O-ring (T-2) Cold seat (T-3)
TA-9	Hot washer screw (T-5) Hot washer (T-6) Cold washer retainer (T-7) Cold washer (T-8) Cap gasket (T-11)
TA-10	Spindle assembly
TA-25A	Diverter/volume spindle (T-23A) O-ring (T-24) for Model A tub/shower valve
TA-25B	Volume spindle (T-23B) O-ring (T-24) for Model B shower valve
T-52	Stop spindle assembly/escutcheon screw retainer (T-52A) Stop plaster shield (T-55B)