

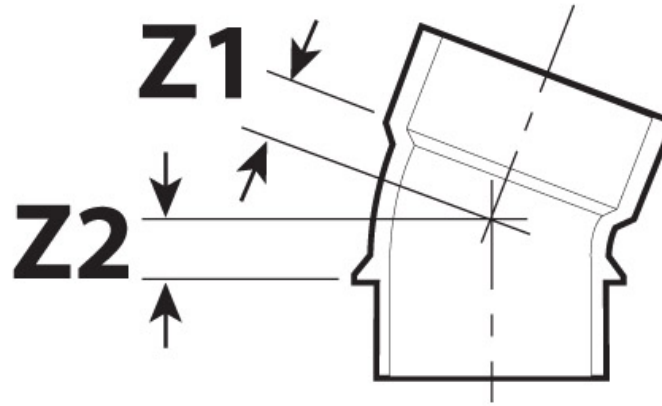


Submittal Sheet

Part Description:  
 2" ABS DWV 1/16 or 22-1/2 Degree Street  
 Bend or Elbow Spigot X H

Part Number:  
 102562

Approvals and Listings maintained by:  
 Canplas Industries Ltd  
 Canada: 1-800-461-5300 USA: 1-888-461-5307



ASTM



Part #	Part UPC	Colour	Size (inches)	Ctn Qty	Ctn Bar Code	Ctn. Wt (Kgs)	Ctn. Wt (lbs)	Skid Cubic (m)	Skid Cubic (ft)	Ctns/Skid
102562	662671106902	BLACK	2X2	45	10662671106909	3.50	7.70	1.79	63.37	72

Dimensions (inches)

Z1	Z2
0.69	0.69