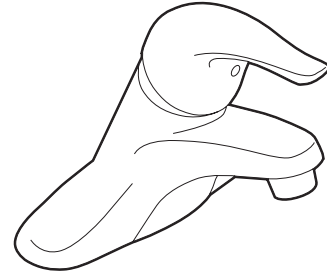


There is more than 1 version of this model.
Page down to identify the version you have.



CHATEAU® Single-Handle Lavatory Faucet

with Metal Waste Assembly

Model: L4625 series
L4631BC

Bulk Packed (12 per carton):
L64624 series

with 50/50 Waste Assembly

Bulk Packed (12 per carton):
L64625 series

Less Waste
Bulk Packed (12 per carton):
L64600 series

NOTE: THIS FAUCET IS DESIGNED TO BE
INSTALLED THRU 3-1" DIA. HOLES, 2" ON CENTER



DESCRIPTION

- Metal construction with various finishes identified by suffix
- Flexible supplies with 3/8" compression fittings
- Includes metal or 50/50 pop-up type waste assembly where noted

OPERATION

- Pivot action lever style handle
- Temperature controlled through 100° degree arc of handle travel


FLOW

- Water usage is limited to these maximum flow rates as indicated by the corresponding product markings
- ° 1.2 gpm max (4.5L/min) at 60 psi
- ° 1.5 gpm max (5.7L/min) at 60 psi

CARTRIDGE

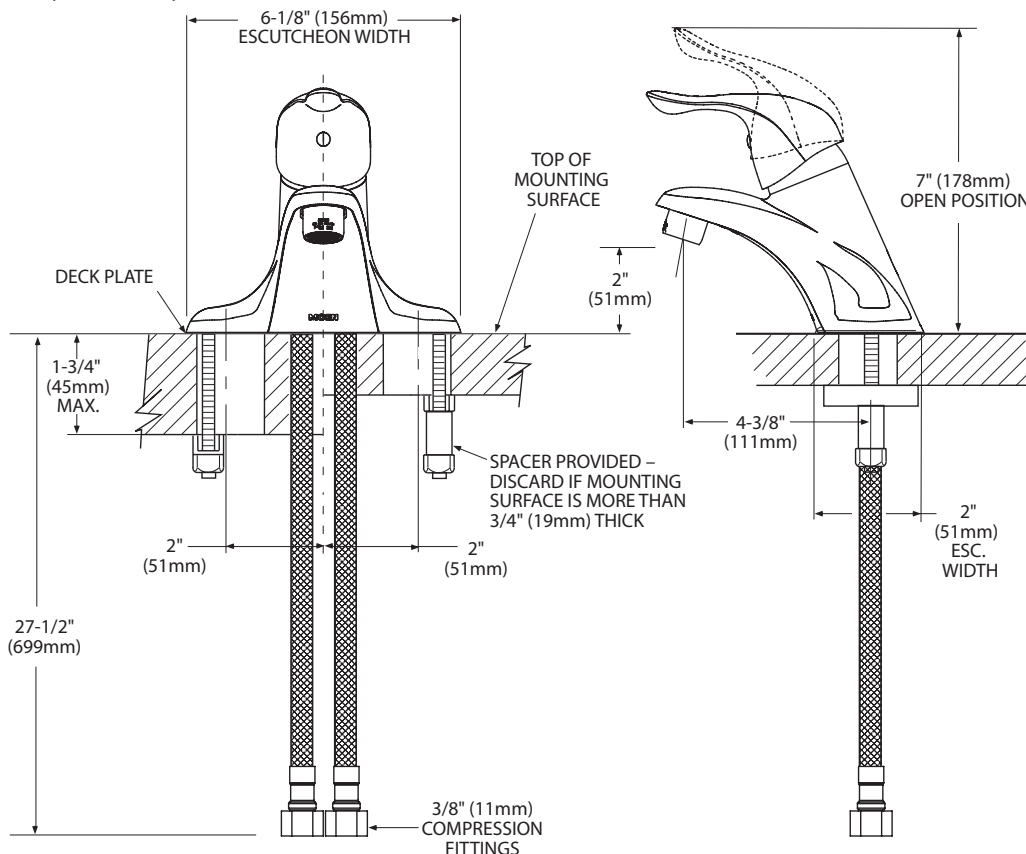
- 1255™ Duralast™ cartridge
- Nonmetallic/nonferrous and stainless steel material

STANDARDS

- Third party certified to WaterSense®, ASME A112.18.1/CSA B125.1 and all applicable requirements referenced therein
- Certified to NSF 61/9 & 372
- Products marked with 1.2 gpm are compliant with California water efficiency regulations
- Complies with California Proposition 65 and with the Federal Safe Drinking Water Act
- **ADA**  for lever handle

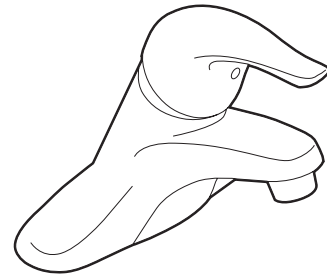
WARRANTY

- Lifetime limited warranty against leaks, drips and finish defects to the original consumer purchaser
- 5 year warranty if used in commercial installations



CRITICAL DIMENSIONS

(DO NOT SCALE)



CHATEAU® Single-Handle Lavatory Faucet

with Metal Waste Assembly

Model: L4625 series

L4631BC

Bulk Packed (12 per carton):

L64624 series

with 50/50 Waste Assembly

Bulk Packed (12 per carton):

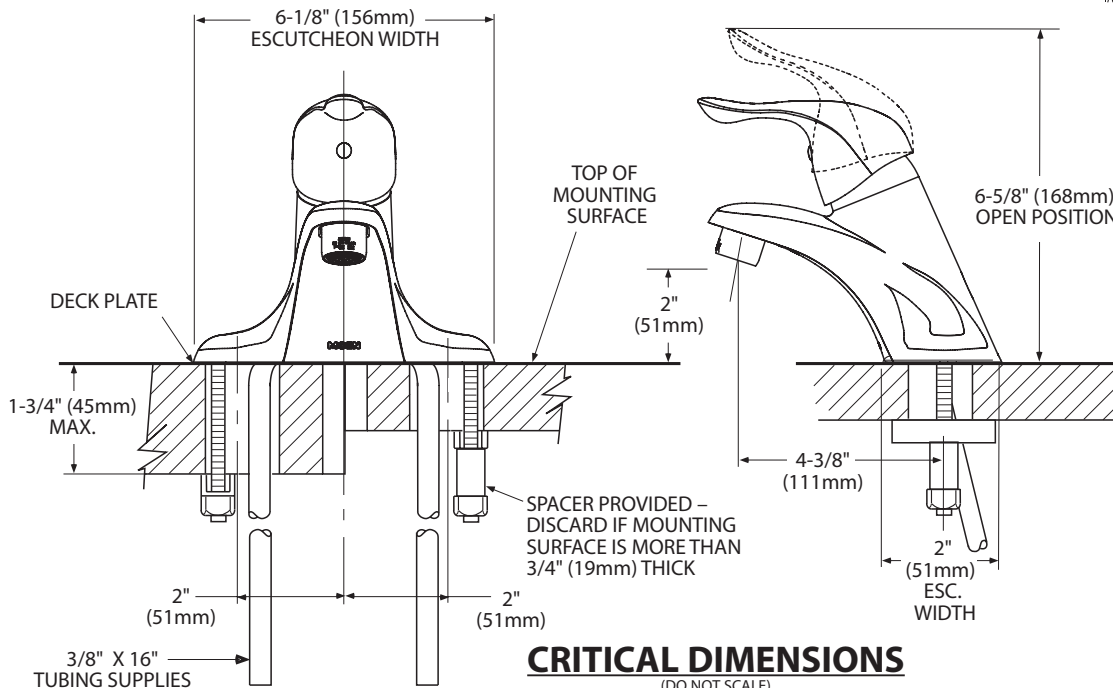
L64625 series

Less Waste

Bulk Packed (12 per carton):

L64600 series

NOTE: THIS FAUCET IS DESIGNED TO BE INSTALLED THRU 3-1" DIA. HOLES, 2" ON CENTER



DESCRIPTION

- Metal construction with various finishes identified by suffix
- 16" long 3/8" tubing connections
- Includes metal or 50/50 pop-up type waste assembly where noted

OPERATION

- Pivot action lever style handle
- Temperature controlled through 180° degree arc of handle travel


FLOW

- Flow is limited to 1.5 gpm max (5.7L/min) at 60 psi

CARTRIDGE

- 1225 cartridge design
- Nonmetallic/nonferrous and stainless steel material
- Can accommodate reversed piping and back to back installations

STANDARDS

- Third party certified to WaterSense®, CSA B-125.1, ASME A112.18.1 and all applicable requirements referenced therein including NSF61/9
- Complies with California Proposition 65 and with the Federal Safe Drinking Water Act
- **ADA**  for lever handle

WARRANTY

- Lifetime limited warranty against leaks, drips and finish defects to the original consumer purchaser
- 5 year warranty if used in commercial installations