

ALM-Series Indoor Alarms

Product Features:

- NEMA 1 enclosure - Rated for indoor use only
- Automatic alarm and alarm silence reset
- 360° red alarm indicator beacon
- 4 ft. (1.2m) power cord
- 9V Battery back-up with low battery indicator
- Pre-installed connector on level sensor for plug-and-play installation
- Auxiliary dry contacts for triggering external alarm
- Multiple level sensing options available
- Internet connectivity available with NightEye® enabled devices



DO NOT THROW AWAY OR LOSE THIS MANUAL

Table of Contents

Safety Information	1
General Information	2
Installation	3
Operation	4
Warranty	5

Models Covered

Standard Models
ALM-P1
ALM-2
ALM-2-1
ALM-PK
SJ10A
NightEye® Wireless Enabled Models
ALM-P1-EYE
ALM-2-EYE
ALM-2-1-EYE
ALM-PK-EYE
SJ10A-EYE



7000 Apple Tree Avenue
 Bergen, NY 14416
 Phone: (800) 543-2550
 Fax: (585) 494-1839



Safety Information



RISK OF ELECTRIC SHOCK

NEVER enter a flooded space without proper Personal Protective Equipment. Always wear dielectric rubber boots and other applicable protective equipment when water is on the floor and you must service an energized pump or alarm system.

NEVER install this alarm system outdoors. The system is rated for indoor use only.

DO NOT enter the water if the water level is higher than that of the protection your PPE offers or if your PPE is not watertight.

DISCONNECT POWER before installing or servicing this product. A qualified service person must install and service this product according to applicable electrical and plumbing codes.



RISK OF FIRE

NEVER use this product with or near flammable liquids.

DO NOT install this product in locations classified as hazardous or in explosive atmospheres as defined by any applicable electrical safety code.



Failure to follow the above precautions could result in serious injury or death. Replace product immediately if sensor or power cable becomes damaged or severed. Keep these instructions in a safe place for future reference. This product must be installed in accordance with National Electric Code, ANSI/NFPA 70 so as to prevent moisture from entering or accumulating within junction boxes, conduit bodies, fittings, float housing, alarm enclosure, or cable.

General Information

Before use, please read the following instructions carefully. Each Liberty Pumps alarm system is tested individually in the factory to ensure proper performance and operation. Closely following these instructions will eliminate potential operating problems, providing years of trouble-free service.

This high water level alarm system is designed for applications such as monitoring sump pump basins, sewage pump basins, and water powered back-up pumps. The alarm system comes standard with a 9V battery back-up to enable continuous water level monitoring, even when the power is out. A built-in battery monitor alerts the user when the 9V battery needs to be replaced.

NightEye[®] enabled devices come equipped with wireless internet connectivity. These devices can connect to your wireless network, by means of an Android[®] or iOS[®] device, and send notifications about your system in real time. This system can provide peace of mind about the status of your sump pump system even when you are not home.

All of the alarms come standard with Liberty Pumps', patent pending, 360° red alarm beacon powered by super-bright LEDs. In combination with the 86dB (at 10' (3m)) alarm siren, the alarm is sure to alert occupants of the high-water condition.

Each device is specifically designed for use in an indoor residential wastewater application. The systems come with liquid level sensors that conform to the needs of the intended application. The sensor types are as follows:

- Snap-on enclosed float - (ALM-P1, ALM-P1-EYE, SJ10A, SJ10A-EYE) - Sump Pump Applications
- Tethered float - (ALM-2, ALM-2-1, ALM-2-EYE, ALM-2-1-EYE) - Sewage Pump Applications
- Water puck - (ALM-PK, ALM-PK-EYE) - Puddle Sensing.

If you need one alarm to monitor multiple locations, Liberty offers a splitter to connect up to 3 sensors (Kit: K001633).

Installation



RISK OF ELECTRIC SHOCK

NEVER install this alarm system outdoors. The system is rated for indoor use only.

Enclosure Installation

- 1) Select an indoor mounting location for the alarm unit. Liberty Pumps recommends a location between 48in (1.2m) and 66in (1.7m) above floor level.
- 2) Using the supplied template on the rear cover of this manual, mark screw locations on the mounting surface.
- 3) If the screw locations are **NOT** directly over a wall stud, or the alarm will be mounted to a masonry wall, the use of the supplied anchors is recommended. A 3/16" (5mm) hole must be drilled before inserting the anchor into the wall.
- 4) Mount the alarm enclosure to the wall using the supplied anchors and screws (where applicable).

Sensor Installation

Sump Pump Sensor

- 1) Remove sump pump sensor from packaging.
- 2) Apply a small amount of glue to the inside of the snap feature of the sensor. **NOTE: Over-gluing the sensor will make future removal very difficult.**
- 3) Snap sensor over the discharge pipe of your sump pump as shown in **Figure 1**.
- 4) Route the sensor cable out of the sump pit and connect it to the bottom of the alarm enclosure. See **Figure 3**.

Sewage Pump Sensor

- 1) Place the float switch cord into the clamp as shown in **Figure 2**.
 - 2) Locate the clamp at the desired activation level and secure the clamp to the pump discharge pipe as shown in **Figure 2**.
- Note:** Do not install cord under hose clamp.
- 3) Tighten the hose clamp using a screwdriver. Over tightening may result in damage to the plastic clamp. Make sure the float cable is not allowed to touch the excess hose clamp band during operation.

Note: All hose clamp components are made of 18-8 stainless steel. See your Liberty Pumps® supplier for replacements.

- 4) Route the sensor cable out of the sewage pit and connect it to the bottom of the alarm enclosure ensuring it does not interfere with the operation of the primary pump's float. See **Figure 3**.

Water Puck Sensor

- 1) Remove the puck sensor from its packaging.
- 2) Place sensor in the location susceptible to water intrusion or buildup (example: under hot water heater, near laundry sink, near problematic foundation wall, etc.).
- 3) Route water puck cable such that it will not pose a tripping hazard.
- 4) Plug water puck cable into the ALM sensor connector.
- 5) Test water puck for operation by setting it in a small puddle or by holding a damp towel on its bottom surface.

To install up to 3 sensors, use a Liberty alarm connector splitter (sold separately, Kit: K001633).

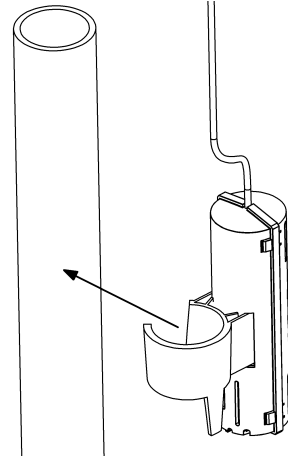


Figure 1
Sump Pump Sensor Installation

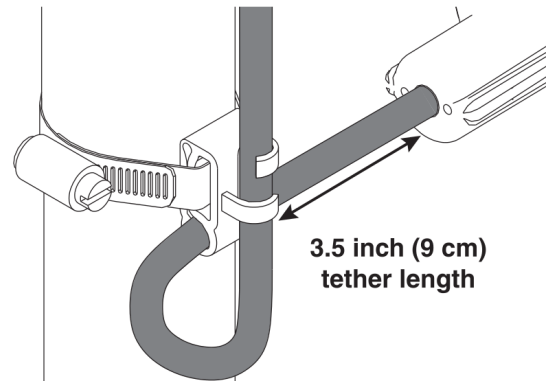


Figure 2
Sewage Pump Sensor Installation

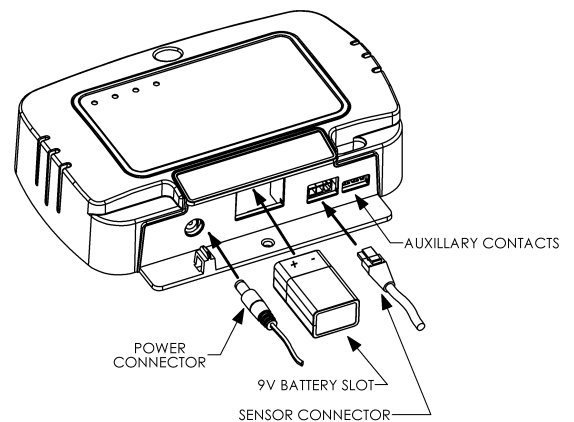


Figure 3
Connection locations on bottom of alarm unit.
Note the 9V battery installation—paying attention to polarity, the battery should gently push into place and latch on the ledge at the bottom of the battery chamber.

Installation (con't)

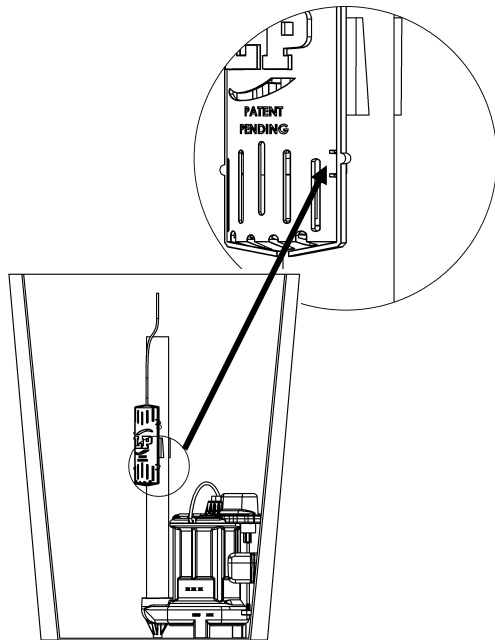


Figure 5

Testing sump pump liquid sensor

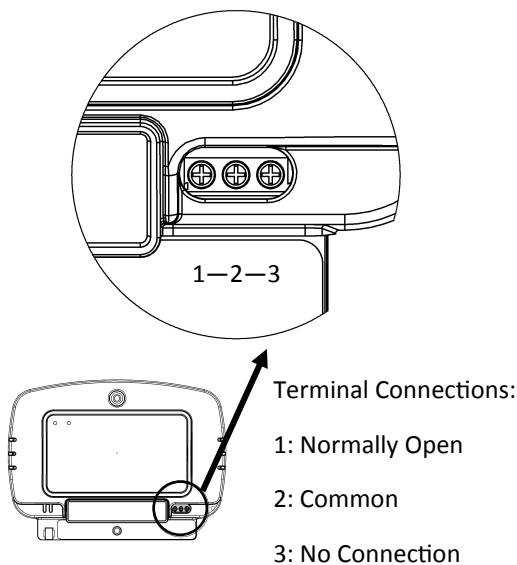


Figure 6

Auxiliary Contact Connections

NOTE: 24 VDC/VAC, 500 mA MAX

Connect Power

- 1) Connect the supplied power adapter to the alarm unit as shown in Figure 3. Plug the power adapter into the wall receptacle and verify that the green "power" indicator illuminates.

Note: It is recommended that the alarm is connected to a circuit that is separate from the pump circuit. This allows the alarm to continue to operate if the pump circuit fails.

- 2) Install the 9V battery as shown in **Figure 3 (previous page)**. Paying attention to polarity, the battery should gently push into place and latch on the ledge at the bottom of the battery chamber.

Note: A 9V battery must be installed in the device at all times to ensure proper operation.

NightEye® Configuration

If your device is NightEye® enabled, it is now time to configure the device to connect to your wireless network.

For configuration instructions, please consult the NightEye® quick-start guide that is included with your device. If the quick-start guide has been lost or damaged, electronic copies are available at LibertyPumps.com.

Alarm Testing

Sump Pump Sensor

This switch is a self contained unit. The internal float may not be visible from the outside of the switch housing. The switch should be placed such that the activation point (**Figure 5**) is slightly higher than the pump activation point.

- 1) In order to test the proper operation of the float switch, we recommend raising the water level in your sump pit above it's normal operating level. If raising the water level is not feasible, a cup of water can be used to confirm float operation.
- 2) When the water level reaches the lowest mark on the side of the float housing, the alarm will activate. (**Figure 5**)
- 3) Once alarm begins to sound, it will continue to sound until the water level is lowered. The audible alarm can be silenced using the **Silence** button on the front of the device. (The alarm will stay silenced for 6 hours after the silence button is pressed)
- 4) Once testing is complete, lower the water level in the pit back to its normal range.

Sewage Pump Sensor

- 1) Manually tip the float up.
- 2) Once alarm begins to sound, it will continue to sound until the float is tipped down. The audible alarm can be silenced using the **Silence** button on the front of the device. (The alarm will stay silenced for 6 hours after the silence button is pressed.)
- 3) Lower the float back to its resting position to reset the alarm.

Installation (con't)

Auxiliary Contacts

This device comes equipped with auxiliary contacts. These contacts can be used to integrate the output of this alarm with an existing home monitoring system. See **Figure 6** for contact connections diagram.

Contact Rating: Class 2, 24 VDC/VAC (50/60 HZ) 500 mA MAXIMUM

Regular Operation

Now that your alarm unit has been configured and tested, it is ready for operation. The following is a list of regular maintenance tasks:

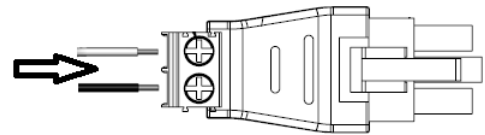
- It is highly recommended that the alarm system be **tested every 6 months**. Follow the procedure outlined in the Alarm Testing section above.
- In the event the 9V battery is low, the alarm will emit a short chirp about twice per minute. The 9V battery should be replaced any time the yellow "low battery" indicator on the alarm unit is lit or every 12 months.

In the event that an alarm condition is detected by the system, the audible and visual alarms will activate. The automatic reset feature of the alarm will turn the audible and visual alarms off once the condition has been corrected.

Float Adapter

If your system already has an alarm float installed, and you do not want to replace it with the float included with your Liberty ALM series product, you can use the included terminal block adapter.

- 1) Turn both screws in the float adapter counter-clockwise, until the conductor receptacles are fully open.
- 2) Insert the float conductors into the float adapter, one conductor per receptacle. Polarity does not matter.
- 3) Tighten the screws in the float adapter until they bottom out.
- 4) Insert the float adapter into the connector on your Liberty ALM series alarm.



3 Year Limited Warranty

Liberty Pumps, Inc. warrants that its products are free from all factory defects in material and workmanship for a period of 3 years from the date of purchase. The date of purchase shall be determined by a dated sales receipt noting the model and serial number of the pump. The dated sales receipt must accompany the returned pump if the date of return is more than 3 years from the "CODE" (date of manufacture) number noted on the pump nameplate.

The manufacturer's sole obligation under this Warranty shall be limited to the repair or replacement of any parts found by the manufacturer to be defective, provided the part or assembly is returned freight prepaid to the manufacturer or its authorized service center, and provided that none of the following warranty-voiding events have taken place.

The manufacturer shall not be liable under this Warranty if the product has not been properly installed; if it has been disassembled, modified, abused or tampered with; if the electrical cord has been cut, damaged or spliced; if the pump discharge has been reduced in size; if the pump has been used in water temperatures above the advertised rating, or in water containing sand, lime, cement, gravel or other abrasives; if the product has been used to pump chemicals or hydrocarbons; if a non-submersible motor has been subjected to excessive moisture; or if the label bearing the serial, model and code number has been removed. Liberty Pumps, Inc. shall not be liable for any loss, damage or expenses resulting from installation or use of its products, or for indirect, incidental, and consequential damages, including costs of removal, reinstallation or transportation.

THE WARRANTIES SET FORTH ABOVE ARE IN LIEU OF ALL OTHER WARRANTIES, EXPRESSED OR IMPLIED, INCLUDING WITHOUT LIMITATION, ANY WARRANTY OF MERCHANTABILITY OR FITNESS FOR A PARTICULAR PURPOSE, AND ALL SUCH OTHER WARRANTIES ARE HEREBY DISCLAIMED AND EXCLUDED BY LIBERTY

Alarmas para interiores serie ALM

Características del producto:

- Gabinete NEMA 1: clasificado para uso en interiores únicamente
- Reestablecimiento automático de la alarma y del silenciador de la alarma
- Baliza roja indicadora de alarma de 360 °.
- 4 pies (1.2 m) cable de alimentación
- Reserva de batería de 9 V con indicador de batería baja
- Conector preinstalado en sensor de nivel para instalación inmediata
- Contactos secos auxiliares para activar la alarma externa
- Múltiples opciones de detección de nivel disponibles
- Conectividad a internet disponible con dispositivos NightEye® habilitados



NO TIRES NI PIERDA ESTE MANUAL.

Índice

Información de seguridad.....	1
Información general	2
Instalación	3
Operación	4
Garantía	5

Modelos incluidos

Modelos estándar

ALM-P1

ALM-2

ALM-2-1

ALM-PK

SJ10A

Modelos inalámbricos NightEye®

ALM-P1-EYE

ALM-2-EYE

ALM-2-1-EYE

ALM-PK-EYE

Información de seguridad



RIESGO DE DESCARGA ELÉCTRICA

NUNCA entre a un espacio inundado sin equipo de protección personal (Personal Protective Equipment, PPE) adecuado. Siempre use botas de hule dieléctricas y otro equipo de protección, según corresponda, cuando haya agua en el piso y deba dar mantenimiento a una bomba energizada o a un sistema de alarma.

NUNCA instale este sistema de alarma en exteriores. El sistema está clasificado para uso en interiores únicamente.

NO entre al agua si el nivel del agua es superior a la protección que le brinda su PPE o si su PPE no es impermeable.

DESCONECTE LA ELECTRICIDAD antes de instalar este producto o realizar su mantenimiento. Un técnico calificado deberá instalar y hacer el mantenimiento de este producto conforme a los códigos eléctricos y de plomería pertinentes.



RIESGO DE INCENDIO

NUNCA use este producto con o cerca de líquidos inflamables.

NO instale este producto en lugares clasificados como peligrosos o en entornos explosivos, como se define en cualquier código de seguridad eléctrica aplicable.



Si no se siguen estas precauciones, se podrían sufrir lesiones graves o la muerte. Reemplace de inmediato el producto si se cortan o se dañan el sensor o el cable de alimentación. Guarde estas instrucciones en un lugar seguro para que le sirvan de referencia en el futuro. Este producto debe instalarse conforme a las disposiciones del Código Eléctrico Nacional ANSI/NFPA 70 para impedir que penetre la humedad o se acumule dentro de cajas de derivación, cuerpos de canal, uniones, la caja de flotador, el gabinete de la alarma o el cable.

Información general

Antes de su uso, lea con atención las siguientes instrucciones. Cada sistema de alarma de Liberty Pumps se prueba de manera individual en la fábrica para asegurar el rendimiento y funcionamiento correctos. Siga estas instrucciones al pie de la letra para prevenir problemas de funcionamiento y conseguir muchos años de servicio satisfactorio.

Este sistema de alarma de alto nivel de agua está diseñado para aplicaciones como el monitoreo de bombas de sumidero, bombas sumergibles para aguas residuales y bombas auxiliares de alimentación de agua. El sistema de alarma es estándar con una reserva de batería de 9 V para habilitar el monitoreo continuo del nivel de agua, incluso cuando la alimentación se apaga. Un monitor de batería integrado alerta al usuario cuando la batería de 9 V tiene que reemplazarse.

Los dispositivos *NightEye*® habilitados están equipados con conectividad inalámbrica a la Internet. Estos dispositivos pueden conectarse a su red inalámbrica, por medio de un dispositivo Android® o iOS®, y enviar notificaciones sobre su sistema en tiempo real. El sistema puede dar tranquilidad sobre el estado de su sistema de bombas de sumidero, incluso cuando no esté en casa.

Todas las alarmas son estándar con la baliza roja de alarma de 360 °, con patente pendiente, de Liberty Pumps alimentada por LED superbrillantes. En combinación con una sirena de alarma de 86 decibelios (a 10 pies \[3 m]), es seguro que la alarma alerte a los ocupantes sobre una situación de alto nivel de agua.

Cada dispositivo está específicamente diseñado para su uso en aplicaciones de aguas residuales en el interior de una vivienda. El sistema incluye sensores de nivel de líquido que se ajustan a las necesidades de la aplicación deseada. Los tipos de sensores son los siguientes:

- Flotador cerrado que se instala con un clic: (ALM-P1, ALM-P1-EYE, SJ10A, SJ10A-EYE) - Aplicaciones de bombas de sumidero
- Flotador conectado: (ALM-2, ALM-2-1, ALM-2-EYE, ALM-2-1-EYE) - Aplicaciones de bombas sumergibles para aguas residuales
- Disco de agua- (ALM-PK, ALM-PK-EYE) - Detección de charcos

Instalación



RIESGO DE DESCARGA ELÉCTRICA

NUNCA instale este sistema de alarma en exteriores. El sistema está clasificado para uso en interiores únicamente.

Instalación del gabinete

- 1) Seleccione la ubicación de montaje en un interior para colocar la alarma. Liberty Pumps recomienda una ubicación entre 48 pulgadas (1.2 m) y 66 pulgadas (1.7 m) sobre el nivel del piso.
- 2) Usando la plantilla proporcionada en la cubierta posterior de este manual, marque la ubicación de los tornillos en la superficie de montaje.
- 3) Si la ubicación de los tornillos **NO** está directamente sobre un pilar, o si la alarma se montará sobre un muro de mampostería, se recomienda el uso de los anclajes proporcionados. Se debe hacer un hoyo de A 3/16 de pulgada (5mm) con un taladro antes de introducir el anclaje a la pared.
- 4) Monte el gabinete de la alarma en la pared usando los anclajes y tornillos proporcionados (cuando corresponda).

Instalación del sensor

Sensor de bomba de sumidero

- 1) Saque el sensor de bomba de sumidero del empaque.
- 2) Aplique una pequeña cantidad de pegamento dentro del dispositivo para instalar el sensor. **NOTA: Si pone demasiado pegamento al sensor, será muy difícil quitarlo posteriormente.**
- 3) Instale el sensor sobre el tubo de descarga de su bomba de sumidero como se muestra en la **Figura 1**.
- 4) Encamine el cable del sensor hacia afuera del hoyo de la fosa del sumidero y conéctelo a la parte inferior del gabinete de la alarma. Vea la **Figura 3**.

Sensor de bombas para aguas residuales

- 1) Coloque el cable del interruptor del flotador en la abrazadera como se muestra en la **Figura 2**.
- 2) Ubique la abrazadera en el nivel de activación deseado y asegure la abrazadera al tubo de descarga de la bomba como se muestra en la **Figura 2**.

Nota: No instale el cable debajo de la abrazadera de la manguera.

- 3) Apriete la abrazadera de manguera con un destornillador. Apretar de más puede dañar la abrazadera de plástico. Asegúrese de no permitir que el cable del flotador toque el exceso de banda de la abrazadera de la manguera durante la operación.

Nota: Todos los componentes de la abrazadera de la manguera están hechos de acero inoxidable 18-8. Visite a su proveedor de Liberty Pumps® para conseguir repuestos.

- 4) Encamine el cable del sensor hacia afuera del hoyo de la fosa de aguas residuales y conéctelo a la parte inferior del gabinete de la alarma, asegurándose de que no interfiera con el funcionamiento del flotador principal de la bomba. Vea la **Figura 3**.

Sensor del disco de agua

- 1) Retire el sensor del disco de su empaque.
- 2) Coloque el sensor en la ubicación susceptible a la intrusión o acumulación de agua (por ejemplo, debajo del calentador de agua, cerca de la pileta de lavar la ropa, cerca de la pared problemática, etc.)
- 3) Dirija el cable del disco de agua de forma que no suponga un riesgo de tropiezos.
- 4) Enchufe el cable del disco de agua al conector del sensor ALM.
- 5) Pruebe la operación del disco de agua colocándolo en un pequeño charco o sosteniendo una toalla húmeda en su superficie inferior.

Para instalar hasta 3 sensores, utilice un bifurcador de alarmas Liberty (vendido aparte, Kit: K001633).

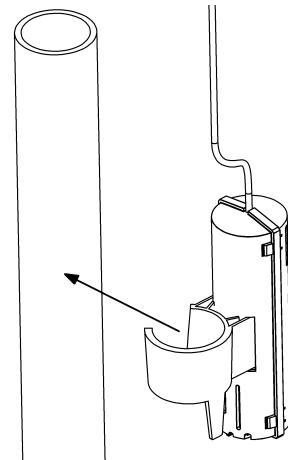


Figura 1

Instalación del sensor de la bomba de sumidero

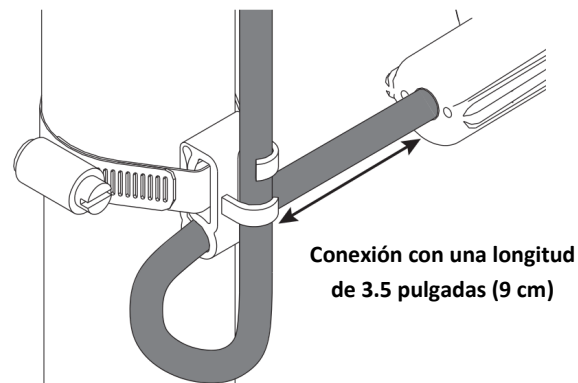


Figura 2

Instalación del sensor de la bomba para aguas residuales

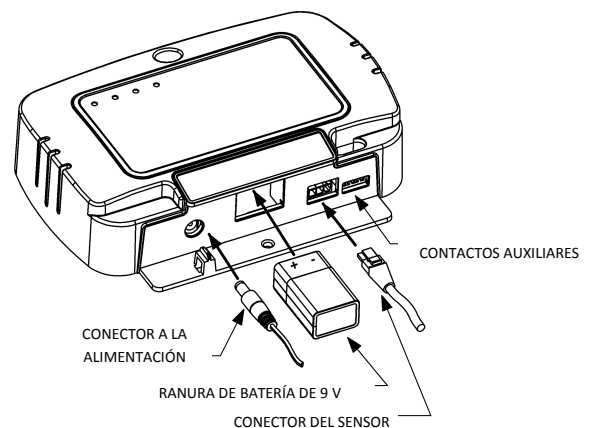


Figura 3

Ubicación de las conexiones en la parte inferior de la alarma. Tenga en cuenta la instalación de baterías de 9 V - prestando atención a la polaridad, la batería debe empujarse levemente para quedar en su lugar y ajustarse en el saliente de la parte inferior de la cámara de baterías.

Instalación (continuación)

Conectar a la alimentación

- 1) Conecte el adaptador de alimentación proporcionado a la alarma como se muestra en la Figura 3. Enchufe el adaptador de alimentación al receptáculo en la pared y verifique que el indicador verde de encendido ("power") se ilumine.
Nota: Se recomienda que la alarma esté conectada a un circuito separado del circuito de la bomba. Esto permite que la alarma continúe funcionando si falla el circuito de la bomba.
- 2) Instale la batería de 9 V como se muestra en la **Figura 3 (página anterior)**. Prestando atención a la polaridad, la batería debe empujarse levemente para quedar en su lugar y ajustarse en el saliente de la parte inferior de la cámara de baterías.

Nota: Debe haber una batería de 9V instalada en el dispositivo en todo

Configuración de NightEye®

Si su dispositivo está habilitado para NightEye®, este es el momento para configurar el dispositivo para conectarse a su red inalámbrica.

Para ver las instrucciones de configuración, consulte la guía de inicio rápido de NightEye® que incluye su dispositivo. Si se perdió o se dañó la guía de inicio rápido, en LibertyPumps.com hay copias electrónicas disponibles.

Pruebas de la alarma

Sensor de bomba de sumidero

Este interruptor es una unidad independiente. Es posible que el flotador interno no sea visible desde el exterior de la carcasa del interruptor. El interruptor debe colocarse de tal manera que el punto de activación (**Figura 5**) esté ligeramente más arriba que el punto de activación de la bomba.

- 1) Para probar el funcionamiento correcto del interruptor del flotador, recomendamos elevar el nivel de agua en la fosa del sumidero por encima del nivel normal de funcionamiento. Si no es factible elevar el nivel del agua, se puede usar un vaso de agua para confirmar el funcionamiento del flotador.
- 2) Cuando el nivel de agua alcance la marca más baja en el lado de la carcasa del flotador, se activará la alarma. (**Figura 5**)
- 3) Una vez que la alarma comience a sonar, seguirá sonando hasta que el nivel del agua disminuya. La alarma sonora se puede silenciar presionando en botón silenciar (**Silence**) al frente del dispositivo (La alarma permanecerá silenciada durante 6 horas después de que se presione el botón)
- 4) Una vez que se complete la prueba, disminuya al rango normal el nivel de agua en la fosa.

Sensor de bombas para aguas residuales

- 1) Saque manualmente el flotador.
- 2) Una vez que la alarma comience a sonar, seguirá sonando hasta que se introduzca el flotador. La alarma sonora se puede silenciar presionando en botón silenciar (**Silence**) al frente del dispositivo (La alarma permanecerá silenciada durante 6 horas después de que se presione el botón.)
- 3) Regrese el flotador a su posición de reposo para restablecer la alarma.

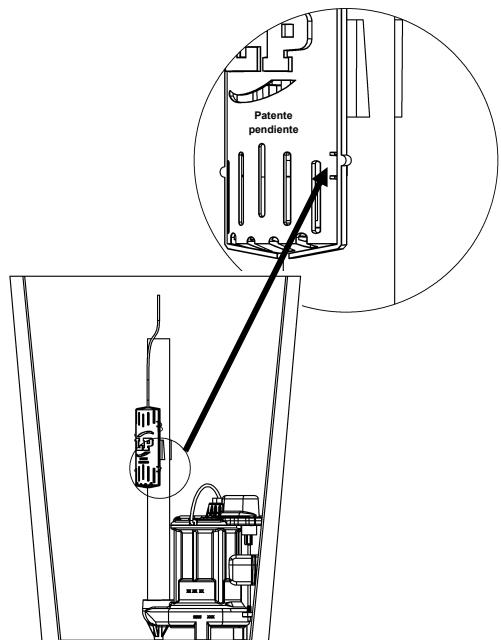
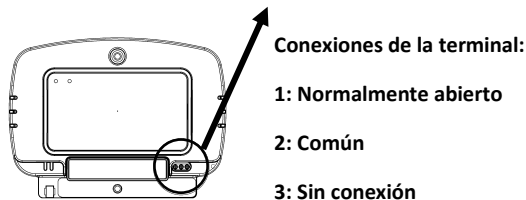
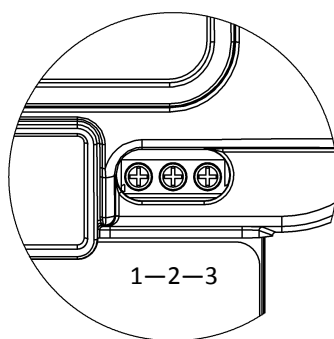


Figura 5

Prueba del sensor de líquido de la bomba de sumidero



Conexiones de la terminal:

1: Normalmente abierto

2: Común

3: Sin conexión

Figura 6

Conexiones de contacto auxiliares

NOTA: 24 VDC/VAC, 500 mA MAX

Instalación (continuación)

Contactos auxiliares

Este dispositivo viene equipado con contactos auxiliares. Estos contactos pueden usarse para integrar la salida de esta alarma con un sistema de vigilancia del hogar existente. Vea la **Figura 6** para consultar el diagrama de conexiones de contacto.

Clasificación del contacto: Clase 2, 24 VDC/VAC (50/60 HZ) 500 mA MÁXIMO

Funcionamiento regular

Ahora que ya se configuró y probó su alarma, está lista para comenzar a funcionar. A continuación, hay una lista de tareas de mantenimiento regular:

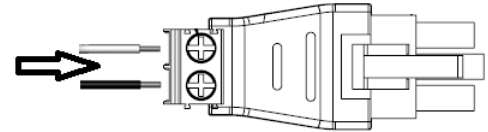
- Es altamente recomendable **probar** el sistema de alarma **cada 6 meses**. Siga el procedimiento descrito en la sección Pruebas de la alarma que se encuentra más arriba.
- En caso de que la batería de 9 V esté baja, la alarma emitirá un breve pitido dos veces por minuto aproximadamente. Se tendrá que reemplazar la batería de 9 V cada vez que el indicador amarillo de “batería baja” (low battery) de la alarma se prenda o cada 12 meses.

En caso de que el sistema detecte una condición de alarma, las alarmas sonora y visual se activarán. La característica de restablecimiento automático de la alarma apagará las alarmas sonora y visual una vez que se haya corregido la condición.

Adaptador de flotador

Si su sistema ya tiene una alarma flotante instalada y desea cambiarla por el flotador incluido en su producto de la serie Liberty ALM, puede usar el adaptador de bloque terminal incluido.

- 1) Gire ambos tornillos del adaptador en sentido antihorario, hasta que los receptáculos del conductor estén completamente abiertos.
- 2) Inserte los conductores de flotación en el adaptador, uno por receptáculo. La polaridad no importa.
- 3) Ajuste los tornillos del adaptador de flotador hasta que lleguen a su fin.
- 4) Inserte el adaptador de flotador en el conector de su alarma de la serie Liberty ALM.



Garantía limitada por 3 años

Liberty Pumps, Inc. garantiza que sus productos están libres de defectos de fabricación en los materiales y la mano de obra por un periodo de 3 años a partir de la fecha de compra. La fecha de compra se determinará con el recibo de compra fechado, que incluya el modelo y el número de serie de la bomba. Este recibo deberá acompañar a la bomba si la fecha de devolución ocurre más de 3 años después de la fecha de fabricación (código-CODE) indicada en la placa de identificación de la unidad.

La única obligación del fabricante bajo esta garantía se limita a la reparación o el reemplazo de las piezas que el fabricante determine defectuosas, siempre que la pieza o el ensamblaje se devuelva al fabricante o a uno de sus centros de servicio autorizados con el porte pagado y que ninguno de los siguientes eventos que suponen la anulación de la garantía sucedieron.

El fabricante no tendrá obligación alguna bajo esta garantía si el producto no se instaló correctamente; si se desmontó, modificó, abusó o forzó; si el cable eléctrico se cortó, dañó o empalmó; si se redujo el tamaño del desagüe de la bomba; si la bomba se usó con agua más caliente de la temperatura anunciada, o agua con arena, cal, cemento, grava u otros elementos abrasivos; si la bomba se utilizó para bombear químicos o hidrocarburos; si un motor no sumergible se sometió a un exceso de humedad; o si se retiró la etiqueta con el número de serie y de código. Liberty Pumps, Inc. no se hace responsable de ninguna pérdida, daños o gastos causados por la instalación o uso de sus productos, o por daños indirectos, incidentales y consiguientes, incluidos los costos de desmontaje, reinstalación o transporte.

LAS GARANTÍAS ANTES EXPLICADAS SON EN LUGAR DE TODAS LAS OTRAS GARANTÍAS, EXPRESADAS O IMPLÍCITAS, QUE INCLUYEN SIN LIMITACIONES CUALQUIER GARANTÍA DE COMERCIABILIDAD O DE IDONEIDAD PARA UN PROPÓSITO EN PARTICULAR Y LIBERTY PUMPS, INC. RECHAZA Y EXCLUYE TODAS ESAS GARANTÍAS POR MEDIO DE ESTE DOCUMENTO.

Alarmes intérieures série ALM

Caractéristiques du produit :

- Enceinte NEMA 1 : homologuée pour usage intérieur seulement.
- Réinitialisation de l'alarme automatique et de l'alarme silencieuse
- Voyant rouge d'alarme 360 °
- Cordon d'alimentation de 1,2 m (4 pi)
- Pile auxiliaire de 9 V avec indicateur de pile faible
- Raccordement du détecteur de niveau préinstallé pour installation prête à l'emploi
- Contacts secs auxiliaires pour le déclenchement de l'alarme extérieure
- Options de détecteur à plusieurs niveaux disponibles
- Connectivité Internet offerte pour les appareils compatibles avec NightEye^{MD}



**NE PAS JETER NI
PERDRE CE MANUEL**

Table des matières

Renseignements de sécurité	1
Renseignements généraux	2
Installation	3
Fonctionnement	4
Garantie	5

Modèles couverts

Modèles standard

ALM-P1

ALM-2

ALM-2-1

ALM-PK

SJ10A

Modèles compatibles avec NightEye^{MD} sans fil

ALM-P1-EYE

ALM-2-EYE

ALM-2-1-EYE

ALM-PK-EYE

Renseignements de sécurité



DANGER D'ÉLECTROCUTION

Ne JAMAIS pénétrer dans un espace inondé sans porter un équipement de protection personnel adéquat. Toujours porter des bottes de caoutchouc diélectrique et d'autres accessoires de protection lorsque le plancher est mouillé et qu'il faut effectuer l'entretien d'une pompe ou d'un système d'alarme sous tension.

Ne jamais installer ce système d'alarme à l'extérieur. Le système est homologué pour usage intérieur seulement.

Ne PAS pénétrer dans l'eau si le niveau est supérieur au niveau de protection assuré par l'équipement de protection personnel ou si celui-ci n'est pas étanche.

COUPER L'ALIMENTATION ÉLECTRIQUE avant d'installer ce produit ou d'effectuer des travaux d'entretien. L'installation et l'entretien de ce produit doivent être effectués par un technicien qualifié dans le respect des codes d'électricité et de plomberie en vigueur.



DANGER D'INCENDIE

NE PAS utiliser ce produit pour pomper des liquides inflammables ou à proximité.

Ne PAS installer ce produit dans des lieux identifiés comme dangereux ni dans des atmosphères explosives, telles que définies par le code de sécurité électrique en vigueur.



La négligence de ces précautions peut causer des blessures graves ou la mort. Remplacer ce produit immédiatement si le détecteur ou le câble d'alimentation est endommagé ou rompu. Conserver ces directives dans un endroit sûr afin de pouvoir les consulter ultérieurement. Ce produit doit être installé dans le respect du National Electric Code, ANSI/NFPA 70, afin de prévenir l'infiltration et l'accumulation d'humidité dans les boîtes de jonction, les conduites, les raccords, le boîtier du flotteur, l'enceinte de l'alarme ou le câble.

Renseignements généraux

Prière de lire attentivement les directives avant d'utiliser ce produit. Chaque système d'alarme pour pompe Liberty est testé individuellement en usine pour assurer un bon rendement et fonctionnement. Le fait de suivre ces directives à la lettre éliminera les risques de problèmes de fonctionnement et assurera des années de service sans soucis.

Ce système d'alarme pour niveau d'eau élevé est conçu pour des applications comme la surveillance des bassins de pompes de puisard, des bassins de pompes de relevage ainsi que des pompes auxiliaires alimentées à l'eau. Le système d'alarme vient avec une pile de 9 V qui permet une surveillance continue du niveau d'eau, même en cas de panne de courant. Un système de surveillance de la pile intégré avertit l'utilisateur lorsque la pile 9 V doit être remplacée.

Les appareils compatibles avec *NightEye*^{MD} sont vendus avec connectivité Internet sans fil. Ces appareils peuvent se connecter à votre réseau sans fil par l'intermédiaire d'un appareil Android^{MD} ou iOS^{MD} et envoyer des notifications en temps réel au sujet du système. Ce système offre la tranquillité d'esprit au sujet de l'état du système de pompe de puisard, même en l'absence des propriétaires.

Toutes les alarmes viennent avec le voyant rouge d'alarme 360 ° de Liberty Pumps alimenté par des DEL super lumineuses en instance de brevet. Alliée à la sirène d'alarme de 86 dB (à 3 m ou 10 pi), ce système d'alarme avertira à coup sûr les occupants lorsque le niveau d'eau est élevé.

Ces systèmes sont vendus avec des détecteurs de niveau de liquide conformes aux besoins de l'installation prévue. Voici les types de détecteurs :

- Flotteur fermé enclenchable - (ALM-P1, ALM-P1-EYE, SJ10A, SJ10A-EYE) - Installations de pompes de puisard
- Flotteur attaché - (ALM-2, ALM-2-1, ALM-2-EYE, ALM-2-1-EYE) - Installations de pompes de relevage
- Rondelle de détection d'eau - (ALM-PK, ALM-PK-EYE) - Détecteur de flaque d'eau.

S'il est nécessaire de surveiller plusieurs enlacements, Liberty offre un diviseur permettant de raccorder jusqu'à 3 détecteurs (ensemble :

Installation



DANGER D'ÉLECTROCUTION

Ne JAMAIS installer ce système d'alarme à l'extérieur.
Le système est homologué pour usage intérieur seulement.

Installation de l'enceinte

- 1) Choisir un emplacement intérieur pour l'installation de l'alarme. Liberty Pumps recommande un emplacement se trouvant de 1,2 m (48 po) à 1,7 m (66 po) au-dessus du sol.
- 2) À l'aide du modèle fourni sur la couverture arrière de ce manuel, marquer l'emplacement des vis sur la surface d'installation.
- 3) Si les emplacements des vis ne se trouvent PAS directement sur un montant de charpente, ou si l'alarme doit être installée sur un mur de maçonnerie, il est recommandé d'utiliser les douilles d'ancrage fournies. Un trou de 5 mm (3/16 po) doit être percé avant d'insérer la douille dans le mur.
- 4) Fixer l'enceinte de l'alarme au mur à l'aide des douilles d'ancrage et des vis fournies (le cas échéant).

Installation du détecteur

Installation du détecteur

- 1) Retirer le détecteur pour pompe de puisard de son emballage.
- 2) Retirer le détecteur pour pompe de puisard de son emballage. **REMARQUE : Trop appliquer de colle sur le détecteur risque de rendre son retrait très difficile.**
- 3) Enclencher le détecteur sur le tuyau d'évacuation de la pompe de puisard tel qu'illustré à la **figure 1**.
- 4) Diriger le câble du détecteur vers l'extérieur du puisard et le raccorder au fond de l'enceinte de l'alarme. Voir la **figure 3**.

Détecteur de pompe de relevage des eaux usées

- 1) Placer le cordon de l'interrupteur à flotteur dans le collier de serrage, tel qu'illustré à la **figure 2**.
- 2) Localiser le collier de serrage au niveau d'activation désiré et le fixer sur le tuyau d'évacuation de la pompe tel qu'illustré à la **figure 2**.
Remarque : Ne pas installer le cordon sous le collier de serrage du tuyau.
- 3) Resserrer le collier de serrage à l'aide d'un tournevis. Trop serrer peut occasionner des dommages permanents au collier de serrage. S'assurer que le câble du flotteur ne puisse pas, pendant le fonctionnement, toucher à la portion du collier de serrage qui dépasse.
Remarque : Toutes les pièces du collier de serrage sont faites d'acier inoxydable 18-8. S'adresser au fournisseur Liberty Pumps^{MD} pour obtenir des pièces de rechange.
- 4) Diriger le câble du détecteur vers l'extérieur de la fosse de rétention des eaux usées et le raccorder au fond de l'enceinte de l'alarme en s'assurant qu'il ne nuit pas au fonctionnement du flotteur de la pompe principale. Voir la **figure 3**.

Rondelle de détection d'eau

- 1) Retirer le détecteur en forme de rondelle de son emballage.
- 2) Placer le détecteur à l'endroit où une infiltration ou une accumulation d'eau est susceptible de se produire (par exemple : sous un chauffe-eau, près d'un évier à lessive, près d'un mur de fondation fissuré, etc.)
- 3) Diriger le câble de la rondelle de détection d'eau de manière à ce qu'il ne risque pas de causer de trébuchement.
- 4) Brancher le câble de la rondelle de détection d'eau dans le connecteur du détecteur ALM.
- 5) Vérifier le fonctionnement de la rondelle de détection d'eau en l'installant dans une petite flaque d'eau ou en plaçant une serviette humide sous sa surface inférieure.

Pour installer jusqu'à 3 détecteurs, utiliser un diviseur de connecteur d'alarme Liberty (vendu séparément, ensemble : K001633).

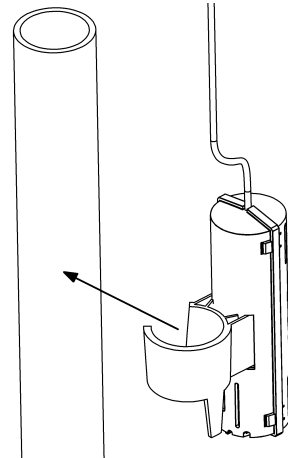


Figure 1

Installation du détecteur de la pompe de puisard

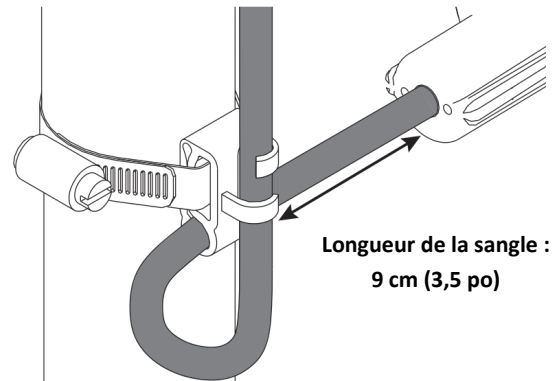


Figure 2

Installation du détecteur de la pompe de système d'égout

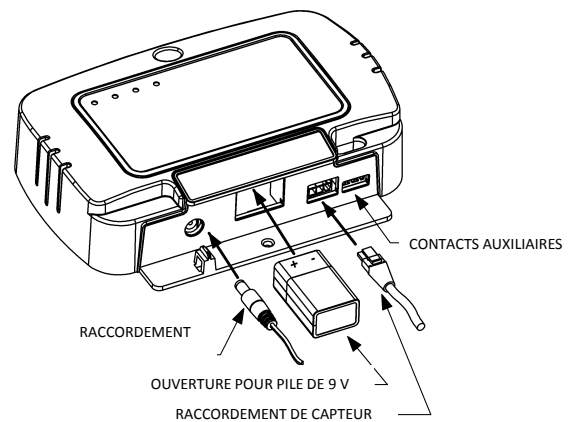


Figure 3

Emplacements de raccordement au fond du module de l'alarme. Remarque l'installation de la pile de 9 V, en portant attention à la polarité. La pile doit pouvoir être poussée délicatement en place et l'enclencher au fond du compartiment à pile.

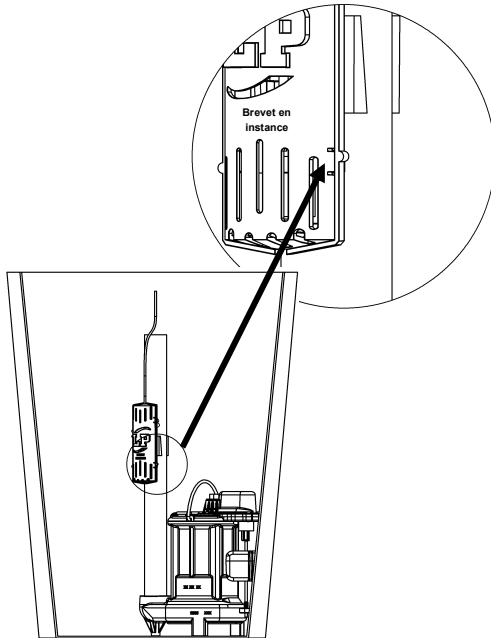


Figure 5

Détecteur de liquide pour
pompe de puisard

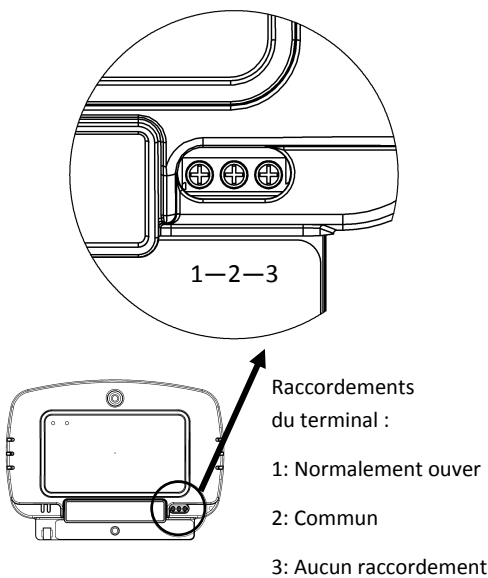


Figure 6

Raccordements de contact auxiliaire

REMARQUE : 24 V CC/V CA, 500 mA MAX

Rétablir l'alimentation électrique

- 1) Raccorder l'adaptateur d'alimentation électrique au module de l'alarme tel qu'illustré à la figure 3. Brancher l'adaptateur d'alimentation électrique dans la prise murale et s'assurer que le témoin vert d'alimentation s'allume.

Remarque : Il est recommandé de raccorder l'alarme à un circuit distinct de celui de la pompe. Cela permet à l'alarme de continuer de fonctionner en cas de panne du circuit de la pompe.

- 2) Installer la pile de 9 V, tel qu'illustré à la **figure 3 (page précédente)**. En faisant attention à la polarité, la pile doit pouvoir être poussée délicatement en place et l'enclencher au fond du compartiment à pile.

Remarque : Une pile de 9 V doit être installée en tout temps dans l'appareil afin d'assurer son bon fonctionnement.

Configuration de NightEye^{MD}

Si votre appareil est compatible avec NightEye^{MD}, le moment est venu de le configurer pour le relier au réseau sans fil.

Consulter le guide de démarrage rapide de NightEye^{MD} fourni avec l'appareil pour connaître les directives de configuration. Si le guide de démarrage rapide est perdu ou endommagé, des exemplaires électroniques sont disponibles à LibertyPumps.com.

Vérification de l'alarme

Détecteur pour pompe de puisard

Le commutateur est un module autonome. Le flotteur interne peut être invisible à partir de l'extérieur du boîtier de l'interrupteur. L'interrupteur doit être disposé de manière à ce que le point d'activation (**figure 5**) soit légèrement au-dessus du point d'activation de la pompe.

- 1) Afin de vérifier le bon fonctionnement de l'interrupteur à flotteur, nous recommandons d'élever le niveau d'eau du puisard au-dessus de son niveau de fonctionnement normal. S'il est impossible d'élever le niveau d'eau, on peut utiliser une tasse d'eau pour confirmer le fonctionnement du flotteur.
- 2) Lorsque le niveau d'eau atteint la marque inférieure située sur le côté du boîtier du flotteur, l'alarme se met en marche. (**Figure 5**)
- 3) L'alarme continue à se faire entendre jusqu'à ce que le niveau d'eau s'abaisse. Il est possible d'éteindre l'alarme sonore en utilisant le bouton **Silence** à l'avant de l'appareil. (L'alarme demeure silencieuse pendant six heures avec le bouton de silence.)
- 4) Une fois la vérification terminée, abaisser le niveau d'eau dans le puisard à son niveau normal.

Détecteur de pompe de relevage des eaux usées

- 1) Relever manuellement le flotteur.
- 2) L'alarme se met en marche et continue à se faire entendre jusqu'à ce que le flotteur soit abaissé. Il est possible d'éteindre l'alarme sonore en utilisant le bouton **Silence** à l'avant de l'appareil. (L'alarme demeure silencieuse pendant six heures avec le bouton de silence.)
- 3) Abaisser le flotteur à sa position de repos afin de réinitialiser l'alarme.

Installation (suite)

Contacts auxiliaires

Cet appareil est vendu avec contacts auxiliaires. Ces contacts peuvent servir à intégrer les données de cette alarme à un système de surveillance domestique. Consulter la **figure 6** présentant le schéma des contacts de raccordement.

Évaluation des contacts : catégorie 2, 24 V CC/V CA (50/60 HZ) 500 mA MAXIMUM

Fonctionnement normal

Maintenant que l'alarme a été configurée et vérifiée, elle est prête à fonctionner. Voici une liste de tâches d'entretien périodique à effectuer :

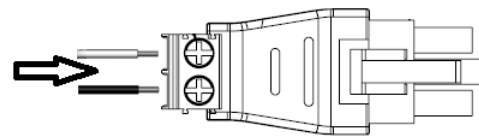
- Il est fortement recommandé de **vérifier le système d'alarme tous les six mois**. Suivre la méthode décrite dans la section de vérification de l'alarme ci-dessus.
- Lorsque la charge de la pile de 9 V devient faible, l'alarme émet un bref couinement deux fois par minute. La pile de 9 V doit être remplacée lorsque le témoin jaune de pile faible s'allume sur le module de l'alarme ou tous les 12 mois.

Les signaux sonores et visuels s'activent lorsque le système détecte une situation d'alarme. La fonction de réinitialisation automatique de l'alarme éteint les signaux d'alarme sonores et visuels une fois la situation rétablie.

Adaptateur de flotteur

Si le système dispose déjà d'une alarme à flotteur et qu'il n'est pas souhaitable de le remplacer par le flotteur fourni avec cet appareil Liberty ALM, il est possible d'utiliser l'adaptateur de plaque à bornes inclus.

- 1) Tournez les deux vis de l'adaptateur de flotteur dans le sens contraire des aiguilles d'une montre, jusqu'à ce que les prises du conducteur soient complètement ouvertes.
- 2) Insérez les conducteurs du flotteur dans l'adaptateur du flotteur, un conducteur par prise. La polarité importe peu.
- 3) Resserer entièrement les vis de l'adaptateur de flotteur.
- 4) Insérez l'adaptateur du flotteur dans le connecteur de l'alarme de l'appareil Liberty ALM.



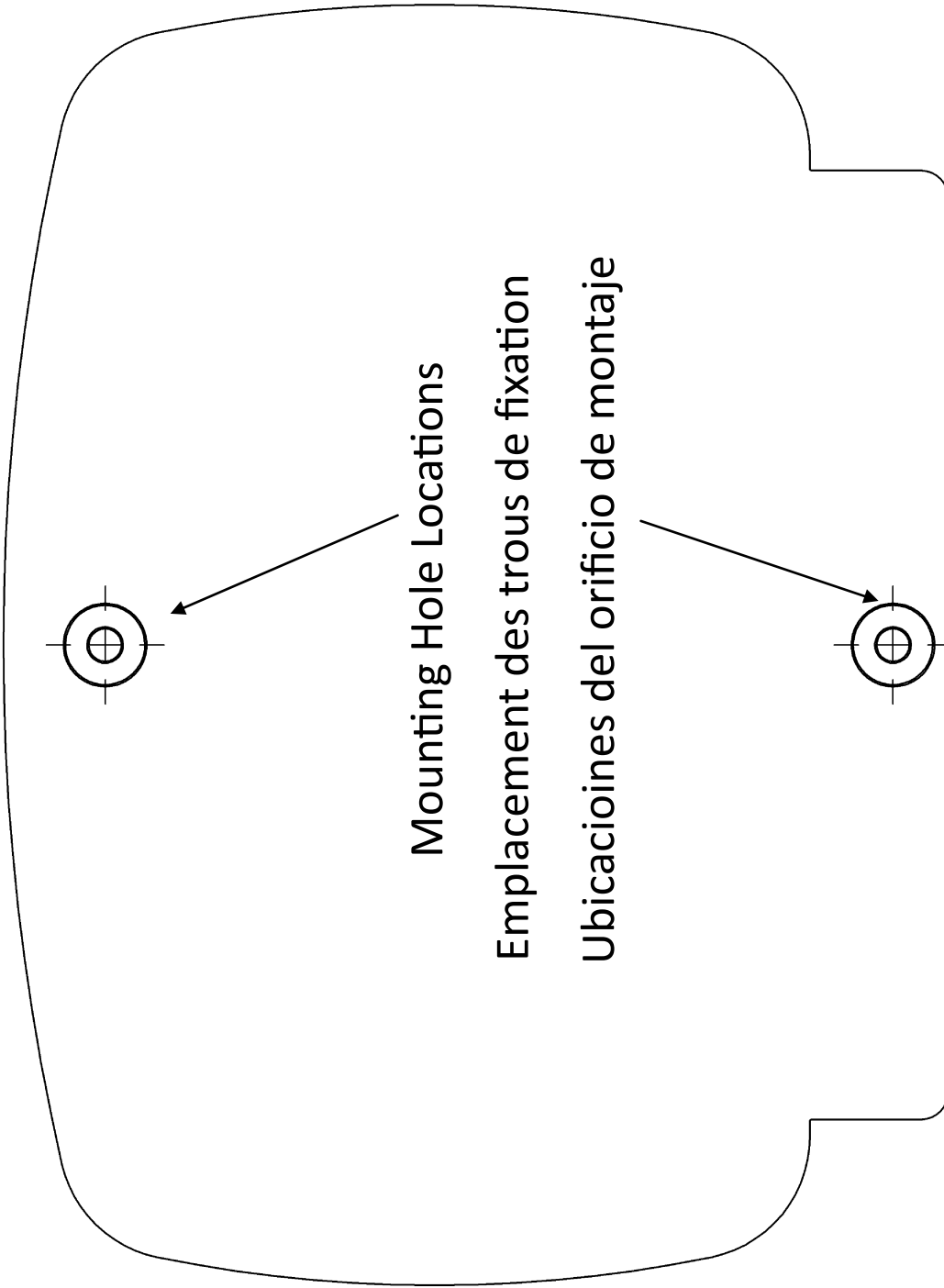
Garantie limitée de trois ans

Liberty Pumps, Inc. garantit que ses produits sont exempts de tout défaut de matériau et de fabrication pour une période de trois ans à partir de la date d'achat. La date d'achat sera établie par une facture d'achat datée indiquant les numéros de modèle et de série de la pompe. La pompe retournée doit être accompagnée de la facture d'achat datée si la date de retour précède ou suit de plus de trois ans le numéro « CODE » (date de fabrication) figurant sur la plaque signalétique de la pompe.

L'unique obligation de garantie du fabricant se limite à la réparation ou au remplacement de toute pièce jugée défectueuse par le fabricant, à condition que la pièce ou l'appareil soient retournés, port payé d'avance, au fabricant ou à son centre de service autorisé et à condition qu'il n'y ait aucune preuve que les événements suivants annulant la garantie sont en cause.

Le fabricant ne peut en aucun cas être tenu responsable, selon les dispositions de cette garantie, si le produit n'a pas été correctement installé, s'il a été démonté, modifié, soumis à un usage abusif ou endommagé, si le cordon électrique a été coupé, endommagé ou ligaturé, si la taille du tuyau d'évacuation de la pompe a été réduite, si la pompe a été utilisée pour pomper de l'eau d'une température supérieure aux recommandations ci-dessus ou de l'eau contenant du sable, de la chaux, du ciment, du gravier ou d'autres matières abrasives, si le produit a été utilisé pour pomper des produits chimiques ou des hydrocarbures, si un moteur non submersible a été exposé à de l'humidité excessive ou si l'étiquette portant le numéro de série, de modèle et de code a été retirée. Liberty Pumps, Inc. ne pourra être tenue responsable des pertes, des dommages, des frais attribuables à l'installation ou à l'utilisation de ses produits ni des dommages indirects, accessoires ou consécutifs, y compris les coûts de retrait, de réinstallation ou de transport.

LES GARANTIES DÉCRITES CI-DESSUS SONT EXCLUSIVES ET REMPLACENT TOUTE AUTRE GARANTIE, EXPRESSE OU IMPLICITE, Y COMPRIS LES GARANTIES DE QUALITÉ MARCHANDE ET D'APTITUDE À UNE FIN PARTICULIÈRE, SANS SE LIMITER À CELLES-CI. DE TELLES AUTRES GARANTIES SONT PAR LES PRÉSENTES EXCLUES ET REJETÉES PAR LIBERTY PUMPS, INC.



Mounting Hole Locations

Emplacement des trous de fixation

Ubicaciones del orificio de montaje