

**Part No:** 808-005C

**Schedule 80 PVC & CPVC**

**Elbow**

**Desc:** 1/2 CPVC 90 ELL FPT SCH80

**MSRP:** 10.41

**Part Code:** 090

**Weight(lbs):** 0.084

**Weight(kg):** 0.038

**Weight(gm):** 38

**Size:** 1/2"

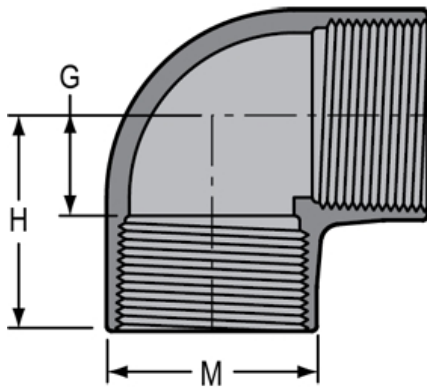
**Color:** GRAY

**Material:** CPVC

**Connection** Fipt x Fipt

**Angle** 90°

**Type** Standard



$G = 1/2$

$H = 1 - 7/32$

$M = 1 - 9/32$

## Injection Molded Dimension References:

**G** = (LAYING LENGTH) intersection of center lines to bottom of socket/thread; 90° elbows, tees, crosses; ± 1/32 inch.

**H** = Intersection of center lines to face of fitting; 90° elbows tees, crosses; ± 1/32 inch.

**J** = Intersection of center lines to bottom of socket/thread; 45° elbows; ± 1/32 inch

**L** = Overall length of fittings; ± 1/16 inch.

**M** = Outside diameter of socket/thread hub; ± 1/16 inch.

**N** = Socket bottom to socket bottom; couplings; ± 1/16 inch.

**W** = Height of cap; ± 1/16 inch

## Typical Molded Dimension References

