

Play Action®

# Monkey Ring Kit

## Building Instructions



Shown With Components  
(Purchase Separately):  
(1) Climbing Rope (PS 7828)  
(1 set) Climbing Rocks (PS 7830)

*Your tower may be different than shown. When adding to a PlayStar Playset, follow the instructions included in your original building kit.*

### **Important!**

Intended for residential use by children ages 2 to 10, only on properly installed PlayStar playsets. Before use refer to complete safety guidelines in your original playset, at [www.playstarinc.com](http://www.playstarinc.com), or at 1-888-752-9782.

### **Warning!**

Only one child, for each single planned seat or single planned activity should be allowed on this set at one time, with a maximum weight of **105 pounds** for each child.

### **Lumber and Screw Requirements**

- (2) 4" x 4" x 8'
- (3) 2" x 6" x 8'
- (1) 5/4" x 6" x 10'
- (2) 5/4" x 6" x 8'
- (5) 2" x 4" x 8'
- (140) #8 x 2½" Deck Screws

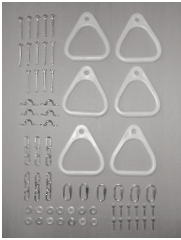
**We're Here To Help!**

Call Toll Free **1-888-752-9782**  
Customer Service: Monday - Friday, 8:00 A.M. to 5:00 P.M. C.S.T.

**PS 7744**

# CONTENTS

# TOOLS REQUIRED

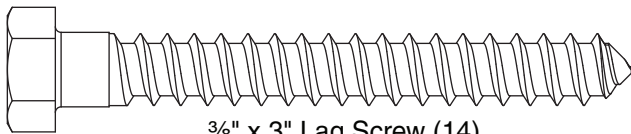


**Monkey Ring Kit** contains:  
 (6) Monkey Rings  
 (6) Chains  
 (6) Monkey Ring Hangers  
 (6) Quick Links  
 Weather-resistant hardware

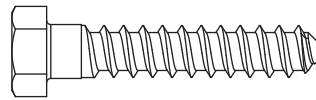
Socket Wrench  
 7/16" & 9/16" Socket  
 Adjustable Wrench  
 Ladder  
 Tape Measure  
 Safety Glasses  
 Drill

Square  
 Phillips Screwdriver  
 Saw  
 Hammer  
 1/8" & 1/4" Drill Bit  
 Pencil

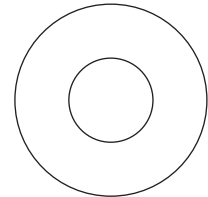
## HARDWARE INCLUDED (shown actual size)



3/8" x 3" Lag Screw (14)



1/4" x 1 1/2" Lag Screw (12)

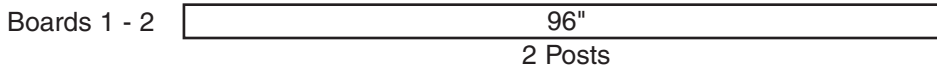


3/8" Washer (14)

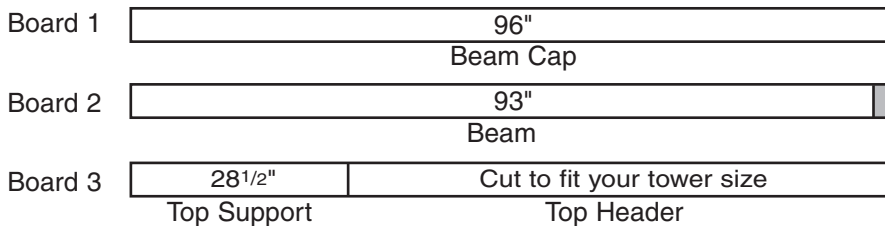
## MONKEY RING CUTTING GUIDE

MEASURE, MARK, AND IDENTIFY ALL LUMBER BEFORE CUTTING. CUT ALL LUMBER BEFORE BEGINNING CONSTRUCTION.

### 4" x 4" x 8' – two (2) boards required

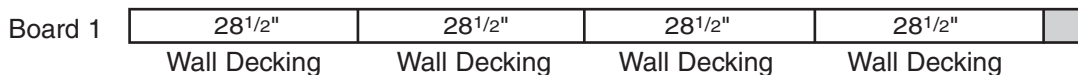


### 2" x 6" x 8' – three (3) boards required

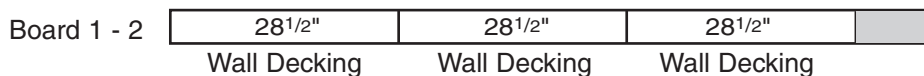


*Note: Cut the remainder of this board to the width of your tower where the Monkey Ring Kit will be installed.*

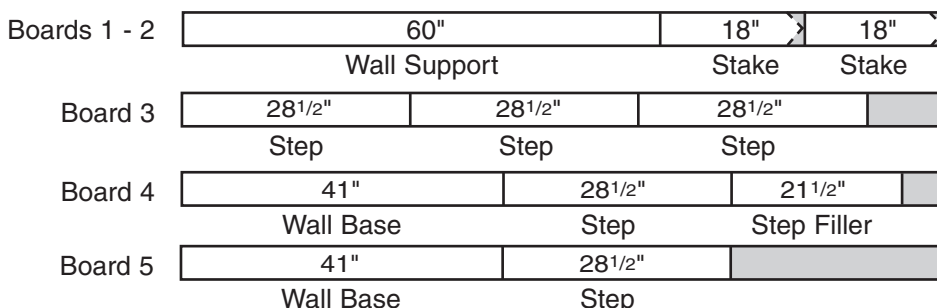
### 5/4" x 6" x 10' – one (1) board required



### 5/4" x 6" x 8' – two (2) boards required



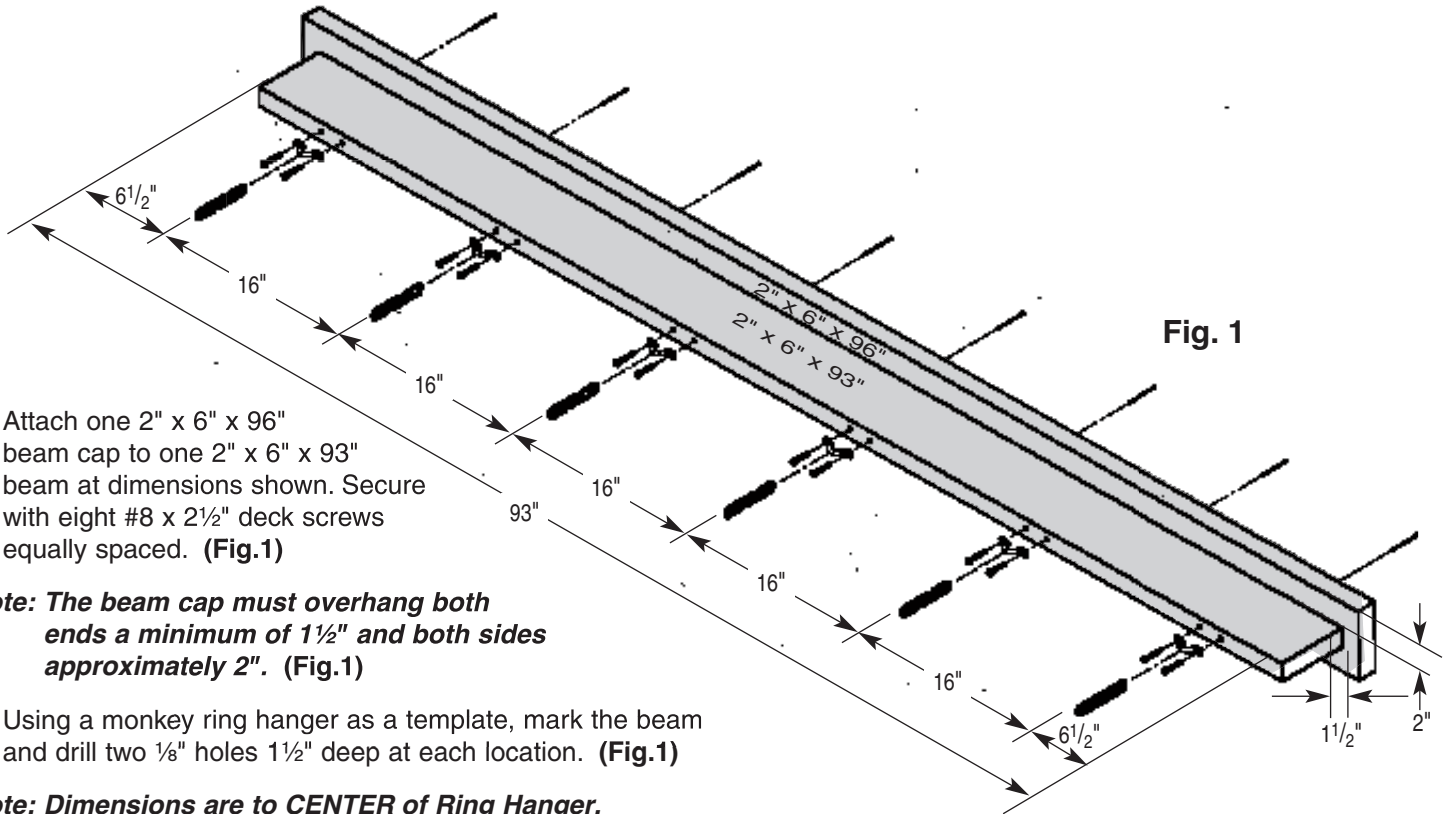
### 2" x 4" x 8' – five (5) boards required



**Note:** For stake angle cut, measure 1 3/4" from straight cut. Draw a line from measurement to center of straight cut.

# BUILDING INSTRUCTIONS

**Before starting to build your Play Action Set, make sure all boards are cut and identified by size and name.**



**Fig. 1**

1. Attach one 2" x 6" x 96" beam cap to one 2" x 6" x 93" beam at dimensions shown. Secure with eight #8 x 2½" deck screws equally spaced. **(Fig.1)**

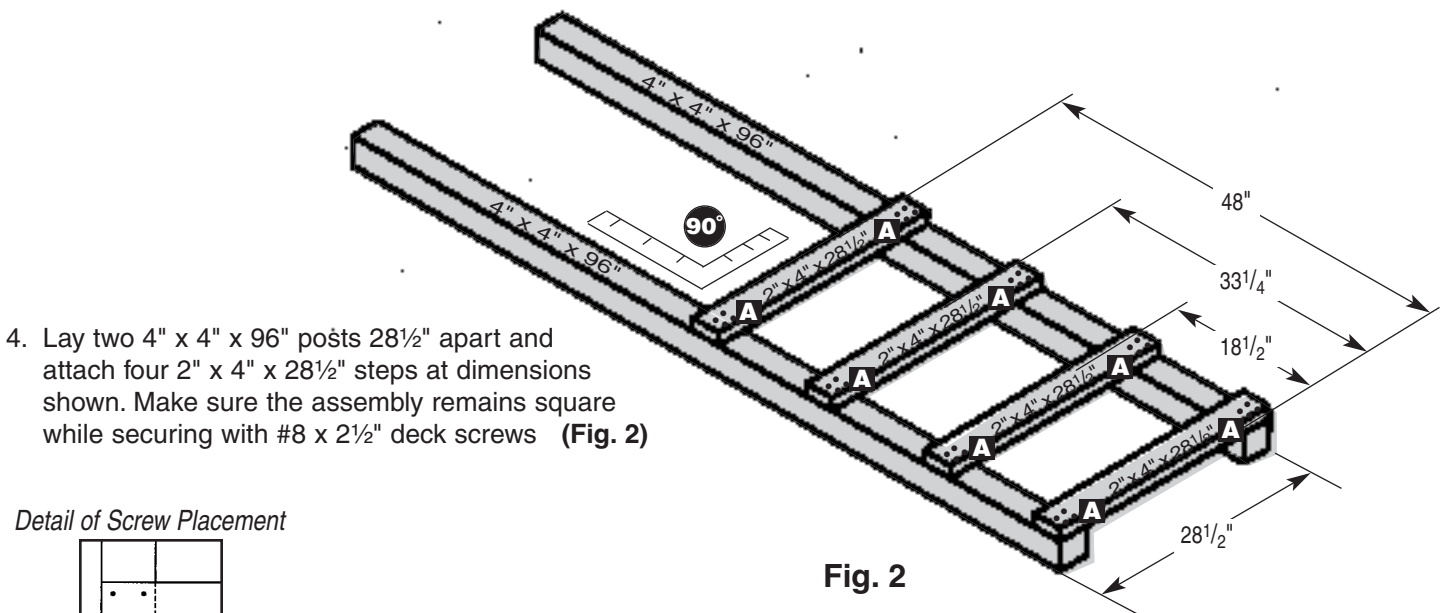
**Note: The beam cap must overhang both ends a minimum of 1½" and both sides approximately 2". (Fig.1)**

2. Using a monkey ring hanger as a template, mark the beam and drill two ⅜" holes 1½" deep at each location. **(Fig.1)**

**Note: Dimensions are to CENTER of Ring Hanger.**

3. Install six monkey ring hangers and six chains with two ¼" x 1½" lag screws each. **(Fig.1)**

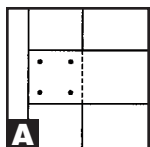
**Note: DO NOT connect the yellow monkey rings until the playset has been properly installed and is ready for use.**



**Fig. 2**

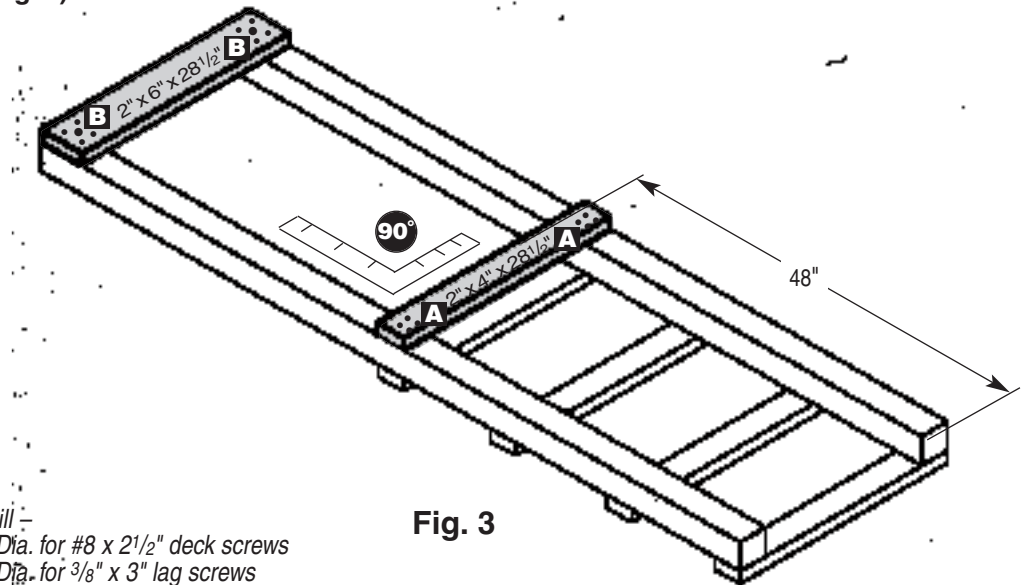
4. Lay two 4" x 4" x 96" posts 28½" apart and attach four 2" x 4" x 28½" steps at dimensions shown. Make sure the assembly remains square while securing with #8 x 2½" deck screws **(Fig. 2)**

*Detail of Screw Placement*

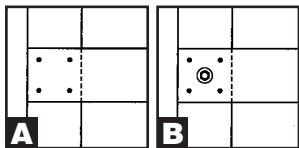


*Pre-drill – ⅜" Dia. for #8 x 2½" deck screws*

- Flip the step assembly over and attach one 2" x 4" x 28½" step at dimension shown. Be sure step is square with 4" x 4" posts. Secure step with eight #8 x 2½" deck screws. **(Fig. 3)**
- Attach one 2" x 6" x 28½" top support flush with top edge and outside of 4" x 4" posts. Be sure top support is square with 4" x 4" posts. Secure support with eight #8 x 2½" deck screws and two ⅜" x 3" lag screws with washers. **(Fig. 3)**



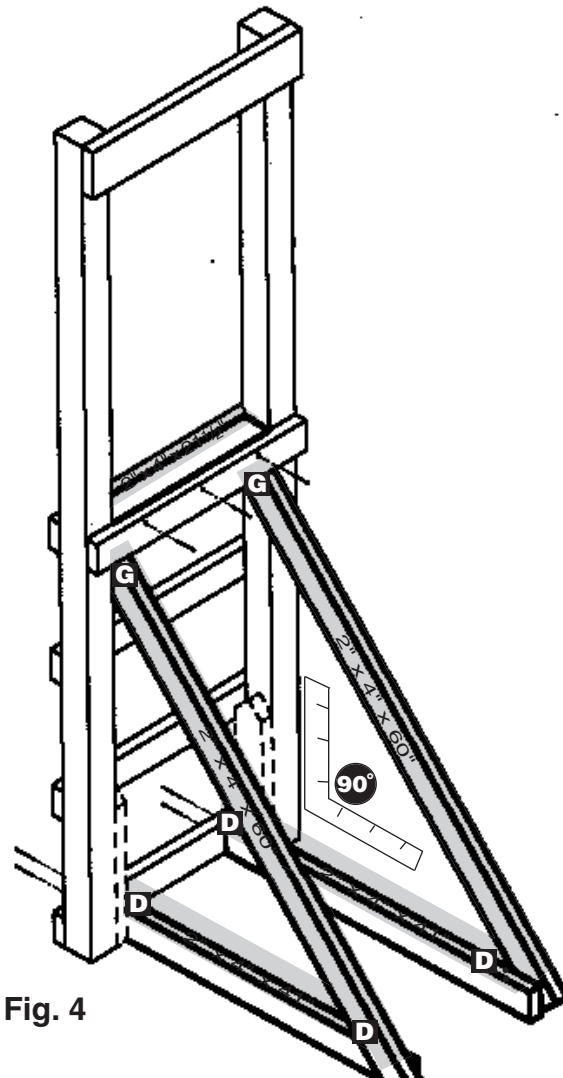
*Details of Screw Placement*



Pre-drill –  
 1/8" Dia. for #8 x 2½" deck screws  
 1/4" Dia. for ⅜" x 3" lag screws

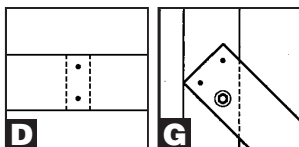
**Fig. 3**

- Install two 2" x 4" x 41" base boards to the bottom step of monkey ring support. Use a 2" x 4" x 18" stake for a temporary spacer to create proper alignment. **Note: These stakes will be installed here permanently at a later step.** Be sure base boards are square with monkey ring support. Secure with two #8 x 2½" deck screws each. **(Fig. 4)**
- Install two 2" x 4" x 60" wall supports. Position boards under top step of monkey ring assembly and flush with the bottom base boards. Keep assembly square. Secure the top end of wall support boards with two #8 x 2½" deck screws and one ⅜" x 3" lag screw each. Secure the bottom end of wall support boards to the base boards with two #8 x 2½" deck screws each. **(Fig. 4)**
- Install one 2" x 4" x 21½" step filler flush with top and between the top steps. Secure with three #8 x 2½" deck screws equally spaced each side. **(Fig. 4)**



**Fig. 4**

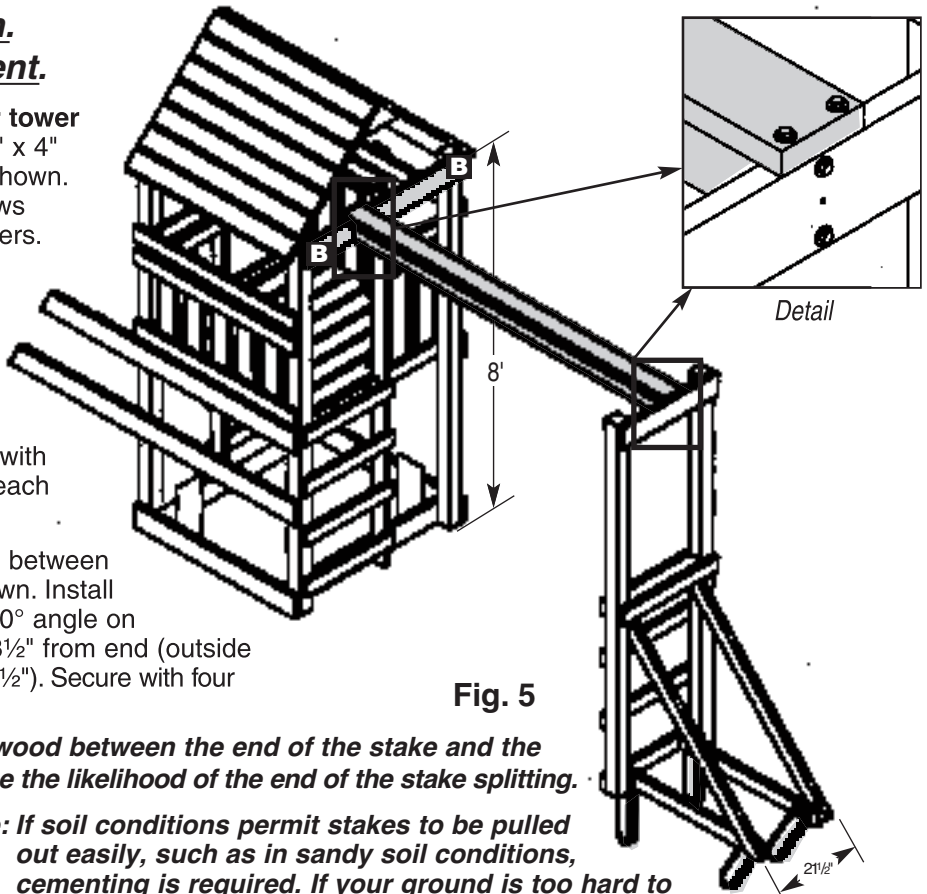
*Details of Screw Placement*



Pre-drill –  
 1/8" Dia. for #8 x 2½" deck screws  
 1/4" Dia. for ⅜" x 3" lag screws

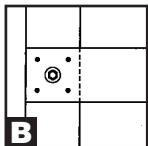
**A PlayStar Tower shown.**  
**Your Tower may be different.**

10. Install one top header (2" x 6" x your tower width) flush with top and outside of 4" x 4" posts. The top header must be 8' as shown. Secure with eight #8 x 2½" deck screws and two ⅜" x 3" lag screws with washers. (Fig. 5)
11. Position monkey ring support approximately eight feet from tower opening. Install beam assembly in the center of tower opening and monkey ring support. Attach with one #8 x 2½" deck screw and secure with four ⅜" x 3" lag screws and washers each end. (Fig. 5)
12. Install two 2" x 4" x 18" ground stakes between base boards and 4" x 4" posts as shown. Install two 2" x 4" x 18" ground stakes at a 30° angle on inside of base boards approximately 3½" from end (outside dimensions of wall support must be 21½"). Secure with four #8 x 2½" deck screws each. (Fig. 5)



**Fig. 5**

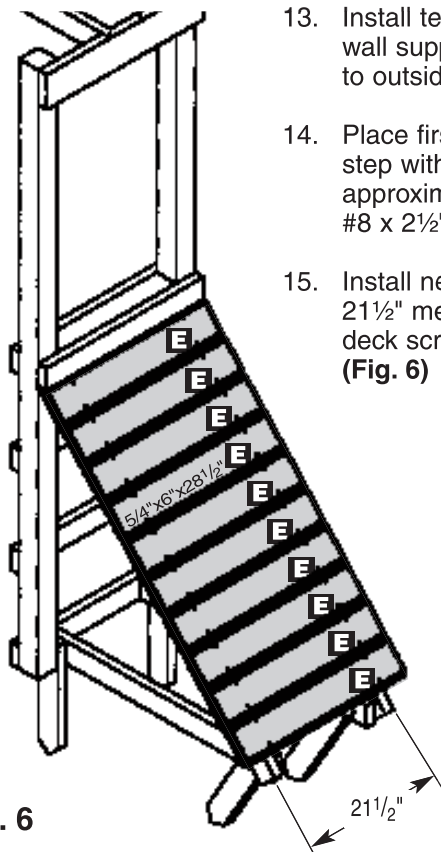
**Detail of Screw Placement**



Predrill –  
 ⅛" Dia. for #8 x 2½" deck screws  
 ¼" Dia. for ⅜" x 3" lag screws

**Note: Using a scrap of wood between the end of the stake and the hammer will reduce the likelihood of the end of the stake splitting.**

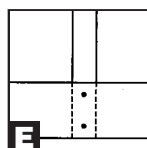
**Note: If soil conditions permit stakes to be pulled out easily, such as in sandy soil conditions, cementing is required. If your ground is too hard to pound in the stakes, you can remove the earth with a shovel. Install the stakes and compact the earth as you replace it. Stakes must be placed below the level of the shock-absorbing surfacing material to prevent tripping or injury resulting from a fall.**



**Fig. 6**

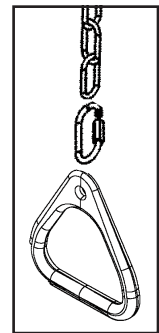
13. Install ten 5/4" x 6" x 28½" wall decking. Hold wall supports at 21½" apart (measured outside to outside). (Fig. 6)
14. Place first board tight against bottom of top step with equal overhang on both sides, approximately 3½". Secure with four #8 x 2½" deck screws. (Fig. 6)
15. Install next board tight against first, keeping 21½" measurement and secure with #8 x 2½" deck screws. Repeat for remaining boards. (Fig. 6)

**Detail of Screw Placement**



Predrill –  
 ⅛" Dia. for #8 x 2½" deck screws

16. Fasten Monkey Rings to chains using quick link connectors. Tighten securely with an adjustable wrench. (Fig. 7)



**Fig. 7**

**COMPONENTS**  
**Mounting**  
**Instructions**

17. When installing the optional Climbing Rope (PS 7828) or Climbing Rocks (PS 7830), follow the instructions included with the item.

**T**hank You for choosing PlayStar. Because it is our intention to make this a positive family experience, we have taken great care in preparing this product. Should you have any questions, or if we can assist you in any way, please call our friendly Customer Service Department.

**Please call us Toll Free at 1-888-PLAYSTAR**  
(752-9782)

Monday through Friday, 8:00 A.M. to 5:00 P.M. C.S.T.

Ask for Customer Service.

*We Will Gladly Help!*

PlayStar, Incorporated, Janesville, WI 53547