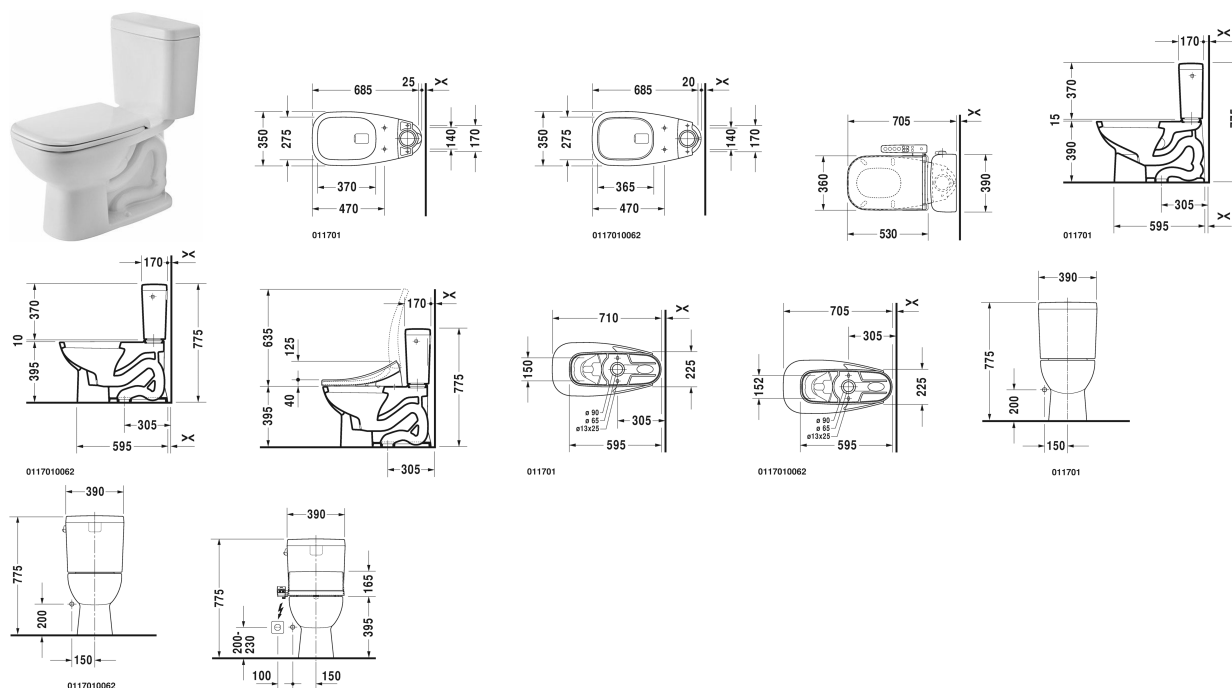


## D-Code Two-piece toilet # 011701..62

| < 350 mm > |



Two-piece toilet	Dimension	Weight	Order number
(without cistern), US-version, elongated with syphonic jet action, 305 mm/12" rough-in, vertical outlet			
<b>Colors</b>			
00 White Alpin 20 HygieneGlaze (an antibacterial ceramic glaze that provides almost indefinite effectiveness)			
<b>Variant</b>			
♣ 1,28 gpf (4,8 lpf)	350 x 685 mm	26.200 kilogram	011701..62
<b>Accessory</b>			
Mounting set for One-piece and Two-piece toilets, 1/2", ASIA-version		0.480 kilogram	001418
Mounting set for One-piece and Two-piece toilets, Outflow 3/8" - external thread, Wall Connection 1/2" - internal thread, 1/2", US-version		0.480 kilogram	001431
<b>Suitable products</b>			
Toilet seat and cover elongated, hinges stainless steel, without soft closure,			006741
Cistern with Single Flush mechanism, with side lever, 3"/80 mm flapper valve, bottom left supply, 1,28 gpf (4,8 lpf), 390 x 170 mm	390 x 170 mm		092720

**D-Code Two-piece toilet # 011701..62**

|< 350 mm >|

---

Toilet seat and cover elongated, hinges stainless steel,  
removable, with soft closure,

006209

---

*All drawings contain the necessary measurements which are subject to standard tolerances. They are stated in mm and are non-binding. Exact measurements, in particular for customised installation scenarios, can only be taken from the finished ceramic piece.*