

Submittal Package

viega



Viega® Flushing Systems Eco Plus® Urinal Carriers Article number 52750 for 2 x 4 and 2 x 6 walls

Architect / Engineer Approval

Job Name: _____

Date: _____

Quantity: _____

Architect: _____

Engineer: _____

Submittal Package

viega

Viega® Flushing Systems Eco Plus® Urinal Carriers

Article number 52750 for 2 x 4 and 2 x 6 walls

Components:

- Powder-coated steel frame
- Flushometer valve body
- Flexible Stainless Steel braided hose
- Mounting hardware for wood or metal studs
- Bowl mounting kit with 1/2" urinal inlet spud
- Urinal bowl seal
- Trim guards
- Vacuum breaker

Technical Data:

- Flush 0.5 gpf
- Steel frame load rated for 330 lbs.
- Recommended supply pressure range 10-75 psi
- Recommended operating temperature range 40-90°F
- Fits in a standard framed wall 3" min. thickness
- 1/2" female NPT connection
- Warranty
 - Frame – lifetime
- Adjustable bowl height including ADA requirements

Flush plates:

- Over 20 award winning designs
- Manual or electronic flushing
- Multiple finish options including custom finishes
- 1 year warranty

Certifications:

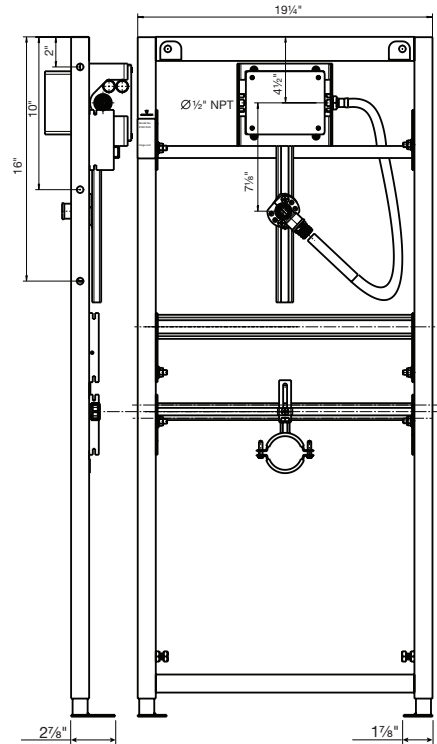
Frame load tested to ASME A112.6.1

Flush valves ASSE 1037

Compliant with California Energy Commission requirements for toilets.



V2.0



WaterSense compatible bowls

Manufacturer	Model Number	Model Name
Duravit	83630	Caro
	280132	Vero
	82135	Starck 3
	83432	Starck 1

Other compatible bowls

Manufacturer	Model Number	Model Name
Villeroy & Boch	Venticello	5504R0
	Venticello	5504R1
	Subway	751301
	Subway	751305
	O.nova	750300

Viega products are designed to be installed by licensed and trained plumbing and mechanical professionals who are familiar with Viega products and their installation. **Installation by non-professionals may void Viega LLC's warranty.**

This document is subject to updates. For the most current Viega technical literature please visit www.viega.us.

Viega LLC • 585 Interlocken Blvd. • Broomfield, CO 80021 • Phone (800) 976-9819 • www.viega.us