



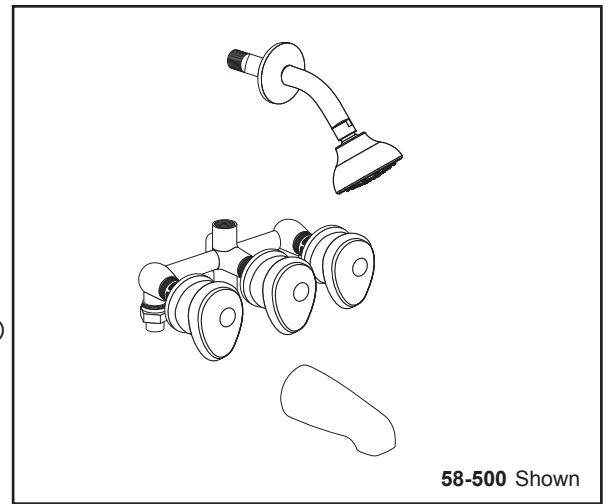
GERBER

58-500 Series Gerber Hardwater® Three Handle Tub & Shower Fittings



Features:

- Ceramaflow ceramic disc cartridges G0098709 & G0098705
- Body cast of high copper content brass
- Exposed parts have heavy chrome plated finish
- Working parts can be easily replaced
- Single function showerhead 49-107 at max. 2.0gpm (7.6L/min) WaterSense listed
- 1/2" I.P.S. or Sweat water inlet connections
- 8" centers with threaded escutcheons
- Three valve with center diverter
- Zinc die cast tub spout



58-500 Shown

Standards & Certifications:

- ANSI/ASME A112.18.1M
- ICC/ANSI A117.1
- cC/IAPMO
- Watersense

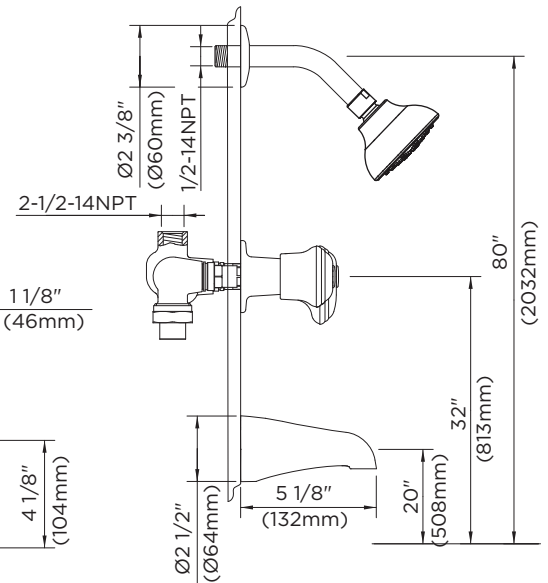
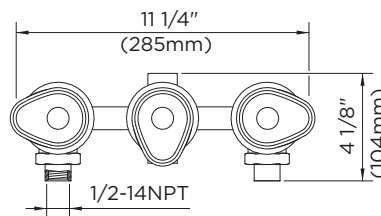
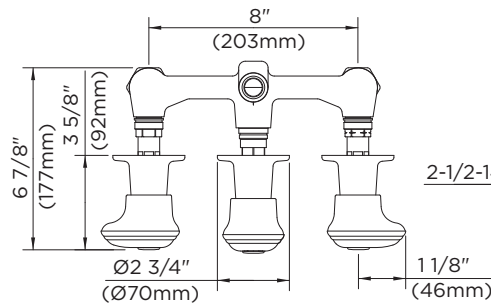
Catalog Numbers:

58-500 IPS/Sweat, Chrome

58-500-81 IPS/Sweat W/Slip
Spout Tub Filler, Chrome

58-510 Sweat, Chrome

58-510-81 Sweat W/Slip Spout
Tub Filler, Chrome



Prefixes Available:

None

Suffixes Available

-81 Slip Spout Tub Filler

Job Name	
Date	
Model Specified	
Quantity	
Customer	
Contractor	
Architect/engineer	

Gerber Toll Free Technical Support: 888-648-6466
www.gerberonline.com