

10" Rough-in

Features:

□ **25-642**

- Vitreous China
- High Efficiency 1.28gpf(4.8Lpf)
- Round Front Back Spud Bowl
- 10" Rough-in
- Siphon Jet
- For Flushometer Valve-Specify 25-642-30 for 2"X1 1/4" spud or 25-642-31 for 2" X 1 1/2" spud
- Back Spud
- Toilet seat not included



25-642 Urinal Shown

Technical Information:

Included Components:

- Bowl plus 2"X 1 1/4" spud 25-642-30
- Bowl plus 2" X 1 1/2" spud 25-642-31

Fixtures:

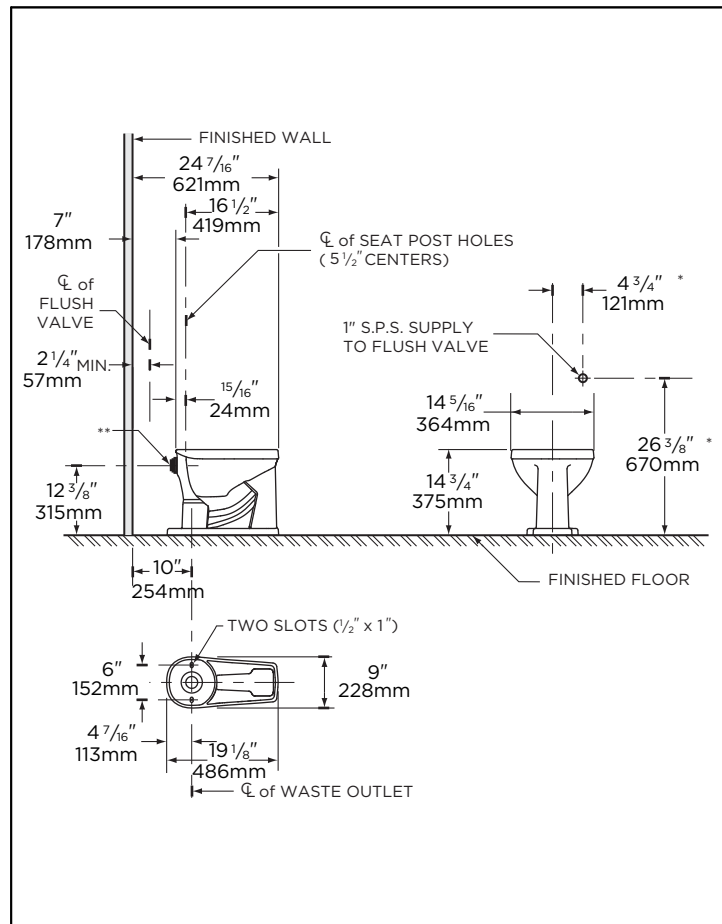
Configuration	Round Front Back Spud Bowl
Water per flush	1.28 gpf (4.8 Lpf)
Rough-In	10"
Height	14 3/4"
Width	14 5/16"
Depth	19 1/8"
Trapway	2"
Water Surface	8 11/16" x 6 5/16"
Product Weight	35.6 lbs

Colors:

- White
- Other: Refer to Price Book for additional colors

Warranty:

- Limited Lifetime Warranty



NOTES: All dimensions are in inches and millimeters.
 *This measurement may vary. Use flush valve manufacturer's recommended rough-in.
 **Normally supplied with 2" x 1-1/2" spud. Specify if 2" x 1-1/4" spud is desired.
 Illustrations may not be drawn to scale.
IMPORTANT:
 Dimensions of fixtures are nominal and may vary within the range of tolerances established by ASME Standard A 112.19.2. THIS FIXTURE QUALIFIES ACCORDING TO ASME TEST PROCEDURES AS A HIGH EFFICIENCY WATER CLOSET WITH AN AVERAGE CONSUMPTION OF 1.28 gpf (4.8 Lpf) OR LESS.