



Features:

□ 99-859

- Designed to fit the Wicker Park 21-221 and 20-020 toilets
- Adjustable mounting hardware for ideal fit
- High-impact, heavy duty solid polypropylene
- UV protection minimizes color degradation
- Top mounting for quick and easy installation
- 4 large molded-in bumpers to prevent slippage
- Available in white only

Standards:

- Complies with IAPMIO/ANSI Z124.5 Plastic Toilet Seats as a class Commercial Heavy Duty.

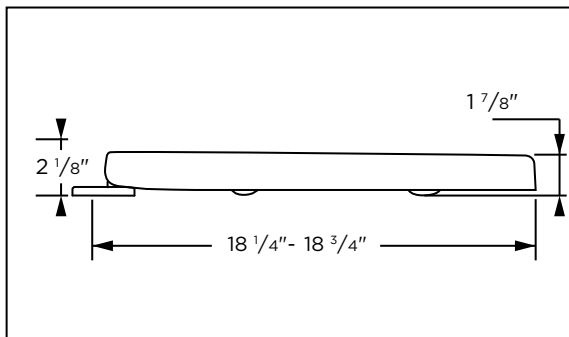
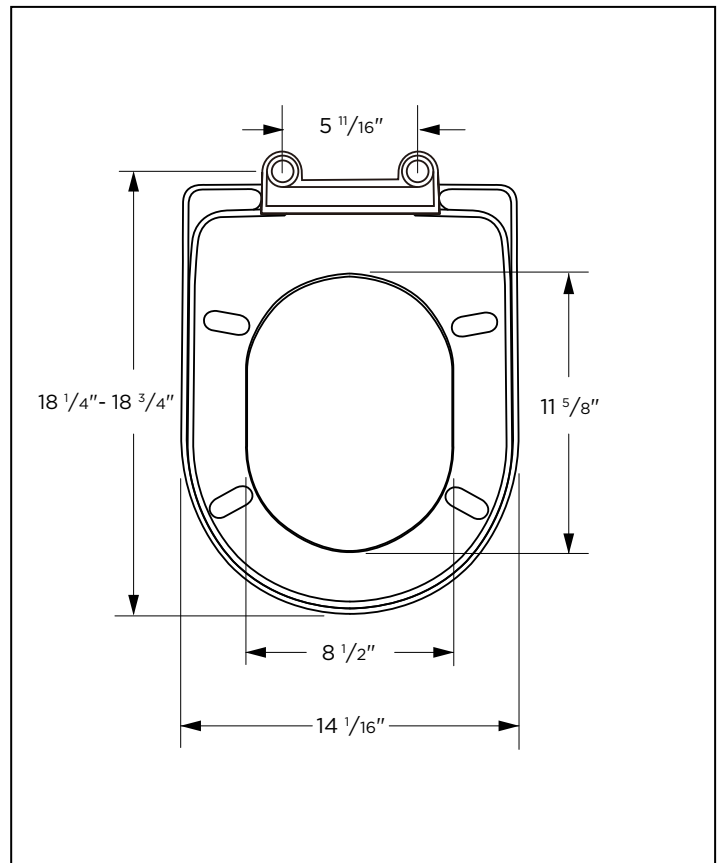


Technical Information:

Configuration	Elongated Toilet Seat
Type of Seat	Closed front with cover
Seat Hinges	Adjustable
Mounting Holes	5 1/16"
Height	1 7/8"
Width	14 1/16"
Depth	18 1/4"- 18 3/4"
Product Weight	4.3 lbs
Material	Polypropylene with UV protection
Bumpers	4

Warranty:

- One Years Manufacturers Warranty



NOTES: Illustrations may not be drawn to scale.