

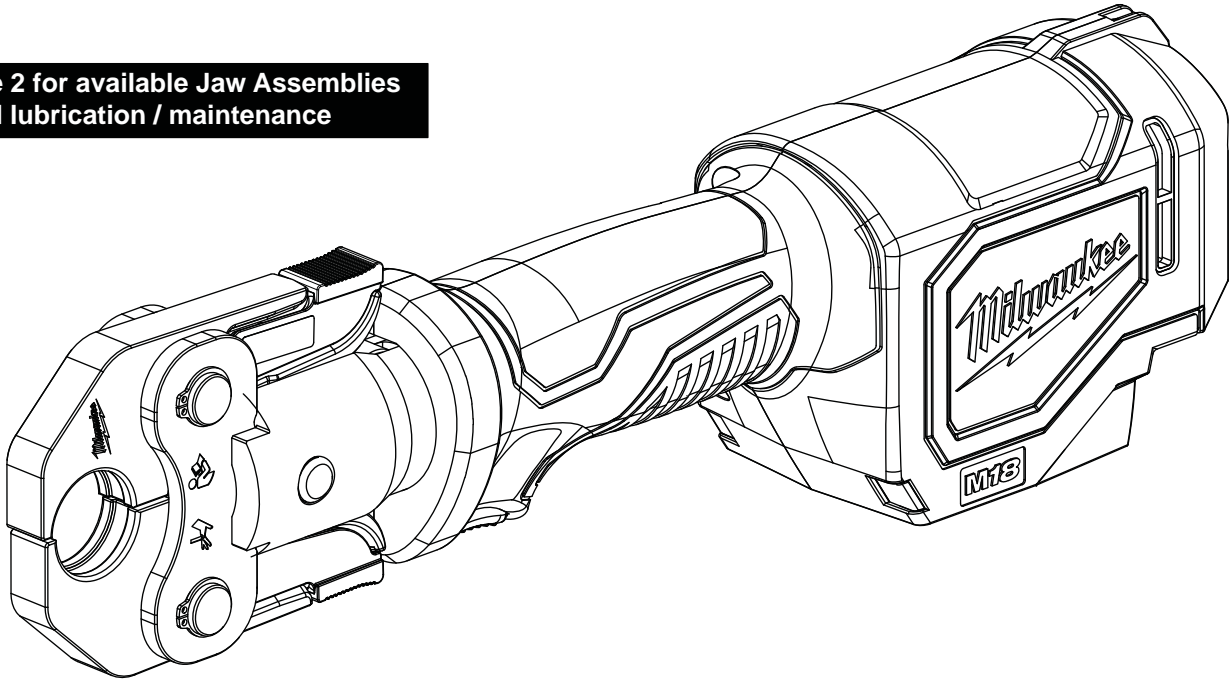


## SERVICE PARTS LIST

BULLETIN NO.  
54-00-PXPC

SPECIFY CATALOG NO. AND SERIAL NO. WHEN ORDERING PARTS		REVISED BULLETIN	DATE
M18™ PEX Press/Crimper			Feb. 2016
CATALOG NO.	2674-20	SERIAL NUMBER	H14A
WIRING INSTRUCTION			

See page 2 for available Jaw Assemblies  
and lubrication / maintenance



**Due to the mechanical design and electronics in this tool,  
service can only be performed at this Milwaukee factory Repair Center:**

**MILWAUKEE ELECTRIC TOOL Central Repair  
1013 Sycamore Avenue • Greenwood, MS 38930-7277**

Please send your tool directly to this location for service.

Or

**Via e-Service at: [www.milwaukeetool.com/e-service](http://www.milwaukeetool.com/e-service)**  
questions, please call 1.800.SAWDUST (1.800.729.3878)

Or

Return it to a MILWAUKEE *factory* Service Center location, freight prepaid and insured.  
A copy of the proof of purchase should be included with the return product.

---

If you have questions please contact Milwaukee Product Service at:

**Product Technical Support via phone at: 262.783.8642**

Or

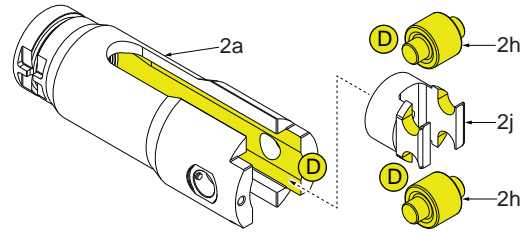
**Via email at: [METProductSupport @milwaukeetool.com](mailto:METProductSupport@milwaukeetool.com)**

**Disassembly is not recommended and could void the warranty.**

**LUBRICATION:**

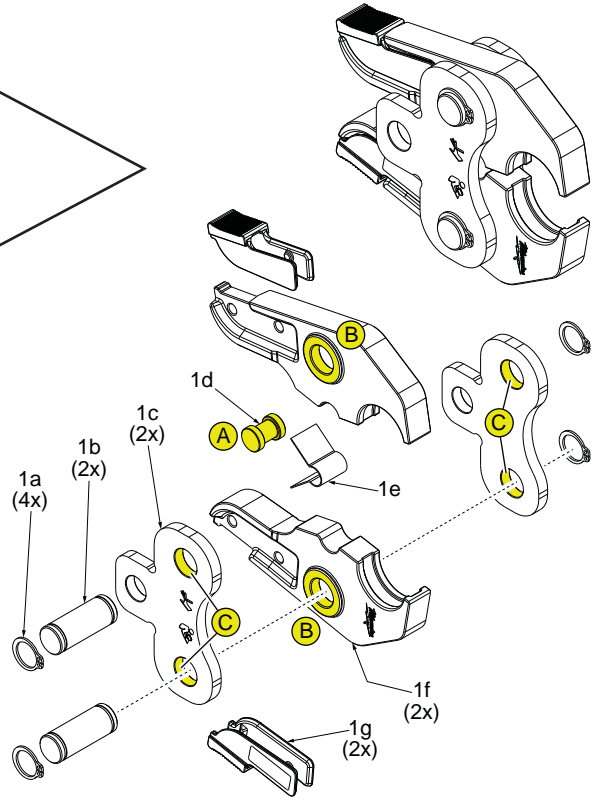
**Type S2 Grease (7 oz. tube), No. 49-08-5265**

- A** Place a light, uniform coat of grease around the entire jaw transfer pin (1d).
- B** Lightly coat with grease the ID of pivot pin holes of both press jaws (1f & 1h). Be sure to place a light film of grease on the flange surfaces of both press jaws (1f & 1h) that contact the side plates (1c).
- C** Lightly coat with grease the ID of pivot pin holes of the jaw side plates (1c).
- D** Apply a light coat of grease to the clevis assembly (2a) as shown. Apply a light coat of grease to both rollers (2h) and the roller contact surfaces on the roller carrier (2j).



**PEX PRESS JAW ASSEMBLIES for the 2674-22P**

ITEM	PART NUMBER	DESCRIPTION OF PART	NO.REQ.
30	49-16-2634P	1" Pex Press Jaw Assembly	1
31	49-16-2633P	3/4" Pex Press Jaw Assembly	1
32	49-16-2632P	5/8" Pex Press Jaw Assembly	1
33	49-16-2631P	1/2" Pex Press Jaw Assembly	1
34	49-16-2630P	3/8" Pex Press Jaw Assembly	1
1A	44-86-0026	Retaining Ring	4
1B	-----	Pivot Pin	2
1C	-----	Jaw Side Plate	2
1D	-----	Jaw Transfer Pin	1
1E	-----	Leaf Spring	1
1F	-----	1" Pex Press Jaw	2
1F	-----	3/4" Pex Press Jaw	2
1F	-----	5/8" Pex Press Jaw	2
1F	-----	1/2" Pex Press Jaw	2
1F	-----	3/8" Pex Press Jaw	2
1G	-----	Jaw Clip With Orange For 1" Pex Press Jaw	2
1G	-----	Jaw Clip With Blue For 3/4" Pex Press Jaw	2
1G	-----	Jaw Clip With Red For 5/8" Pex Press Jaw	2
1G	-----	Jaw Clip With Yellow For 1/2" Pex Press Jaw	2
1G	-----	Jaw Clip With Green For 3/8" Pex Press Jaw	2



**PEX CRIMP JAW ASSEMBLIES for the 2674-22C**

ITEM	PART NUMBER	DESCRIPTION OF PART	NO.REQ.
35	49-16-2634C	1" Pex Crimp Jaw Assembly	1
36	49-16-2633C	3/4" Pex Crimp Jaw Assembly	1
37	49-16-2632C	5/8" Pex Crimp Jaw Assembly	1
38	49-16-2631C	1/2" Pex Crimp Jaw Assembly	1
39	49-16-2630C	3/8" Pex Crimp Jaw Assembly	1
1A	44-86-0026	Retaining Ring	4
1B	-----	Pivot Pin	2
1C	-----	Jaw Side Plate	2
1D	-----	Jaw Transfer Pin	1
1E	-----	Leaf Spring	1
1H	-----	1" Pex Crimp Jaw	2
1H	-----	3/4" Pex Crimp Jaw	2
1H	-----	5/8" Pex Crimp Jaw	2
1H	-----	1/2" Pex Crimp Jaw	2
1H	-----	3/8" Pex Crimp Jaw	2
1J	-----	Jaw Clip With Orange For 1" Pex Crimp Jaw	2
1J	-----	Jaw Clip With Blue For 3/4" Pex Crimp Jaw	2
1J	-----	Jaw Clip With Red For 5/8" Pex Crimp Jaw	2
1J	-----	Jaw Clip With Yellow For 1/2" Pex Crimp Jaw	2
1J	-----	Jaw Clip With Green For 3/8" Pex Crimp Jaw	2

