




A world's leading manufacturer of power tools

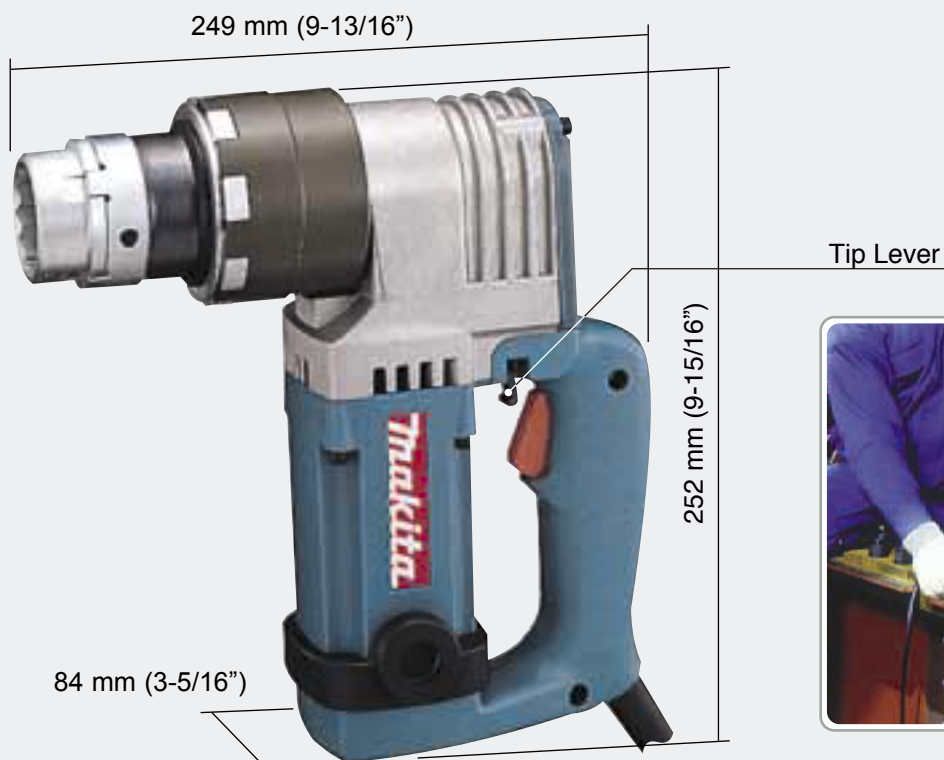
 Double Insulation

 Steel Carrying case

# Shear Wrench

## Model 6922NB M16 (5/8"), M20 (3/4"), M22 (7/8")

***So light (10.6 lbs) and maneuverable!***  
*wrench won't work unless bolt tip rests snugly inside inner sleeve (anti-stripping mechanism)*



- Downsized design for less weight (and less operator fatigue)
- Only 9-13/16" long: squeezes in practically anywhere
- Anti-stripping mechanism: tool won't work until bolt tip rests snugly inside inner sleeve
- Big, easy-to-grip D-handle



Torque Shear Bolt

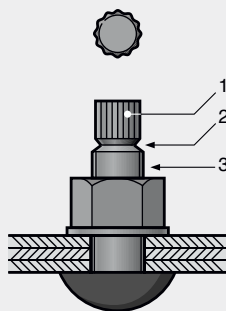
Makes installation management so easy

Much lower installation costs because of no special skills

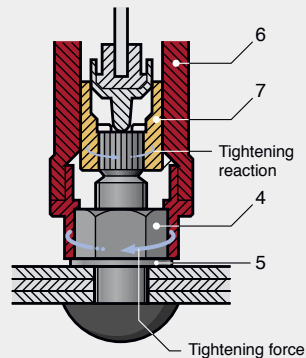
## Shear Bolt Installation procedure

Fit shear

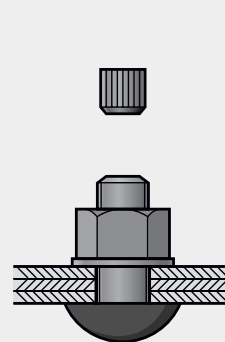
Before installing



during installing



Following installing



1. Bolt tip
2. Notched portion
3. Bolt
4. Nut
5. Washer
6. Outer Sleeve
7. Inner Sleeve

### Standard equipment

Inner Sleeve (16 - 36)
Outer Sleeve (16 - 35)

Slotted Screwdriver
Steel Carrying Case

### Optional accessories

Inner Sleeve (16 - 36)
Outer Sleeve (16 - 35)

### Specifications

<b>Capacities</b>	
Bolt size	M16, M20, M22; F11T (5/8", 3/4", 7/8"; A490)
Max.fastening torque	803 N·m (8,200 kgf·cm)
Continuous rating	
Input	1330 W
No load speed	18 min <sup>-1</sup> (rpm)
Dimensions (L x W x H)	249 mm x 84 mm x 252 mm (9-13/16" x 3-5/16" x 9-15/16")
Net weight	4.8 kg (10.6 lbs)
Power supply cord	2.5 m (8.2 ft.)