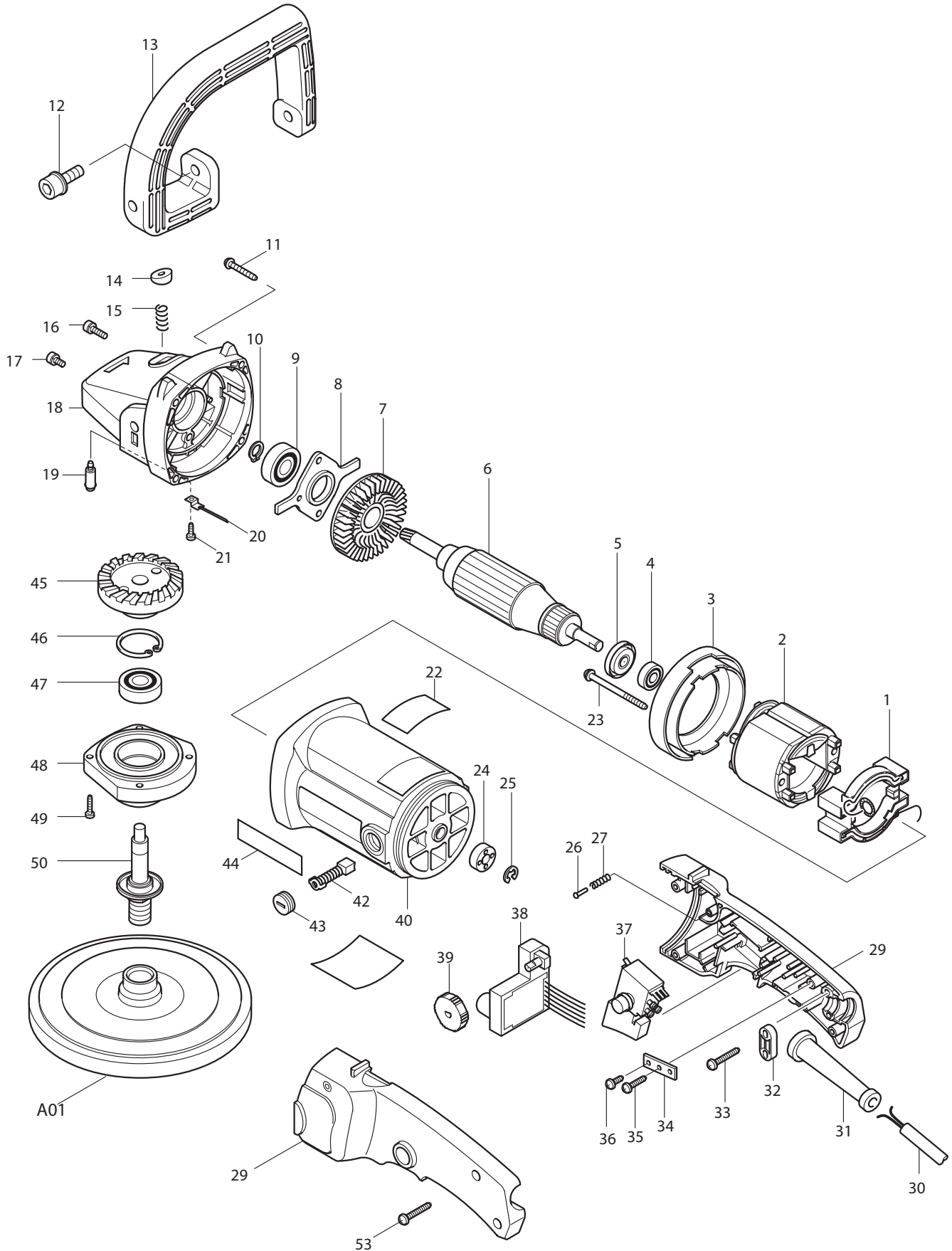




09 - 2008

9227C

# SANDER POLISHER 180MM



Item No.	Part No.	Description	Q'ty	Unit
1	539168-0	SUPPORT ASSY(MJ)	1	PC.
	INC. 632679-5	SUPPORT COM	1	PC.
	INC. 654020-2	RING TERMINAL	1	PC.
	INC. 654501-6	CONNECTOR P-1.25	1	PC.
1A	539186-8	SUPPORT ASSY(MCA)	1	PC.
	INC. 632679-5	SUPPORT COM	1	PC.
	INC. 654020-2	RING TERMINAL	1	PC.
	INC. 654555-3	CONNECTOR 34130	1	PC.
2	634291-7	FIELD	1	PC.
3	416253-5	BAFFLE PLATE	1	PC.
4	211031-6	BALL BEARING 608LLB	1	PC.
5	681644-1	INSULATION WASHER	1	PC.
6	516306-1	ARMATURE ASSY (INCLUDES ITEMS 4, 5 & 7)	1	PC.
7	240002-6	FAN 70	1	PC.
8	285687-1	BEARING RETAINER 48	1	PC.
9	211106-1	BALL BEARING 6201LLB	1	PC.
10	961052-5	RETAINING RING S-12	1	PC.
11	266012-5	TAPPING SCREW 5X35	4	PC.
12	266171-5	HEX. SOCKET HEAD BOLT M8X25	2	PC.
13	416256-9	LOOP HANDLE	1	PC.
14	415491-6	PIN CAP	1	PC.
15	233072-2	COMPRESSION SPRING 8	1	PC.
16	911223-4	PAN HEAD SCREW M5X16(TYPE 1)	1	PC.
	911221-8	PAN HEAD SCREW M5X16(TYPE 2)	1	PC.
17	911213-7	PAN HEAD SCREW M5X12(TYPE 1)	1	PC.
	911211-1	PAN HEAD SCREW M5X12(TYPE 2)	1	PC.
18	159951-5	GEAR HOUSING COM. (ITEM#14, 15 & 19, All of them are not included)	1	PC.
19	256446-0	PIN 6 (TYPE 1) (for ITEM# 45 TYPE 1 SPIRAL BEVEL GEAR)	1	PC.
	256504-2	SHOULDER PIN 9 (TYPE 2) (for ITEM# 45 TYPE 2 SPIRAL BEVEL GEAR)	1	PC.
20	632783-0	LEAD UNIT	1	PC.
21	652014-1	PAN HEAD SCREW M4X8	1	PC.
22	816330-7	INDICATION LABEL	1	PC.
23	266038-7	TAPPING SCREW 5X70	2	PC.
24	688110-9	MAGNET SLEEVE	1	PC.
25	961012-7	STOP RING E-6	1	PC.
26	255058-6	RIVET 2	1	PC.

Item No.	Part No.	Description	Q'ty	Unit
27	233002-3	COMPRESSION SPRING 3	1	PC.
29	182917-0	HANDLE SET	1	SET
30	664625-0	CORD WITH PLUG 3P-18-2.5M, SJ	1	PC.
31	682502-4	CORD GUARD 8-85(TYPE 1)	1	PC.
	682503-2	CORD GUARD 8-90(TYPE 2)	1	PC.
32	687063-9	STRAIN RELIEF	1	PC.
33	265995-6	TAPPING SCREW 4X18	2	PC.
34	654571-5	TERMINAL BLOCK	1	PC.
35	265995-6	TAPPING SCREW 4X18	1	PC.
36	652014-1	PAN HEAD SCREW M4X8	2	PC.
37	651282-3	SWITCH	1	PC.
38	631226-9	CONTROLLER (MJ) [RECEPTACLE(654025-2) AND SPLICE(654622-4) NOT INCLUDED]	1	PC.
38A	631801-1	CONTROLLER (MCA)	1	PC.
	INC. 654025-2	RECEPTACLE FS2.8B-1.25-5	1	PC.
	INC. 654622-4	SPLICE	1	PC.
39	271417-6	DIAL 28	1	PC.
40	182918-8	MOTOR HOUSING SET	1	PC.
	INC. 643708-9	BRUSH HOLDER 5-11	2	PC.
	INC. *****	Item No. 22, 44	1	PC.
42	191963-2	CARBON BRUSH CB-303, 2PCS/SET	1	SET
43	643750-0	BRUSH HOLDER CAP	2	PC.
44	819001-5	MAKITA LABEL, ENG	2	PC.
45	226744-6	SPIRAL BEVEL GEAR 52 (TYPE 1) - <b>N/L/A</b> (Use TYPE2 SPIRAL BEVEL GEAR 52 (#227512-0) & Item#19 TYPE2 SHOULDER PIN 9 (#226504-2) at the same time)	1	PC.
	<b>227512-0</b>	SPIRAL BEVEL GEAR 52 (TYPE 2)	1	PC.
46	962151-6	RETAINING RING R-32	1	PC.
47	211106-1	BALL BEARING 6201LLB	1	PC.
48	316896-2	BEARING BOX	1	PC.
49	266034-5	TAPPING SCREW CT 4X16	4	PC.
50	152552-8	SPINDLE COM. 5/8-11UNC	1	PC.
	INC. 344347-5	LABYRINTH RING	1	PC.
53	265995-6	TAPPING SCREW 4X18	4	PC.

<b>Item No.</b>	<b>Part No.</b>	<b>Description</b>	<b>Q'ty</b>	<b>Unit</b>
100	654509-0	CONNECTOR 2-SD (MJ)	1	PC.
	654558-7	INSULATED END CONNECTOR (MCA)	1	PC.
102	654038-3	INSULATED TERMINLA FV1.25-M4T(MJ)	2	PC.
	654114-3	TERMINAL 31886(MCA)	2	PC.
103	654551-1	CONNECTOR(MJ)	3	PC.
	654042-2	NON-INSULSTED SLEEVE(MJ)(OPTIONAL)	3	PC.
	654622-4	SPLICE(MCA)	3	PC.

### **ACCESSORIES**

A01	743052-5	BACKING PAD 165 (HOOK&LOOP)	1	PC.
A02	783204-6	HEX. WRENCH 6	1	PC.
A03	262542-4	SLEEVE 18	1	PC.
A04	153489-2	GRIP 36 COM.	1	PC.
A05	192629-7	WOOL PAD 180 SET(HOOK&LOOP)	1	SET
A06	743012-7	RUBBER PAD(CONVENTIONAL)	1	PC.
A07	794176-0	WOOL BONNET 180 (CONVENTIONAL)	1	PC.
A08	*****	ABRASIVE DISC (SEE CATALOGUE)		
A09	<b>193048-0</b>	SANDING LICK NUT 5/8-48	1	PC.
A10	782412-6	LOCK NUT WRENCH 28	1	PC.

\*INC.=INCLUDES