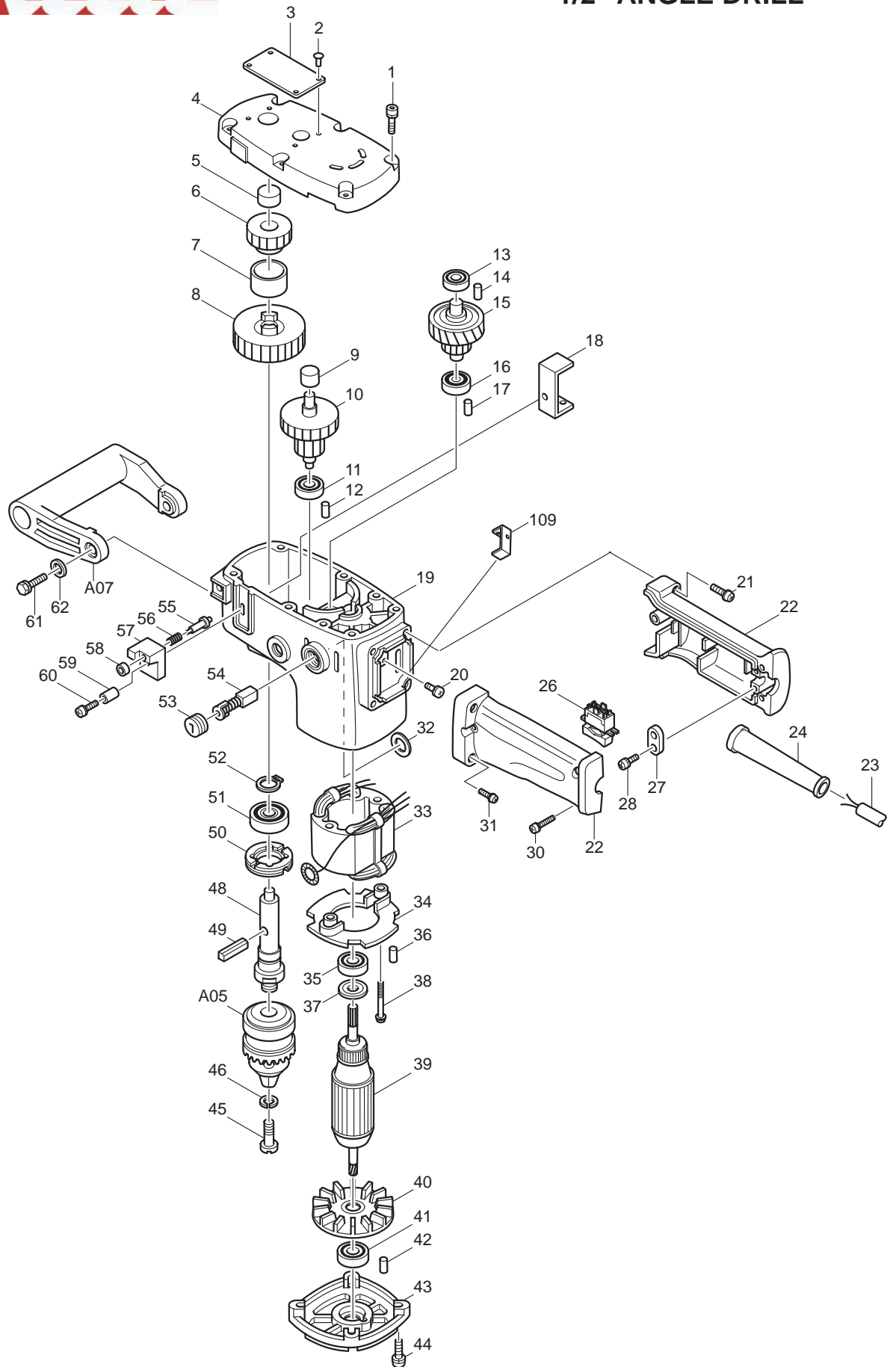




08 - 2010  
DA6301  
1/2" ANGLE DRILL



Item No	Type	Ref	Part No	Description	Qty	Unit
1			911241-2	PAN HEAD SCREW M5X25	6	PC.
2			953106-2	RIVET 0-5	4	PC.
4			157398-7	HOUSING COVER	1	PC.
		INC.		Item No. 4		
5			212052-1	NEEDLE BEARING 1010	1	PC.
6			221877-2	SPUR GEAR 33	1	PC.
7			257573-6	SLEEVE 26	1	PC.
8			221876-4	SPUR GEAR 57	1	PC.
9			212004-2	NEEDLE BEARING 810	1	PC.
10			226070-3	GEAR COMPLETE 20-45	1	PC.
11			211033-2	BALL BEARING 608LB	1	PC.
12			263002-9	RUBBER PIN 4	1	PC.
13			211028-5	BALL BEARING 627LB	1	PC.
14			263002-9	RUBBER PIN 4	1	PC.
15			155700-8	TORQUE LIMITER COMPLETE	1	PC.
16			211016-2	BALL BEARING 626LLB	1	PC.
17			263002-9	RUBBER PIN 4	1	PC.
18			341749-6	SLIDER	1	PC.
19			159790-3	HOUSING COMPLETE	1	PC.
		INC.	913206-0	SET SCREW M5X8	2	PC.
		INC.	643603-3	BRUSH HOLDER 6-10	2	PC.
		INC.		Item No. 12, 17 & 36		
20			652014-1	PAN HEAD SCREW M4X8	1	PC.
21			911216-1	PAN HEAD SCREW M5X14	2	PC.
22			183584-4	HANDLE SET	1	SET
23			664625-0	CORD W/PLUG 3P-18-2.5M, SJ	1	PC.
24			682503-2	CORD GUARD 8-90	1	PC.
26			651564-3	SWITCH SL220SD-4, D	1	PC.
27			687001-1	STRAIN RELIEF	1	PC.
28			911133-5	PAN HEAD SCREW M4X18	2	PC.
30			911143-2	PAN HEAD SCREW M4X22	3	PC.
31			911216-1	PAN HEAD SCREW M5X14	2	PC.
32			681001-3	INSULATION WASHER	2	PC.
33			522526-7	FIELD ASS'Y 115V	1	PC.
		INC.	654019-7	RING TERMINAL	1	PC.
		INC.	654501-6	CONNECTOR P-1.25	1	PC.
34			411895-0	BAFFLE PLATE	1	PC.
35			211061-7	BALL BEARING 6000LLB	1	PC.
36			263002-9	RUBBER PIN 4	1	PC.
37			213059-0	DUST SEAL 10	1	PC.
38			911681-4	PAN HEAD SCREW M5X60	2	PC.
39			513636-1	ARMATURE ASS'Y 115V	1	PC.
		INC.		Item No. 35, 37, 40 & 41		
40			241635-0	FAN 70	1	PC.
41			211033-2	BALL BEARING 608LB	1	PC.
42			263002-9	RUBBER PIN 4	1	PC.
43			152209-1	BEARING BOX COMPLETE	1	PC.
		INC.		Item No. 42		
44			911236-5	PAN HEAD SCREW M5X22	4	PC.
45			251442-3	- FLAT HEAD SCREW M6X26	1	PC.
46			942151-2	SPRING WASHER 6	1	PC.
48			322421-9	SPINDLE	1	PC.
49			321530-1	PIN 6	1	PC.
50			285809-3	BEARING RETAINER 23-36	1	PC.
51			211251-2	BALL BEARING 6003LLB	1	PC.
52			961057-5	RETAINING RING S-17	1	PC.
53			643600-9	BRUSH HOLDER CAP 6-10	2	PC.

Item No	Type	Ref	Part No	Description	Qty	Unit
54	1		191945-4	CARBON BRUSH CB-124, 2PCS/SET (W/O ORIGIN)	1	SET
	2		194982-7	CARBON BRUSH CB-124, 2PCS/SET (W/ ORIGIN)	1	SET
55			321891-9	STOPPER PIN	1	PC.
56			231098-8	COMPRESSION SPRING 6	1	PC.
57			410627-2	SLIDE BUTTON	1	PC.
58			321892-7	NUT	1	PC.
59			257574-4	SLEEVE 5	1	PC.
60			911218-7	PAN HEAD SCREW M5X14	1	PC.
61			921441-6	HEX. BOLT M8X25	2	PC.
62			941202-8	FLAT WASHER 8	2	PC.
67			421297-2	DUST COVER	1	PC.
100			652008-6	PAN HEAD SCREW M3.5X7(F/SWITCH)	4	PC.
101			652014-1	PAN HEAD SCREW M4X8(F/EARTH, MOTOR HSG)	1	PC.
102			654001-6	TERMINAL R1.25-3.5(F/ARMATURE, SWITCH)	2	PC.
103			654002-4	TERMINAL 1.25-M4(F/EARTH, MOTOR HSG)	2	PC.
106			654037-5	INSULATED TERM. FK1.25-M3(F/FIELD, SWITCH)	2	PC.
107			654509-0	CONNECTOR 2-SD(F/CORD, FIELD)	2	PC.
108			654031-7	CUP WASHER 4	1	PC.
109			652252-5	CLAMP WASHER(F/MOTOR HSG, USE W/ITEM 20)	1	PC.
111			689054-6	RING TERMINAL RETAINER 13	2	PC.
112			652250-9	CLAMP WASHER(F/SWITCH)	4	PC.

**ACCESSORIES**

- See catalogue or visit [www.makita.ca](http://www.makita.ca) for more optional accessories -

A01			273476-6	GRIP(SIDE HANDLE) 30	1	PC.
A02			763432-9	CHUCK KEY S13	1	PC.
A03			410102-8	KEY HOLDER	1	PC.
A04			181791-3	STEEL CARRYING CASE	1	PC.
A05			763062-6	1/2" DRILL CHUCK	1	PC.
A06			781201-6	WRENCH 9	1	PC.
A07			273628-9	GRIP (TOP HANDLE)	1	PC.