

EverHot[®] Tankless Energy Saver Gas Water Heater



Interior Model



Exterior Model

The EverHot[®] Tankless Water Heater Models feature:

- **ENERGY STAR[®] Qualified**—These models qualify for the January 1st, 2009 minimum ENERGY STAR[®] EF requirement, as well as most utility rebate programs.
- **Interior and Exterior Models**—Twelve units (Natural Gas and Propane Gas) with self regulating maximum BTU/hr. inputs ranging from 150,000-199,000.
- **Digital Main Controller**—Interior models have a digital controller integrated into the front panel of the water heater with a default temperature range of 96°F-120°F (140°F maximum). Exterior models are shipped with a primary remote controller with a default temperature range of 96°F-120°F (140°F maximum). An optional Main Controller/Residential (p/n 239-44509-00) can be wired remotely and provides a default temperature range of 96°F-120°F (140°F maximum).
- **Commercial Conversion Capability**—For application flexibility, all models can be converted to a commercial model with the use of a commercial controller.
- **Commercial Controller**—An optional Main Controller/Commercial (p/n 239-47805-00) is available for commercial and hydronic applications (maximum temperature setting for each model on reverse side).
- **Continuous Flow**—Supplies hot water continuously at the temperature set point.
- **Heat Exchanger**—Nine pass design to maximize heat transfer and efficiency.
- **Direct Electronic Ignition**—No standing pilot.
- **Fully Automatic Controls**—Outgoing water temperature is monitored by a built-in sensor. Burner and combustion blower modulate between minimum and maximum input to maintain setpoint temperature.
- **Diagnostic Capabilities**—Error messages in numerical codes are displayed on primary control.
- **Space Saving Installation**—Compact size for tight installations (mounts on the wall).
- **Lime Accumulation Sensor**—Built into the heat exchanger to alert of build-up.
- **Co-Axial Venting**—Interior models can be vented horizontally through a wall or vertically through the roof. Maximum equivalent vent length is 41ft. Interior models have dedicated venting system components that must be ordered separately (see I&O manual for specific venting components).

FEATURING:



12-Year Limited Residential Heat Exchanger Warranty.

5-Year Limited Commercial and Hydronic Heat Exchanger Warranty.

5-Year Limited Residential and Commercial Component Parts Warranty.

For more information on warranty, please visit www.bradfordwhite.com

For products installed in USA, Canada and Puerto Rico. Some states do not allow limitations on warranties. See complete copy of the warranty included with the heater.

MANUFACTURED UNDER ONE OR MORE OF THE FOLLOWING U.S. PATENTS: 5,954,492; 5,761,379; 5,943,984; 5,081,696; 5,988,117; 6,142,216; 5,199,385; 5,574,822; 5,372,185; 5,485,879; 5,277,171; (B1)5,341,770; 5,660,165; 5,596,952; 5,682,666; 4,904,428; 5,023,031; 5,000,893; 4,669,448; 4,829,983; 4,808,356; 5,115,767; 5,092,519; 5,052,346; 4,416,222; 4,628,184; 4,861,968; 4,672,919; Re. 34,534; 7,270,087 B2. OTHER U.S. AND FOREIGN PATENT APPLICATIONS PENDING. CURRENT CANADIAN PATENTS: 1,272,914; 1,280,043; 1,289,832; 2,045,862; 2,112,515; 2,108,186; 2,107,012; 2,092,105; 2,409,271. EverHot[®] is a registered trademark of Bradford White[®] Corporation.

EverHot® Tankless Gas Water Heater

Energy Saver Models

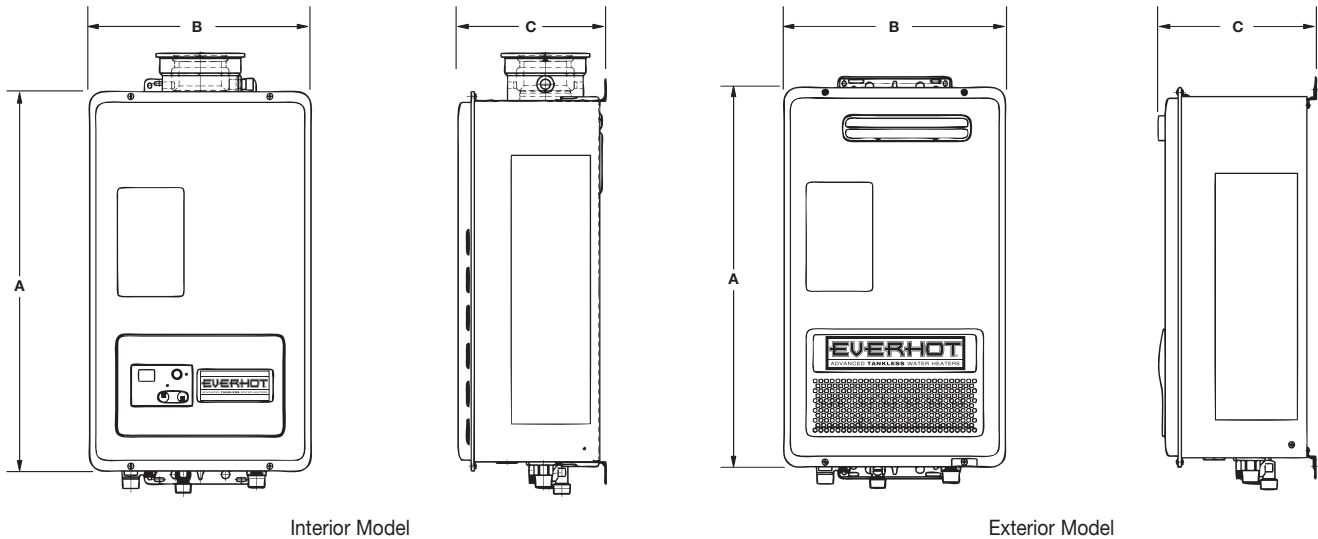
NATURAL GAS AND LIQUID PROPANE GAS

Model Number	Installation	Nat. BTU/Hr. Input	LP BTU/Hr. Input	GPM Flow Rate at °F Temperature Rise			EF Rating Nat. and LP	GPM Flow Rate		Commercial Control Maximum Temperature Setting	A Height in.	B Width in.	C Depth in.	Approx. Shipping Weight lbs.
				35°F	65°F	100°F		Min.	Max.					
TG-150I-N	Indoor	15,000-150,000	15,000-150,000	5.0	4.2	2.5	0.82	0.6	5.0	160°F	23	14	9 1/2	50
TG-150E-N	Outdoor	15,000-150,000	15,000-150,000	5.0	4.2	2.5	0.82	0.6	5.0	160°F	20	14	7	37
TG-180I-N	Indoor	15,000-180,000	15,000-180,000	7.5	4.6	3.0	0.82	0.6	7.5	160°F	23	14	9 1/2	50
TG-180E-N	Outdoor	15,000-180,000	15,000-180,000	7.5	4.6	3.0	0.82	0.6	7.5	160°F	23	14	10	46
TG-199I-N	Indoor	15,000-199,000	15,000-190,000	9.4	5.0	3.3	0.82	0.6	9.4	180°F	23	14	9 1/2	50
TG-199E-N	Outdoor	15,000-199,000	15,000-190,000	9.4	5.0	3.3	0.82	0.6	9.4	180°F	23	14	10	46

Model Number	Installation	Nat. kW Input	LP kW Input	LPM Flow Rate at °C Temperature Rise			EF Rating Nat. and LP	LPM Flow Rate		Commercial Control Maximum Temperature Setting	A Height mm.	B Width mm.	C Depth mm.	Approx. Shipping Weight kg.
				20°C	36°C	56°C		Min.	Max.					
TG-150I-N	Indoor	4.3 - 43.9	4.3 - 43.9	19	16	9	0.82	2.2	19	71°C	584	356	241	22.7
TG-150E-N	Outdoor	4.3 - 43.9	4.3 - 43.9	19	16	9	0.82	2.2	19	71°C	508	356	178	17.0
TG-180I-N	Indoor	4.3 - 52.7	4.3 - 52.7	28	17	11	0.82	2.2	28	71°C	584	356	241	22.7
TG-180E-N	Outdoor	4.3 - 52.7	4.3 - 52.7	28	17	11	0.82	2.2	28	71°C	584	356	254	21.0
TG-199I-N	Indoor	4.3 - 58.3	4.3 - 55.6	35	19	12	0.82	2.2	35	82°C	584	356	241	22.7
TG-199E-N	Outdoor	4.3 - 58.3	4.3 - 55.6	35	19	12	0.82	2.2	35	82°C	584	356	254	21.0

For Propane (LP) Models change suffix "N" to "X".

Requires AC 120 Volts - 60 Hz. Indoor models supplied with a 120 Volt power cord



General

All potable water connections are 3/4" NPT (19mm). All gas connections are 3/4" (19 mm).

Dimensions and specifications subject to change without notice in accordance with our policy of continuous product improvement.

Models that utilize the Main Controller/Commercial (p/n 239-47805-00) are suitable for Water (Potable) Heating and Space Heating.

Toxic chemicals, such as those used for boiler treatment, shall NEVER be introduced into the potable side of this system. The potable side may NEVER be connected to any existing heating system or component(s) previously used with a non-potable water heating appliance.



Ambler, PA

For U.S. and Canada field service, contact your professional installer or local Bradford White sales representative.

Sales 800-523-2931 • Fax 215-641-1670 / Technical Support 800-334-3393 • Fax 269-795-1089 • Warranty 800-531-2111 • Fax 269-795-1089

International: Telephone 215-641-9400 • Telefax 215-641-9750 / www.bradfordwhite.com

BRADFORD WHITE-CANADA INC. Sales / Technical Support 866-690-0961 / 905-238-0100 • Fax 905-238-0105 / www.bradfordwhite.com

Built to be the Best™

©2012, Bradford White Corporation. All rights reserved.