

UF LID ASSEMBLY WITH UI DOOR

P/N: 7381754-400.XXX0A

- Tank top lid with UI door and hinge assembly

TO REMOVE LID ASSEMBLY:

- Remove electronic tank top unit by lifting lid and turning quarter turn screws *counterclockwise* to the Unlock position and lifting upwards (see **FIGURE 1**)
- Place tank top on flat surface with lid facing down to expose bottom of unit
- Locate hinges and remove four screws by using the provided Torx screwdriver (see **FIGURE 2**)
- Remove lid assembly by pulling away from tank top unit (see **FIGURE 3**)

TO RE-INSTALL:

- Align hinges to tank top unit and slide lid assembly into position (see **FIGURE 3**)
- Install four screws using provided Torx screwdriver; this secures the lid assembly onto the tank top (see **FIGURE 2**)
- Place tank top unit on top of tank and secure by locking unit in place using quarter turn screws (see **FIGURE 1**)

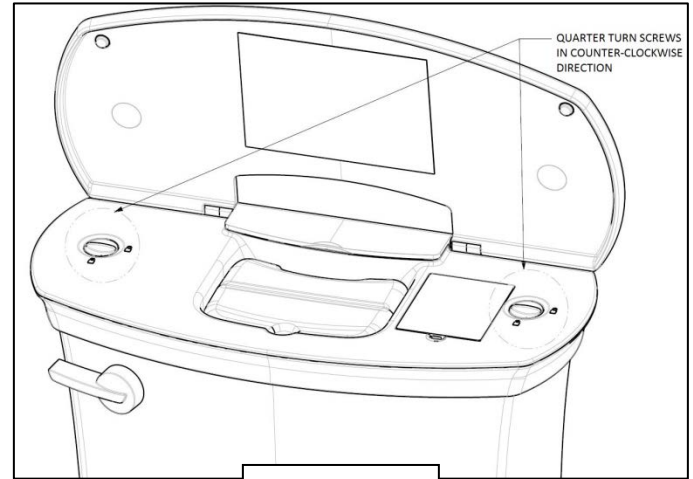


FIGURE 1

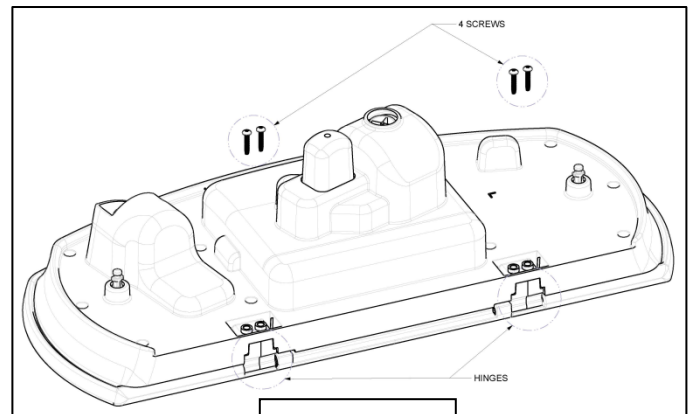


FIGURE 2

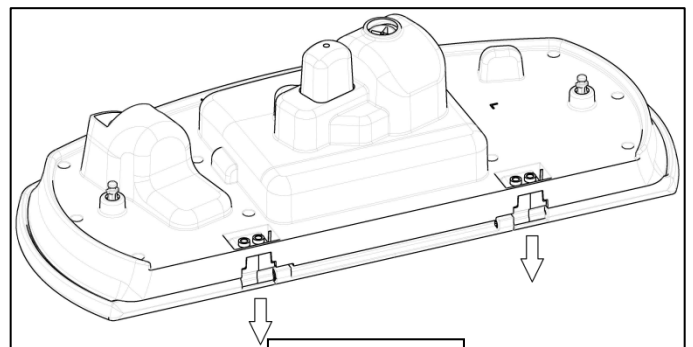


FIGURE 3