

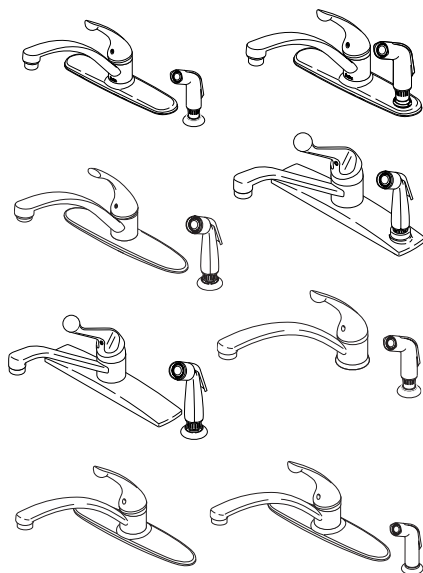


# SINGLE HANDLE KITCHEN FAUCETS



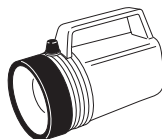
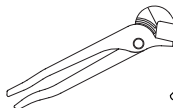
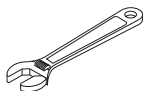
ASME A112.18.1 / CSA B125.1

Models 100,  
103, 140, 141,  
180, 300, 340,  
400, 403, 440,  
441, 480, D111  
& D411 Series



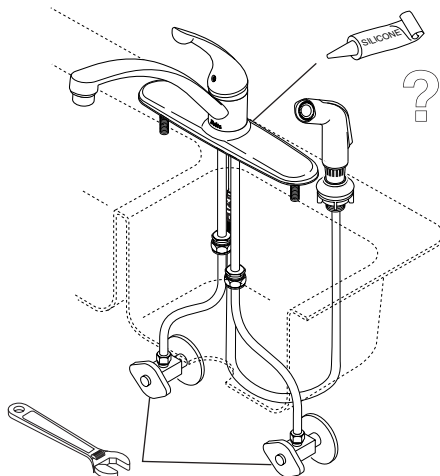
Write purchased model number here.

## You may need the following tools:



## For easy installation of your faucet you will need:

- To **READ ALL** the instructions completely before beginning.
- To **READ ALL** warnings, care, and maintenance information.
- To purchase the correct **water supply hook-up**.



**TABLE OF CONTENTS:**

Warranty ----- Page 2  
Installation Instructions ----- Pages 3-8  
Maintenance ----- Page 9  
Replacement Parts ----- Pages 10-17

**Lifetime Faucet and Finish Limited Warranty**

All parts and finishes of the Delta® faucet are warranted to the original consumer purchaser to be free from defects in material & workmanship for as long as the original consumer purchaser owns their home. Delta Faucet Company recommends using a professional plumber for all installation & repair.

Delta will replace, FREE OF CHARGE, during the warranty period, any part or finish that proves defective in material and/or workmanship under normal installation, use & service. Replacement parts may be obtained by calling 1-800-345-DELTA (in the U.S. and Canada) or by writing to:

**In the United States:**  
Delta Faucet Company  
Product Service  
55 E. 111th Street  
Indianapolis, IN 46280

**In Canada:**  
Masco Canada Limited, Plumbing Group  
350 South Edgeware Road,  
St. Thomas, Ontario, Canada N5P 4L1

This warranty is extensive in that it covers replacement of all defective parts and even finish, but these are the only two things that are covered. LABOR CHARGES AND/OR DAMAGE INCURRED IN INSTALLATION, REPAIR, OR REPLACEMENT AS WELL AS ANY

OTHER KIND OF LOSS OR DAMAGES ARE EXCLUDED. Proof of purchase (original sales receipt) from the original consumer purchaser must be made available to Delta for all warranty claims. THIS IS THE EXCLUSIVE WARRANTY BY DELTA FAUCET COMPANY, WHICH DOES NOT MAKE ANY OTHER WARRANTY OF ANY KIND, INCLUDING THE IMPLIED WARRANTY OF MERCHANTABILITY.

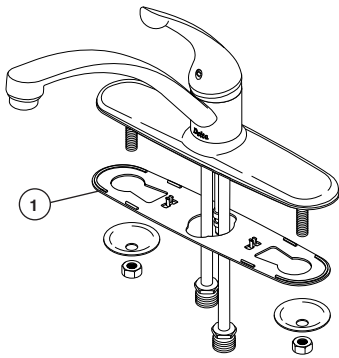
This warranty excludes all industrial, commercial & business usage, whose purchasers are hereby extended a five year limited warranty from the date of purchase, with all other terms of this warranty applying except the duration of the warranty. This warranty is applicable to Delta® faucets manufactured after January 1, 1995.

Some states/provinces do not allow the exclusion or limitation of incidental or consequential damages, so the above limitation or exclusion may not apply to you. Any damage to this faucet as a result of misuse, abuse, or neglect, or any use of other than genuine Delta® replacement parts WILL VOID THE WARRANTY.

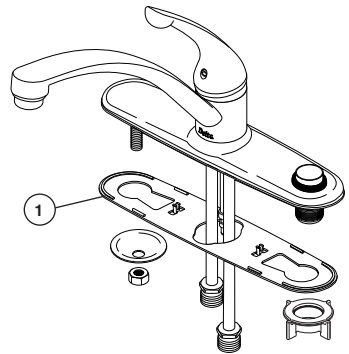
This warranty gives you specific legal rights, and you may also have other rights which vary from state/province to state/province. It applies only for Delta® faucets installed in the United States of America, Canada, and Mexico.

# 1

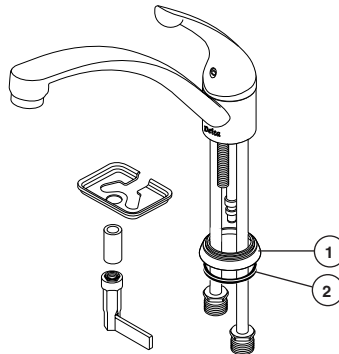
## Deck Mount



## Deck Mount



## Single Hole Mount



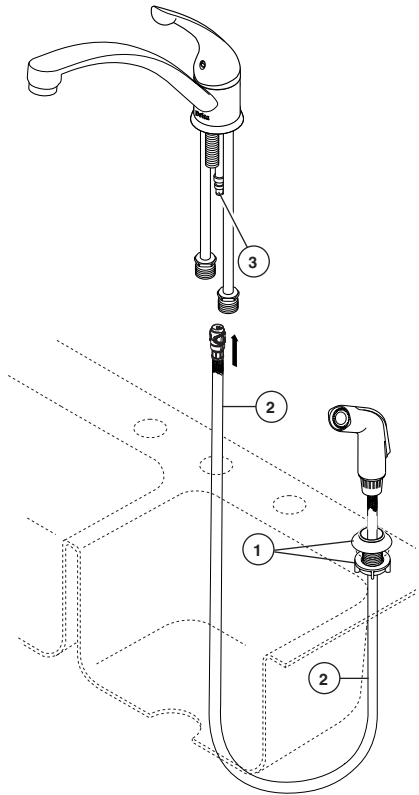
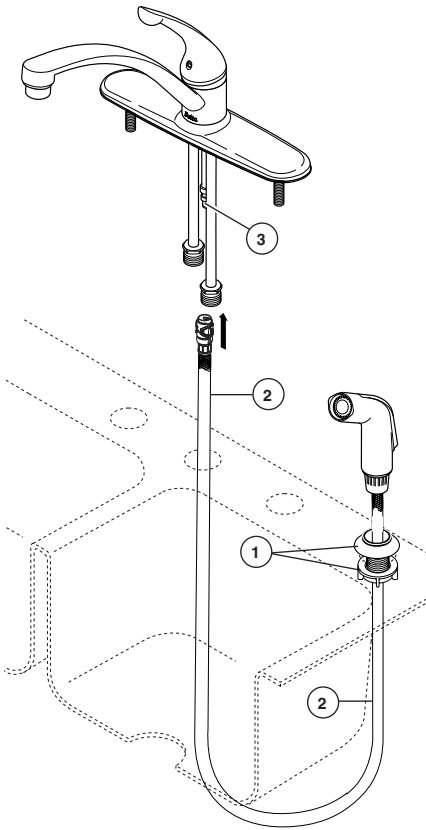
## Preparing for Installation

### SHUT OFF WATER SUPPLIES

Remove old faucet. For deck mount models place gasket (1) on faucet. For single hole mount models, place base (1) then gasket (2) on faucet. **For models without spray**, go to Step 3. **For models with spray**, go to Step 2.

**NOTE:** Thick tile 2 1/2" mounting kits available. 103, 141, 403 & 441 Series—**RP30394**.

2

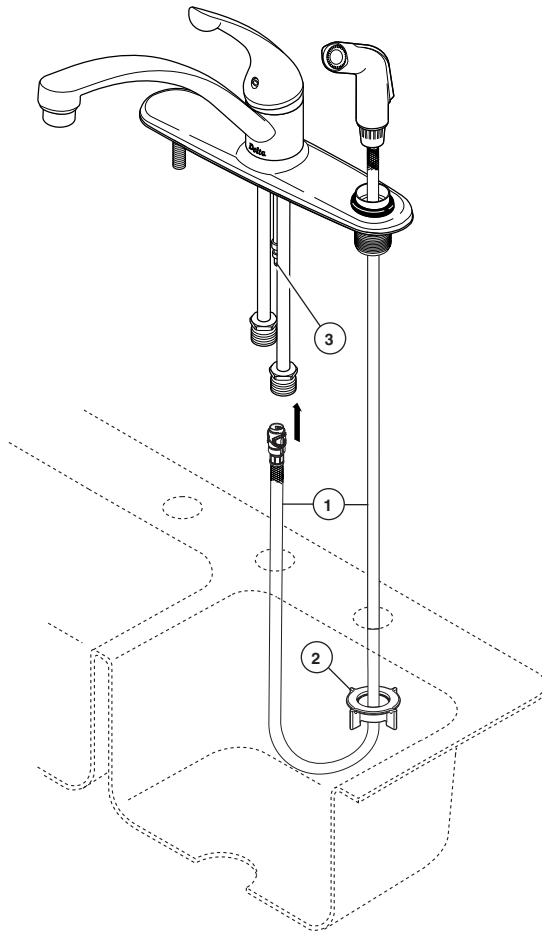


## Sprayer Installation

### For models with spray and spray support.

Mount the spray support assembly (1) in far right hole in sink. Hand tighten nut. Insert spray hose (2) down through support assembly and up through center

hole on sink. Snap quick connect spray hose (2) onto spray hose nipple (3). Pull down moderately to ensure connection has been made. Go on to Step 2.



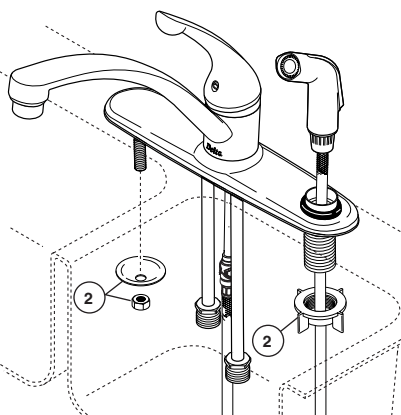
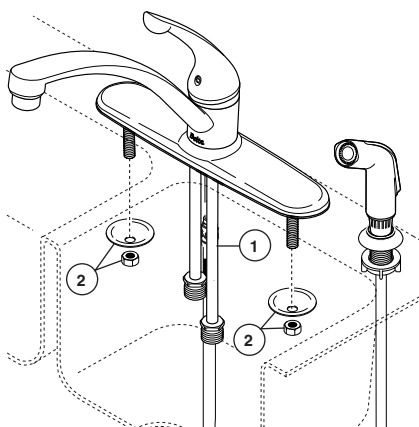
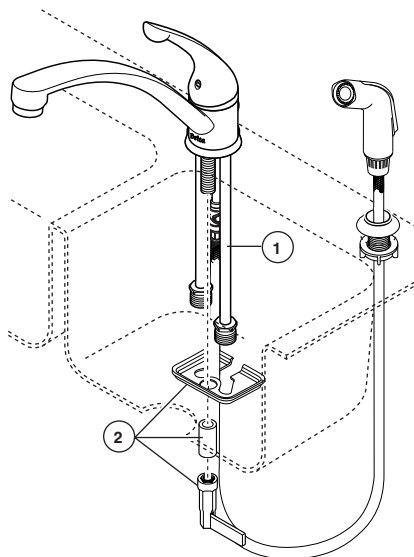
---

## Sprayer Installation

### For models with integrated spray.

Insert spray hose (1) down through support assembly on escutcheon and hole in sink. From underneath the sink place the mounting nut (2) over spray hose and insert the hose up through the middle hole

in sink. From above the sink, snap the quick connect spray hose (1) onto the spray hose nipple (3) with quick connect fitting. Pull down moderately to ensure connection has been made.

**3****Deck Mount****Single Hole Mount****Faucet Installation****For deck mount models.**

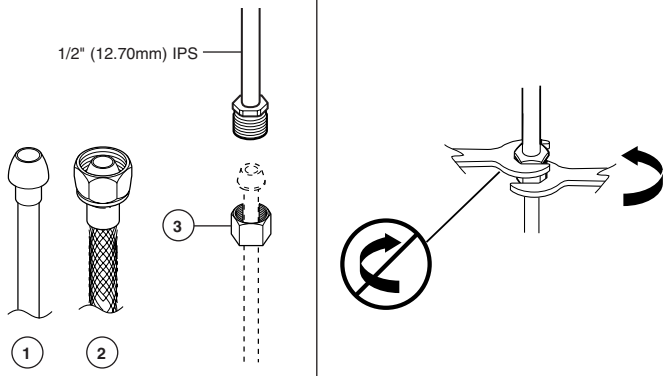
Feed tubes (1) down through center hole in sink. *OPTION: If sink is uneven, use silicone sealant under the gasket.* Secure faucet to sink with nuts/washers or mounting nuts (2) supplied with your faucet.

**For single hole mount models.**

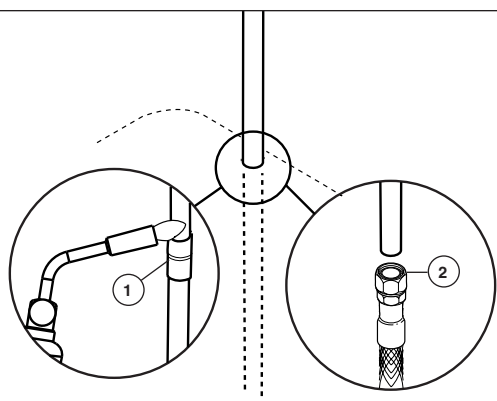
Feed tubes (1) down through center hole in sink. *OPTION: If sink is uneven, use silicone sealant under the gasket.* Secure faucet to sink with mounting bracket, spacer (for thin mount only) and nut (2) supplied with your faucet.

# 4

**A.**



**B.**



## Supply Line Connections

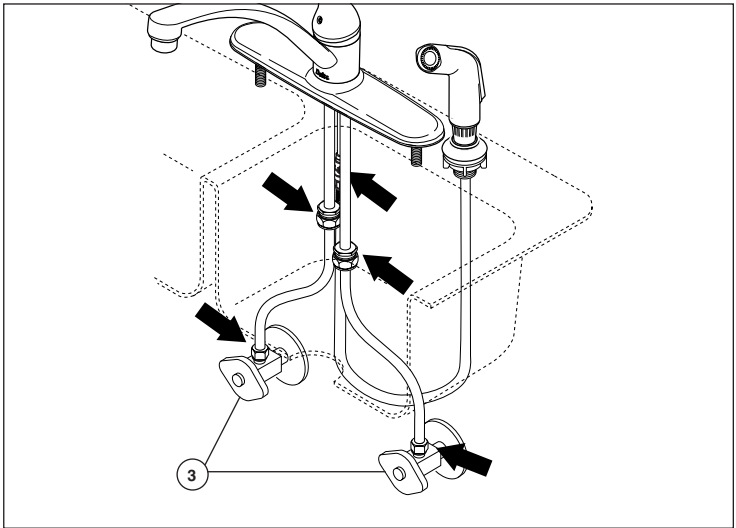
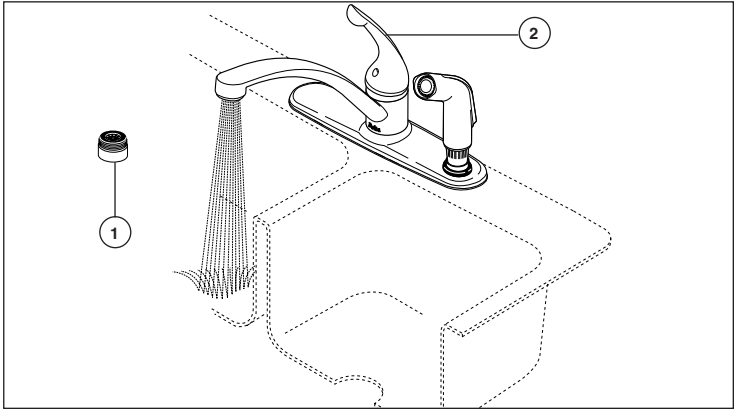
**For models with fittings.**

- A. Note:** Be careful when bending the copper tubing. Kinked tubes will void the warranty. Choose hook-ups for 1/2" I.P.S. connections: (1) Ball nose riser (3/8" O.D. copper tubing), or (2) 1/2" I.P.S. faucet connector. Use the enclosed coupling nuts (3) with the ball nose risers (1). Coupling nuts are not included with D111, D311 or D411 Series. **Important:** Use two wrenches when tightening. Do not overtighten.

**For models without fittings.**

- B. Note:** Be careful when bending the copper tubing. Kinked tubes will void the warranty. Solder connections (1) or use compression fittings (2) for 3/8" O.D. (1/4" nominal) copper tubing.

5



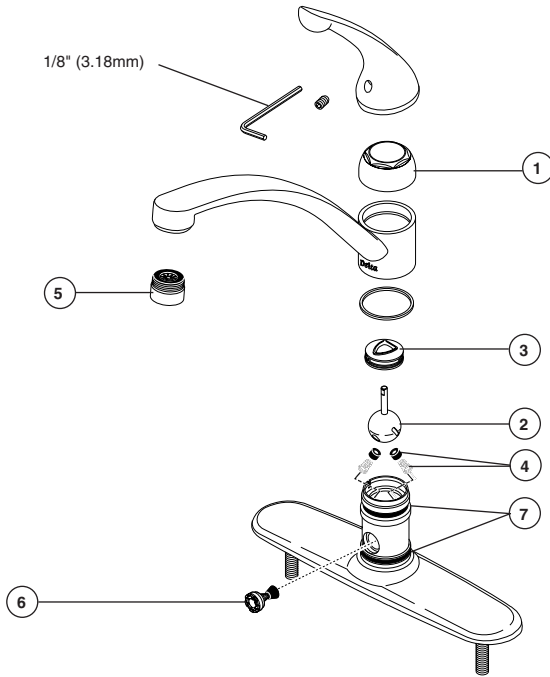
## Flush the System and Check for Leaks

Remove aerator (1) and turn faucet handle (2) to the full on mixed position. Turn on hot and cold water supplies (3) and flush water lines for one minute.

**Important: This flushes away any debris that could cause damage to internal parts.**

Check all connections at arrows for leaks. Re-tighten if necessary, but do not overtighten.





## Maintenance

**If faucet leaks from under handle:**

Remove handle and ensure cap (1) is tight.

**If leak persists—SHUT OFF WATER SUPPLIES.** Replace Ball Assembly (2)—Repair Kit RP70 and Cam & Packing (3)—Repair Kit RP61.

**If faucet leaks from spout outlet:** SHUT OFF WATER SUPPLIES. Replace Ball Assembly (2)—Repair Kit RP70 and Seats & Springs (4)—Repair Kit RP4993.

**If faucet exhibits very low flow**

A. Remove and clean Aerator (5), or  
 B. SHUT OFF WATER SUPPLIES. Clean Seats and Springs (4) of any debris.

**If spray attachment does not function properly:**

SHUT OFF WATER SUPPLIES. Remove Diverter Assembly (6) and clean.

**If condition persists—SHUT OFF WATER SUPPLIES.** Replace Diverter Assembly (6)—Repair Kit RP63136.

**If faucet leaks from base of spout:**

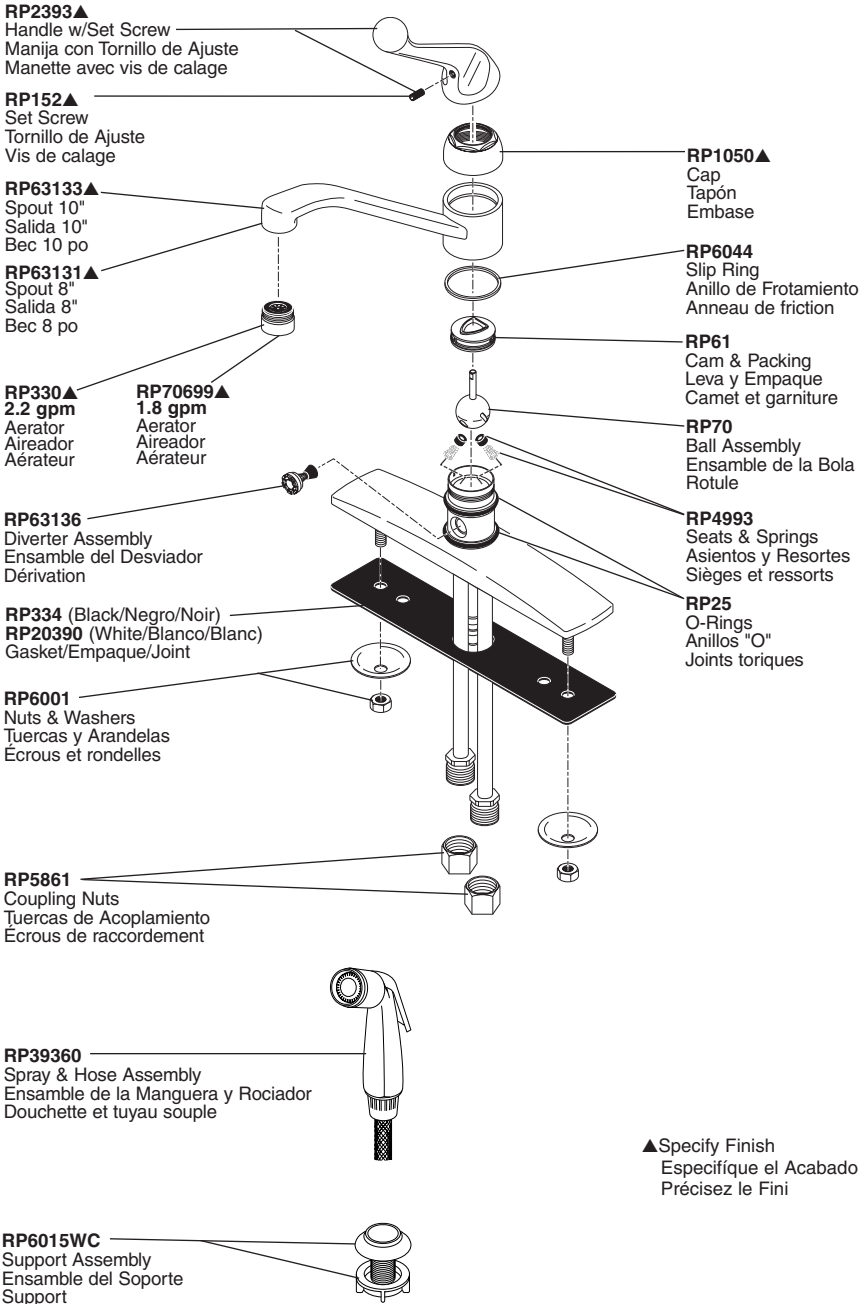
SHUT OFF WATER SUPPLIES. Remove spout and replace Spout O-Rings (7)—Repair Kit RP25.

## Cleaning and Care

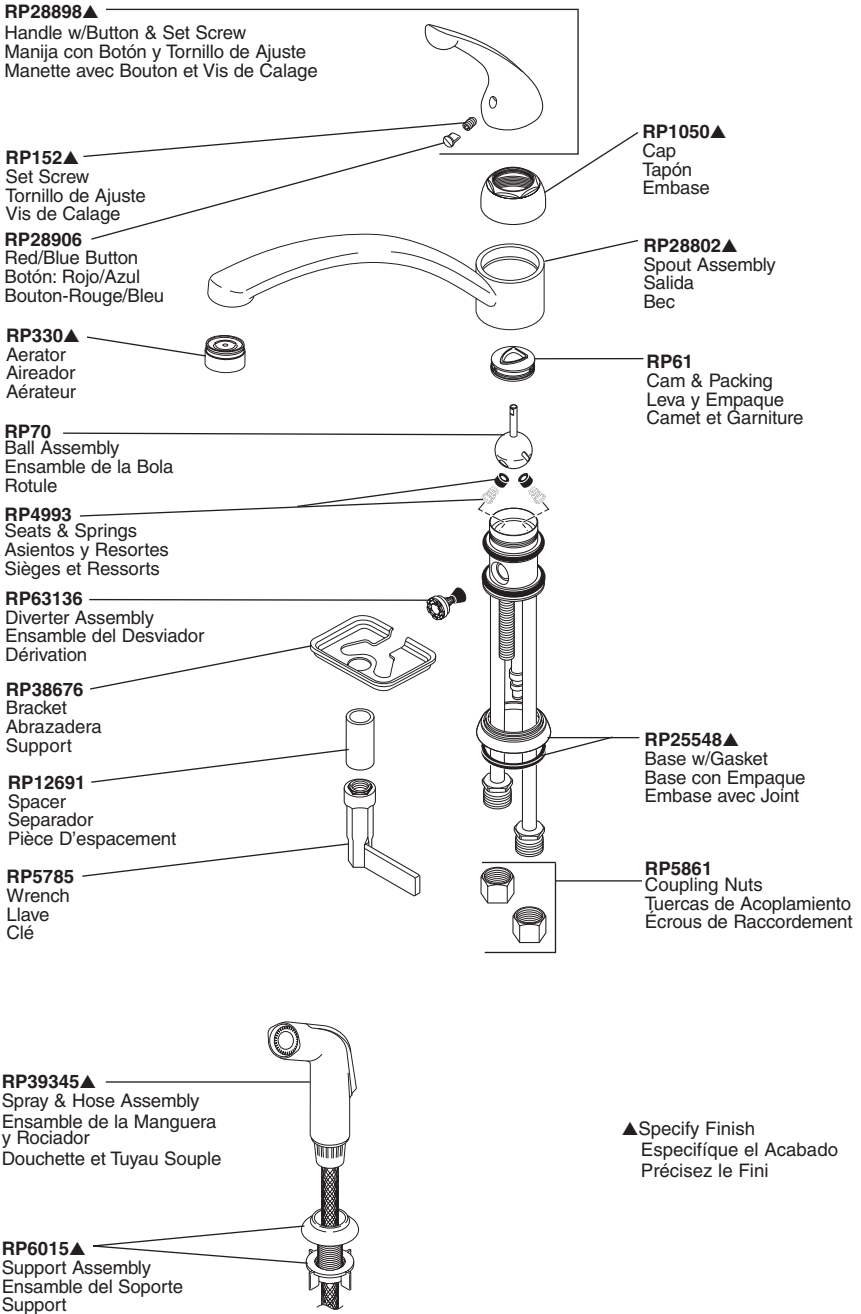
Care should be given to the cleaning of this product. Although its finish is extremely durable, it can be damaged by harsh abrasives or polish. To clean, simply wipe gently with a damp cloth and blot dry with a soft towel.

**Notes / Notas / Notes**

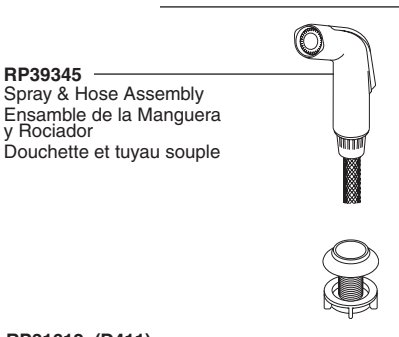
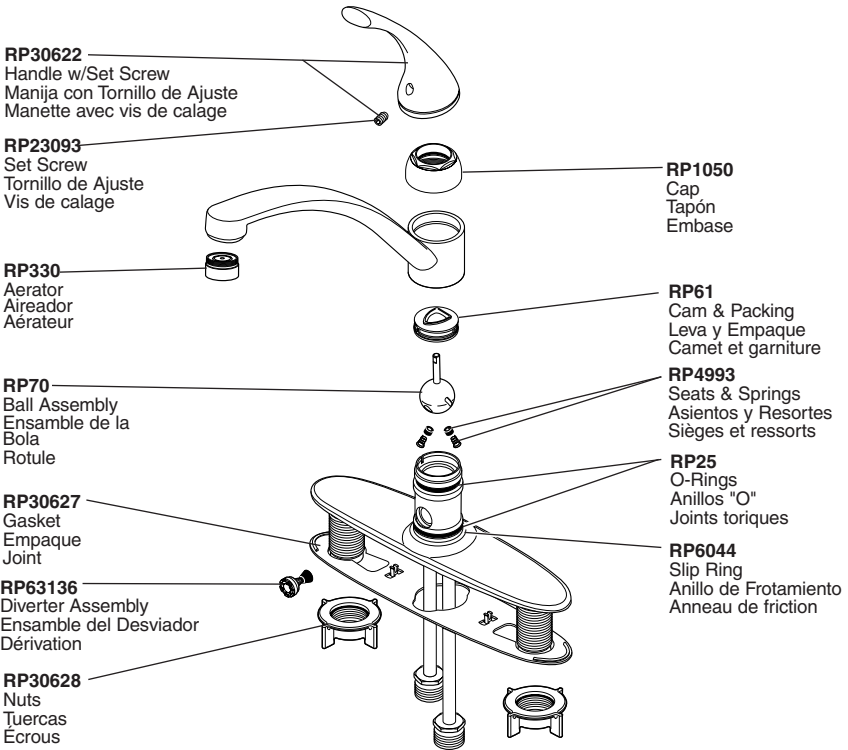
# 100, 400 SERIES/SERIA



# 103 & 403 SERIES/SERIA



# D111 & D411 SERIES/SERIA



▲Specify Finish  
Especifique el Acabado  
Précisez le Fini

# 140 & 440 SERIES/SERIA

**RP28898▲**  
 Handle w/Button & Set Screw  
 Manija con Botón y Tornillo de Ajuste  
 Manette avec Bouton et Vis de Calage

**RP152▲**  
 Set Screw  
 Tornillo de Ajuste  
 Vis de Calage

**RP28906**  
 Red/Blue Button  
 Botón: Rojo/Azul  
 Bouton-Rouge/Bleu

**RP18508▲**  
 Aerator  
 Aireador  
 Aérateur

**RP70**  
 Ball Assembly  
 Ensamble de la Bola  
 Rotule

**RP63136**  
 Diverter Assembly  
 Ensamble del Desviador  
 Dérivation

**RP5861**  
 Coupling Nuts  
 Tuercas de Acoplamiento  
 Ecrous de Raccordement

**RP39345▲**  
 Spray & Hose Assembly  
 Ensamble de la Manguera y Rociador  
 Douchette et Tuyau Souple

**RP6015▲**  
 Support Assembly  
 Ensamble del Soporte  
 Support

**RP1050▲**  
 Cap  
 Tapon  
 Embase

**RP28895▲**  
 Spout 9"  
 Salida 9"  
 Bec 9 po

**RP6044**  
 Slip Ring  
 Anillo de Frotamiento  
 Anneau de Friction

**RP61**  
 Cam & Packing  
 Leva y Empaque  
 Carnet et Garniture

**RP4993**  
 Seats & Springs  
 Asientos y Resortes  
 Sièges et Ressorts

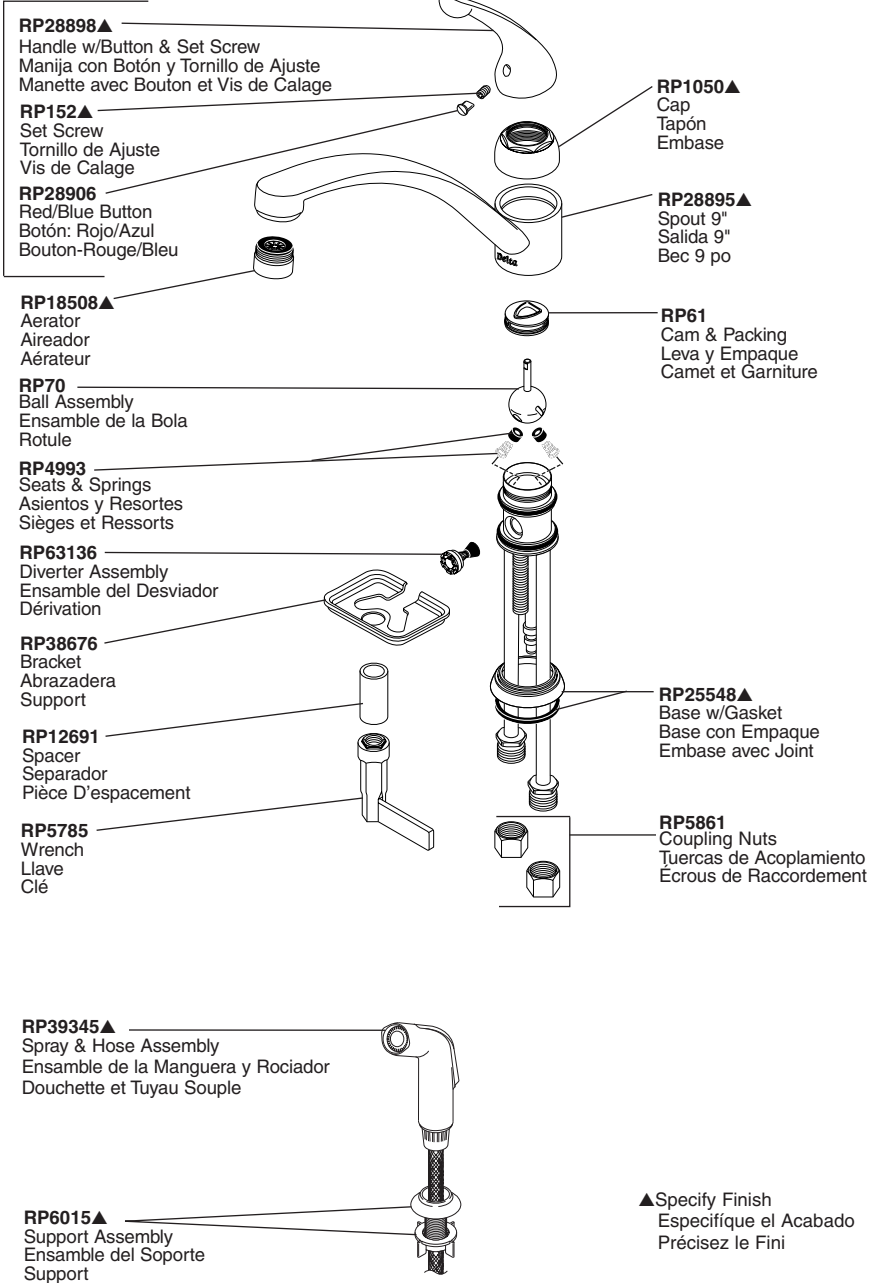
**RP25**  
 O-Rings  
 Anillos "O"  
 Joints Toriques

**RP28899**  
 Gasket/Empaque/Joint

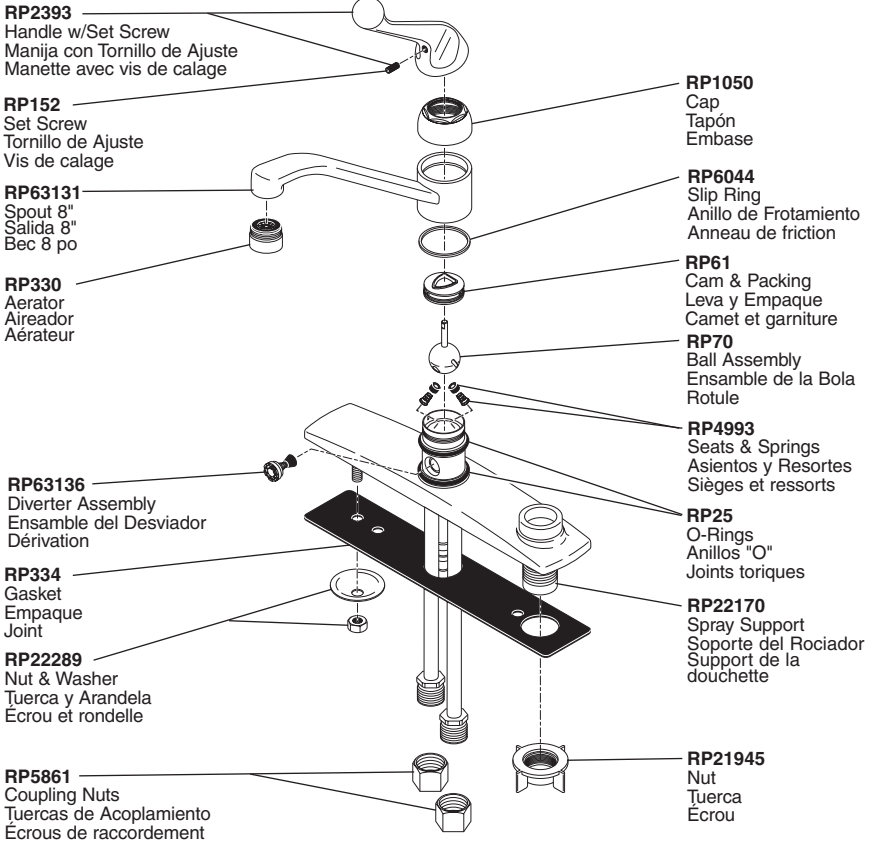
**RP6001**  
 Nuts and Washers  
 Tuercas y Arandelas  
 Ecrous et Rondelles

▲Specify Finish  
 Especificue el Acabado  
 Précisez le Fini

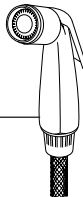
# 141 & 441 SERIES/SERIA



### 300 SERIES/SERIA



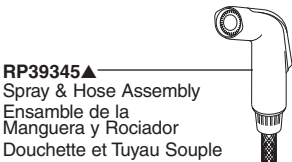
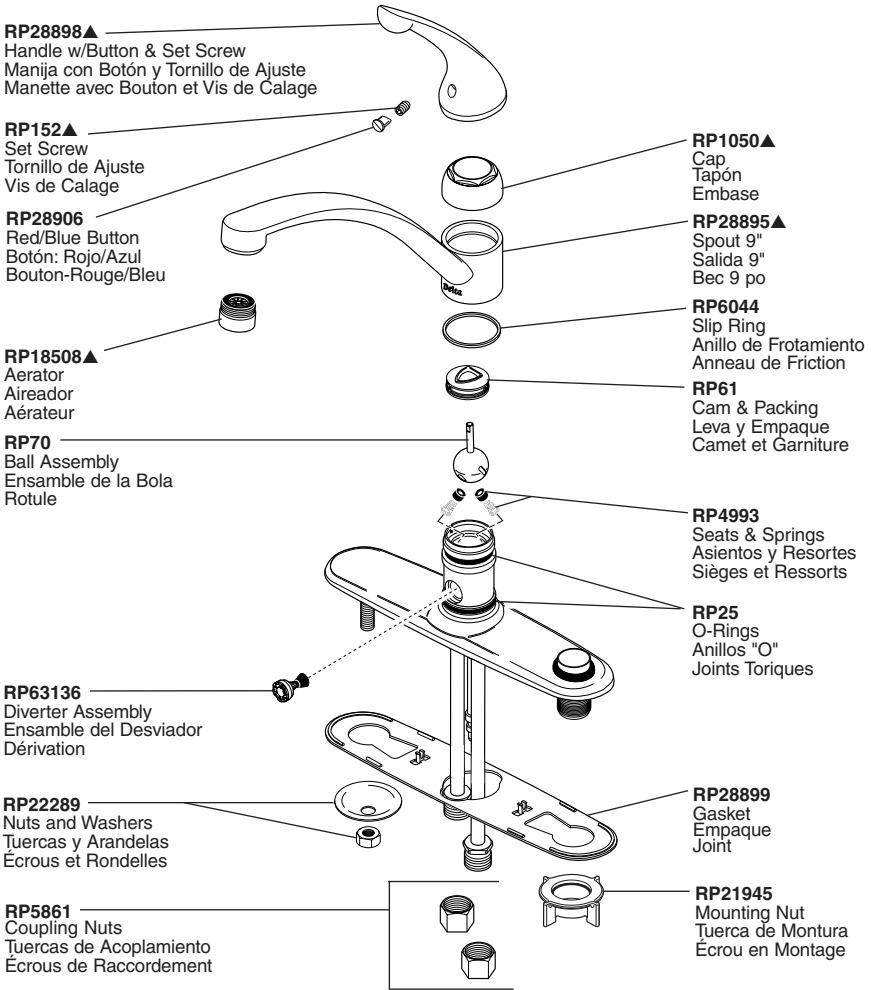
**RP39360**  
Spray & Hose Assembly  
Ensamble de la Manguera y Rociador  
Douchette et tuyau souple



▲Specify Finish  
Especifique el Acabado  
Précisez le Fini



### 340 SERIES/SERIA



▲Specify Finish  
Especifique el Acabado  
Précisez le Fini