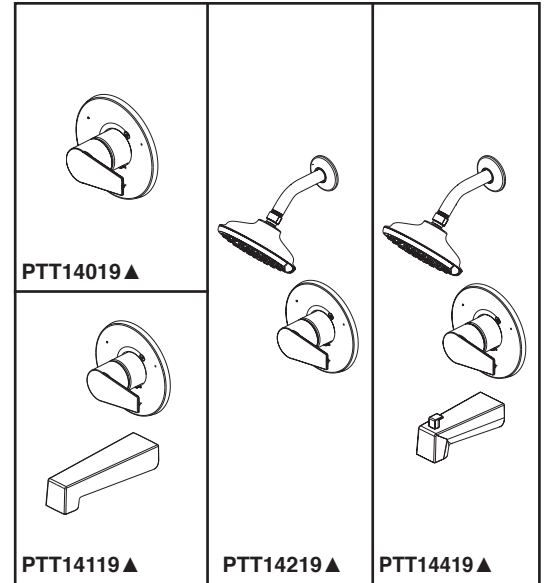
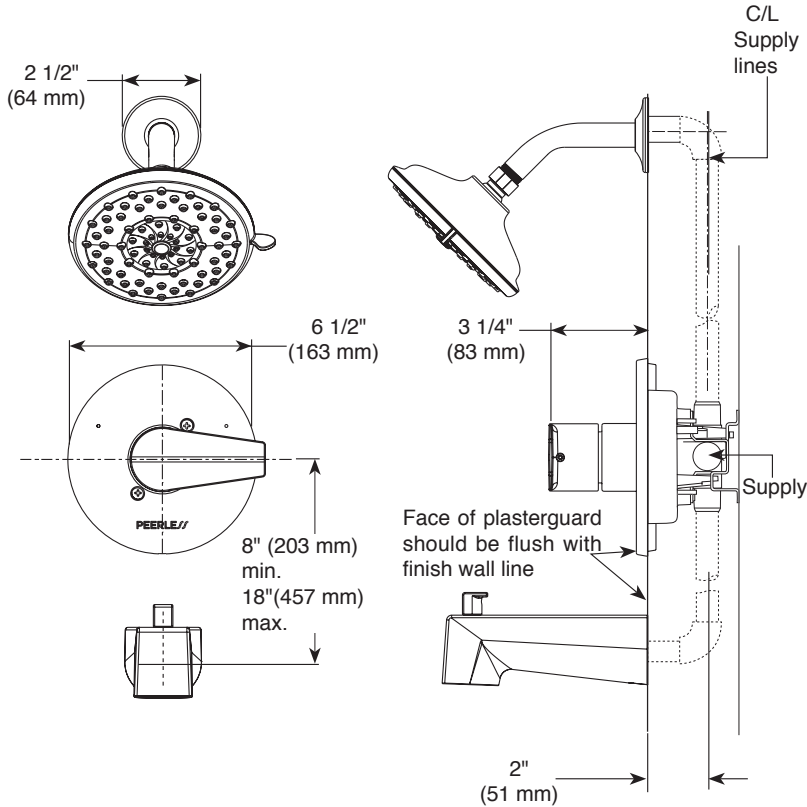


PEERLESS®

PTT14019▲
PTT14119▲
PTT14219▲
PTT14419▲



TUB AND SHOWER FAUCET TRIM

- Xander™ Collection
- Valve Only (PTT14019▲)
- Tub Only (PTT14119▲)
- Shower Only (PTT14219▲)
- Tub/Shower (PTT14419▲)

STANDARD SPECIFICATIONS:

- Maintains a balanced pressure of hot and cold water even when a valve is turned on or off elsewhere in the system
- For use with MultiChoice® Universal rough valve body (R10000 Series); not included
- Back-to-back installation capability
- Temperature only controlled with handle rotating a maximum of 120° from full cold to the full hot
- Cartridge utilizes integral check valve to prevent the cross flow of water within the valve
- Shower head maximum flow rate 1.5 gpm @ 80 psi, 5.7 L/min @ 550 kPa
- Easy-turn 3-spray setting shower head
- Slip-on tub spout

WARRANTY:

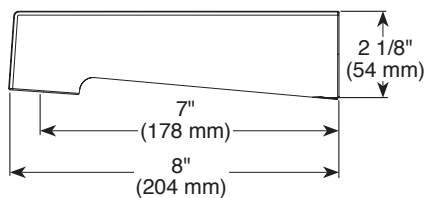
- Lifetime limited warranty on parts (other than electronic parts and batteries) and finishes; or, for commercial users, for 5 years from the date of purchase.
- 5 year limited warranty on electronic parts (other than batteries); or for commercial users, for 1 year from the date of purchase. No warranty is provided on batteries.



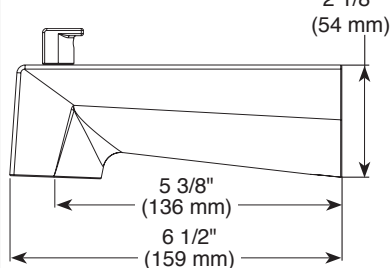
- ASME A112.18.1 / CSA B125.1
- EPA WaterSense® - Applies to PTT14219 & PTT14419 only

♿ Indicates compliance to ICC/ANSI A117.1 - Valve control only

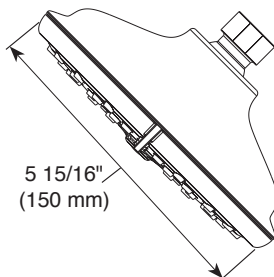
RP103452▲ For PTT14119 only



RP93996▲



RP93997▲ 1.5 GPM



▲ Designate proper finish suffix