



Buy it for looks. Buy it for life.®

# Specifications

## DESCRIPTION

- Metal construction with various finishes identified by suffix
- Designed to be installed through 2, 1-1/4" dia. holes 8" on center
- 3/4" MNPT connections
- Single function handheld shower
- 59" double interlock spiral hose (metal)
- Includes integral dual check valves for backflow protection

## OPERATION

- Cross style handles
- Maximum handle rotation angle is 90° to full on for either handle
- Rotate hot side counterclockwise to open and clockwise to close
- Rotate cold side clockwise to open and counterclockwise to close
- Lever diverter to switch between tub spout and handshower

## FLOW

- Faucet designed to deliver 10.0 gpm (37.9 L/min) at 45psi
- Handshowers of EP suffix models are limited to 2.0 gpm (7.6 L/min) max for products manufactured prior to June 30, 2018. EP suffix models manufactured after June 30, 2018 are limited to 1.75 gpm (6.7 L/min) max.

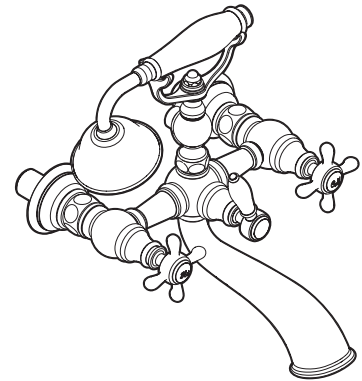
## STANDARDS

- Third party certified to ASME A112.18.1/CSA B125.1, and all applicable requirements referenced therein

## WARRANTY

- Lifetime limited warranty against leaks, drips and finish defects to the original homeowner
- 10 year limited warranty when used in a multifamily installation
- 5 year limited warranty when used in a commercial installation

Visit [www.moen.com/support](http://www.moen.com/support) for complete details and limitations



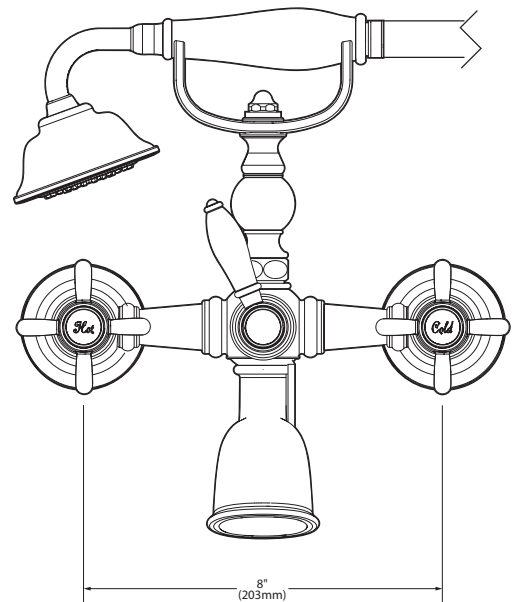
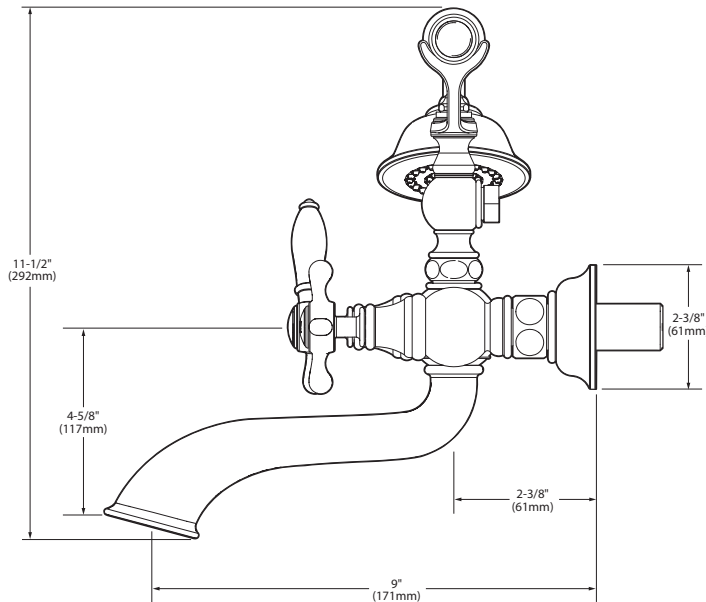
## Weymouth™ Two-Handle Wall Mount Tub Filler Faucet

Models: S22105 series

See second page for full floor  
mount tub filler



## Handshower S12107EP



## CRITICAL DIMENSIONS

(DO NOT SCALE)