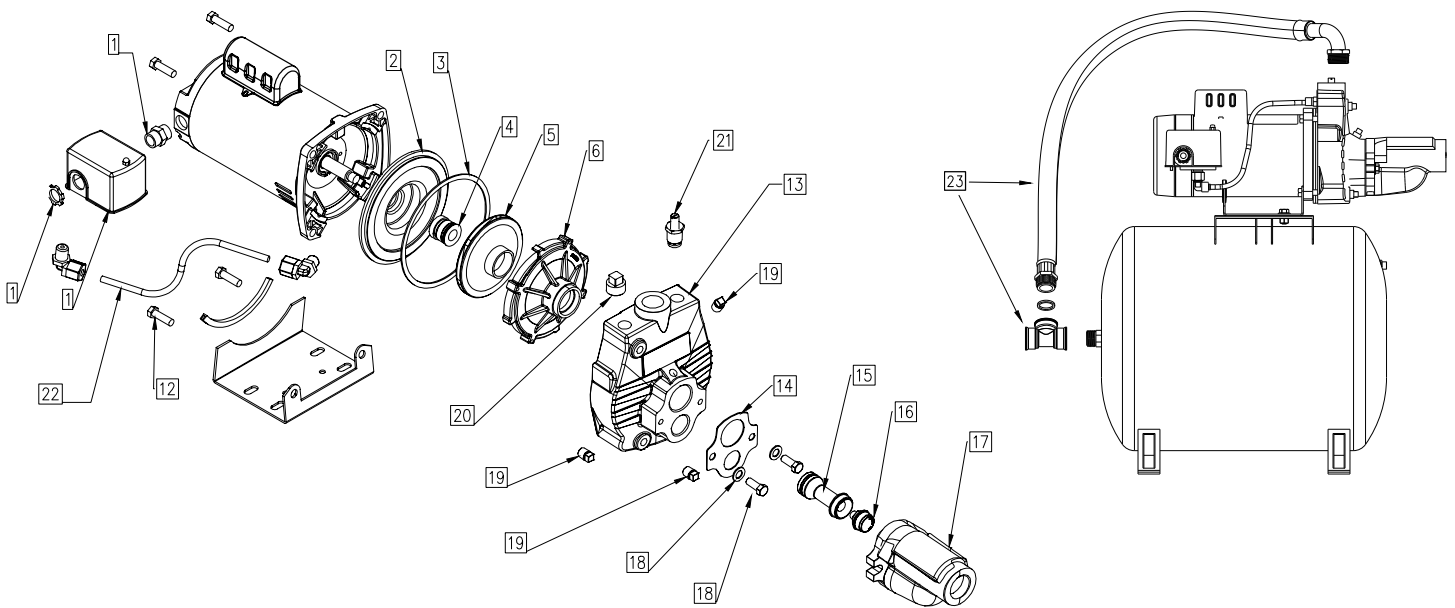


TROUBLESHOOTING

PROBLEM	CORRECTIVE ACTION
Motor will not start	No power to pressure switch due to blown fuses, open switches or loose connections.
	Pump pressure switch not closed.
Pump fails to deliver water	Pump not completely primed.
	Suction lift is too great.
	Foot valve is either not submerged, buried in the mud or plugged.
	Restrictor valve is fully closed.
Pump loses prime	Air leaks in suction line.
	Well draws down too far and requires a tailpipe.
	Faulty foot valve.
For well point installations where pump is losing pressure or unable to prime	Have an electrician install a low pressure cut-off switch to shut down the pump prior to critical failure.
	Install or adjust a restrictor valve to offset available capacity.
	Add a larger tank (20 gallon or larger) for additional capacity.

PROBLEM	CORRECTIVE ACTION
Pump delivers water but not at rated capacity	Leaks in suction or discharge line.
	Foot valve, suction line, impeller or nozzle are partially plugged.
	Suction lift is greater than recommended.
	Improper setting of control valve on deep well units.
	Improper impeller rotation or low speed.
	Venturi or diffuser is plugged.
	Motor is wired for improper voltage.
	Low line voltage at motor.
	Filtration cartridge (if used) needs changing or is not installed properly.
Pump starts and stops too often	Faulty air volume control.
	Air leaks in tank above the water level.
	Incorrect setting on pressure switch.
	Tank is water logged or incorrectly charged.
Can't remove plugs	Foot valve leaks or is stuck open.
	Use socket and ratchet instead of open style wrench. See PLUG DESCRIPTIONS AND SOCKET SIZES.

REPLACEMENT PARTS



Item	Contents	Item Description	Where Used	
305584002	2	Seal Plate Kit	RJC-50-PREM	RJC-75-PREM
305584009	3, 5, 6	Impeller/Diffuser Kit	RJC-50-PREM	
305584010	3, 5, 6	Impeller/Diffuser Kit	RJC-75-PREM	
305584012	3, 4	Shaft Seal Kit	RJC-50-PREM	RJC-75-PREM
305584014	1, 22	Pressure Switch Kit	RJC-50-PREM	RJC-75-PREM
305584024	22	Tube Kit	RJC-50-PREM	RJC-75-PREM
305584015	13	Case Kit	RJC-50-PREM	RJC-75-PREM
305584016	14, 15, 16	Nozzle/Venturi Kit	RJC-50-PREM	RJC-75-PREM
305584019	3, 4, 5, 6, 14, 15, 16	Overhaul Kit	RJC-50-PREM	
305584020	3, 4, 5, 6, 14, 15, 16	Overhaul Kit	RJC-75-PREM	
305584022	3, 12, 14, 18, 19, 20, 21	Gasket/Hardware Kit	RJC-50-PREM	RJC-75-PREM
305584023	17	Injector Housing Kit	RJC-50-PREM	RJC-75-PREM
640005	23	Pump/Tank Hardware Kit	RJC-50/RL6H	RJC-50/RL14H