

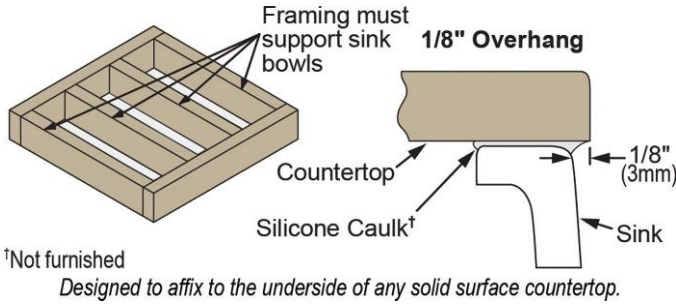
PRODUCT SPECIFICATIONS

Explore™ Fine Fireclay Single Bowl Undermount Sink. Overall dimensions are 23-5/8" x 21-1/8" x 10-1/2". Sink is molded from fine fireclay with a durable porcelain glaze providing a finish that is non-porous and resists staining. Naturally sound deadening and Rear Center drain placement.

Installation Type:	Undermount
Material:	Fine Fireclay
Finish:	White [gloss] (WH)
Number of Bowls:	1
Sink Dimensions:	23-5/8" x 21-1/8" x 10-1/2"
Bowl 1 Dimensions:	21" x 18-1/2" x 9-13/16"
Drain Size:	3-1/2" (89mm)
Drain Location:	Rear Center
Minimum Cabinet Size:	27"



Installation Profile:

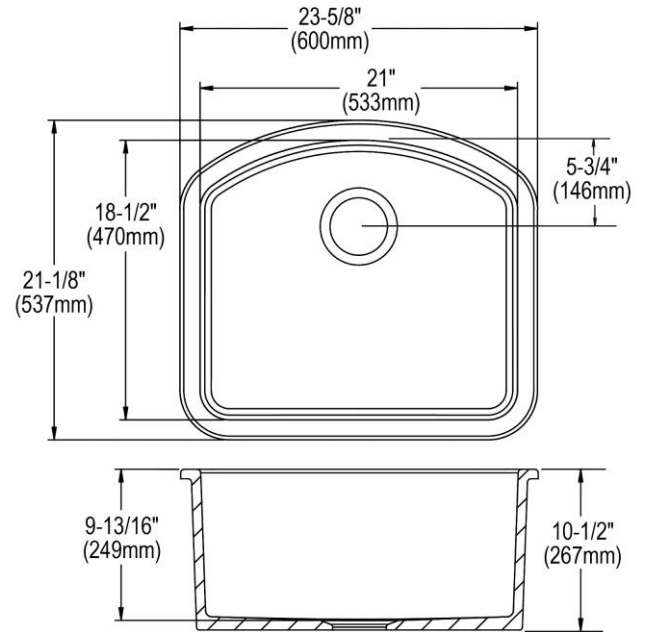


AMERICAN PRIDE. A LIFETIME TRADITION. Like your family, the Elkay family has values and traditions that endure. For almost a century, Elkay has been a family-owned and operated company, providing thousands of jobs that support our families and communities.

Product Compliance: ASME A112.19.2/CSA B45.1
[Clean and Care Manual \(PDF\)](#)
[Installation Instructions \(PDF\)](#)
[Limited Lifetime Warranty \(PDF\)](#)

OPTIONAL ACCESSORIES

Bottom Grid:	LKSWOBG2119SS
Drain:	LK99
Faucet:	LK9402, LK9405
Rinsing Basket:	LKSWRB2119SS, LKWRB2118SS



PART: _____ QTY: _____
 PROJECT: _____
 CONTACT: _____
 DATE: _____
 NOTES: _____
 APPROVAL: _____

In keeping with our policy of continuing product improvement, Elkay reserves the right to change product specifications without notice. Please visit elkay.com for the most current version of Elkay product specification sheets. This specification describes an Elkay product with design, quality, and functional benefits to the user. When making a comparison of other producers' offerings, be certain these features are not overlooked.