

### FEATURES

#### **SP Bowl**

- DYNAMAX™ TORNADO FLUSH® system, high efficiency (1.28GPF/0.9GPF)
- CEFIONTECT® ceramic glaze - prevents debris, mold from sticking to ceramic surfaces
- Universal Height
- Square shape front bowl

#### **SoftClose® Seat**

- Square shape closed front toilet seat and cover with SoftClose hinge system
- Mounting hardware included
- Made from urea-resin
- Quick release hinges for easier cleaning

#### **DuoFit® In-Wall Tank**

- High-efficiency dual flush 1.28 & 0.9 GPF (4.8 & 3.4 LPF)  
Avg. flush 1.03 GPF
- Adjustable 15" -19" mounting height
- Saves up to 9" of floor space compared to standard floor-mounted toilet
- Supports up to 880lbs
- Commercial 2" x 6" or optional residential installation with 2" x 4" wall studs with waste outlet kit
- Copper supply line

#### **Push Plate**

- Basic Square Push Plate - YT920#WH (White Matte) or YT920#MS (Matte Silver)

### KIT COMPONENTS

- CT449CFG#01  
SP Wall-Hung Toilet
- WT172M  
In-Wall Tank System (Copper Pipe)
- SS249#01  
SP Slim Square SoftClose Seat
- YT920#WH  
Basic Square Push Plate - White Matte  
or  
YT920#MS  
Basic Square Push Plate - Matte Silver

### COLORS/FINISHES

- Standard  
#01 Cotton



### CODES/STANDARDS

- Meets and exceeds:
  - Bowl: ASME A112.19.2/CSA B45.1, ASME A112.19.14
  - Carrier System: ASME A112.6.2
  - Tank Trim: IAPMO PS50, CSA B125.3, ASSE1002
- Certifications: IAPMO (cUPC), EPA WaterSense State of Massachusetts, City of Los Angeles and others
- Legislative compliance: California AB715, California Green Building Code, City of Los Angeles Water Efficiency Ordinance
- Code Compliance: UPC, IPC, NSPC, NPC Canada, and others



# CWT449249CMFG

## SP Wall-Hung Toilet, 1.28GPF & 0.9GPF

### PRODUCT SPECIFICATIONS

	CT449CFG	SS249	WT172M
<b>Water Use</b>	1.28GPF & 0.9GPF (4.8LPF & 3.4LPF)		1.28GPF & 0.9GPF (4.8LPF & 3.4LPF)
<b>Flush System</b>	DynaMax™ TORNADO FLUSH®		DUAL-MAX®
<b>Min. Water Pressure</b>	8 psi (static)		8 psi (static)
<b>Water Surface</b>	5-1/2" X 4-1/8"		
<b>Trap Diameter</b>	2-1/8"		
<b>Installation Height</b>	15" to 19"		15" to 19"
<b>Trap Seal</b>	2-1/8"		
<b>Warranty</b>	One Year Limited Warranty	One Year Limited Warranty	One Year Limited Warranty
<b>Material</b>	Vitreous China	Urea-Resin	Various
<b>Shipping Weight</b>	68 lbs	9 lbs	38 lbs
<b>Shipping Dimensions</b>	22" L x 14.6" W x 16.5" H	20-5/8" x 19-1/8" x 3-1/4"	48" L x 26-1/2" W x 6" H

#### CT449CFG

This universal height, square shaped front bowl, high efficiency DYNAMAX TORNADO flushing system toilet shall be 1.28GPF & 0.9GPF. Toilet shall have CEFIONTECT® ceramic glaze. Toilet requires in-wall tank system and wall-mounted push-button type trip lever. Toilet shall be TOTO Model CT449CFG#01.

#### SS249

Seat shall be made from urea-resin for both the seat and seat cover. The seat installation is top mount installation with adjustable hinge plates and stainless steel hinge caps.

#### WT172M

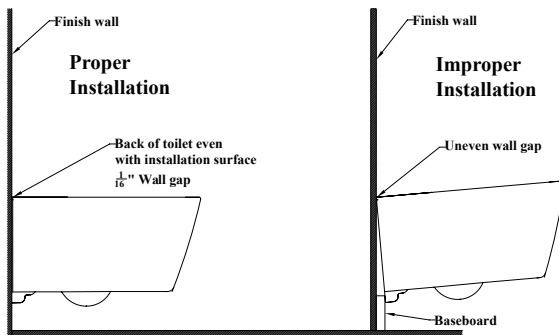
This universal height, high-efficiency, dual flushing, in-wall tank system toilet shall be 1.28GPF & 0.9GPF. Requires TOTO toilet model CT449CFG and wall-mounted push plate. In-Wall tank system shall be TOTO Model WT172M.

#### YT920

Dual button push plate required. Basic Wall comes in two options, White Matte or Matte Silver.

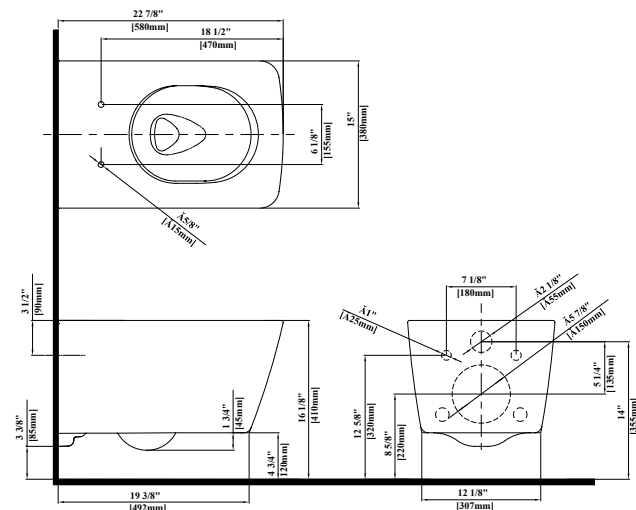
### INSTALLATION NOTES

- Adequate structural bracing is required

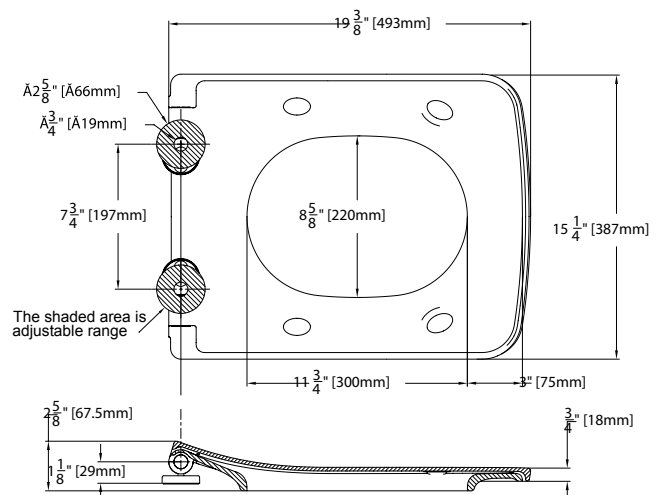


### PRODUCT DIMENSIONS

#### CT449CFG



#### SS249

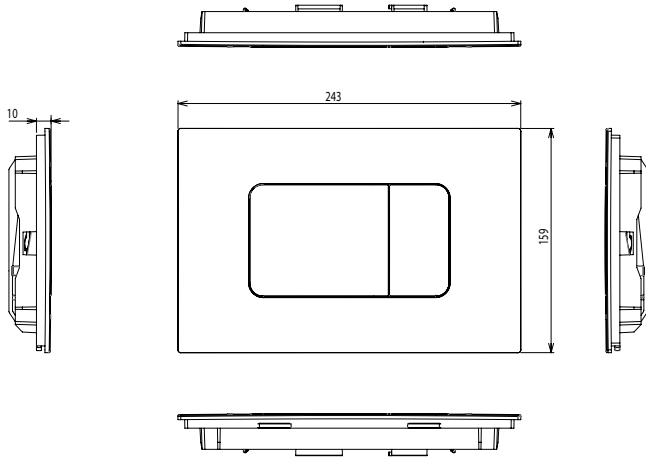


# CWT449249CMFG

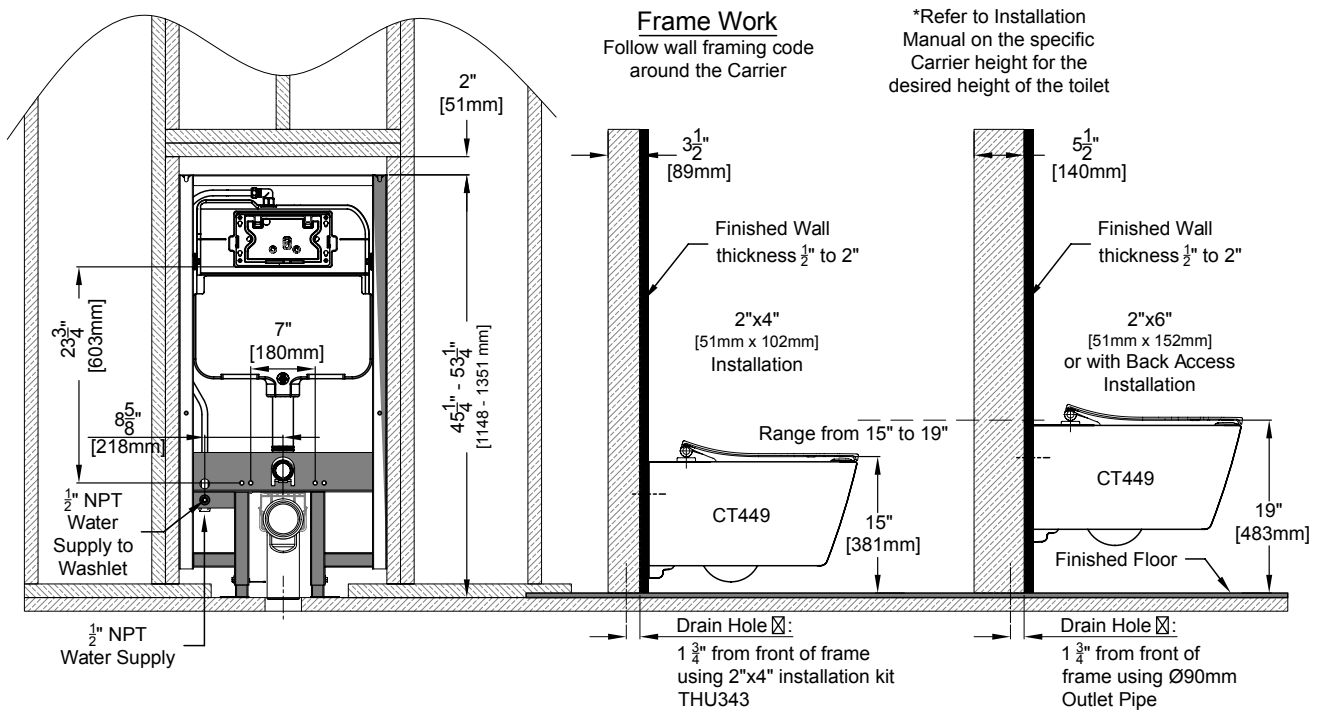
## SP Wall-Hung Toilet, 1.28GPF & 0.9GPF

### PRODUCT DIMENSIONS

#### YT920#WH or YT920#MS



#### WT172M



**TOTO**

These dimensions and specifications are subject to change without notice