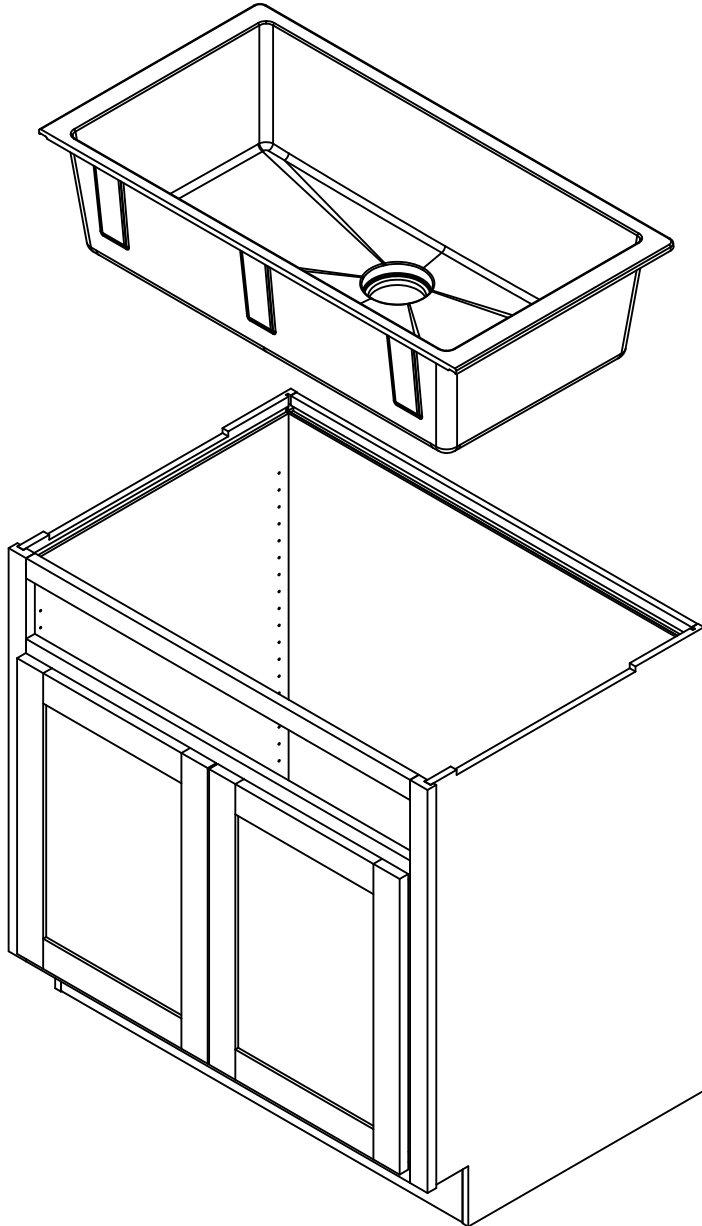


## Installation Instructions

---



NOTE: If Undermount Sink is installed in its minimum (36 inches) recommended cabinet, side clips are not required as sink can rest on cabinet side walls.

Clips and fasteners are still required on back of sink.

The sink can then be traced onto the side walls of the Cabinet to show what material must be removed.

Elkay recommends removing material 1/16 of an inch at a time until the desired look is achieved between the cabinet, sink and countertop.