

ALCOVE BATHTUB

Installation Guide



TAS6030R & TAS6030L

Installation Instructions



Model: TAS6030R & TAS6030L

Thank you for choosing ProStock! We are the standard for superior quality and affordable bathroom fixtures. To ensure that your installation is smooth, please read the instructions carefully before you start.

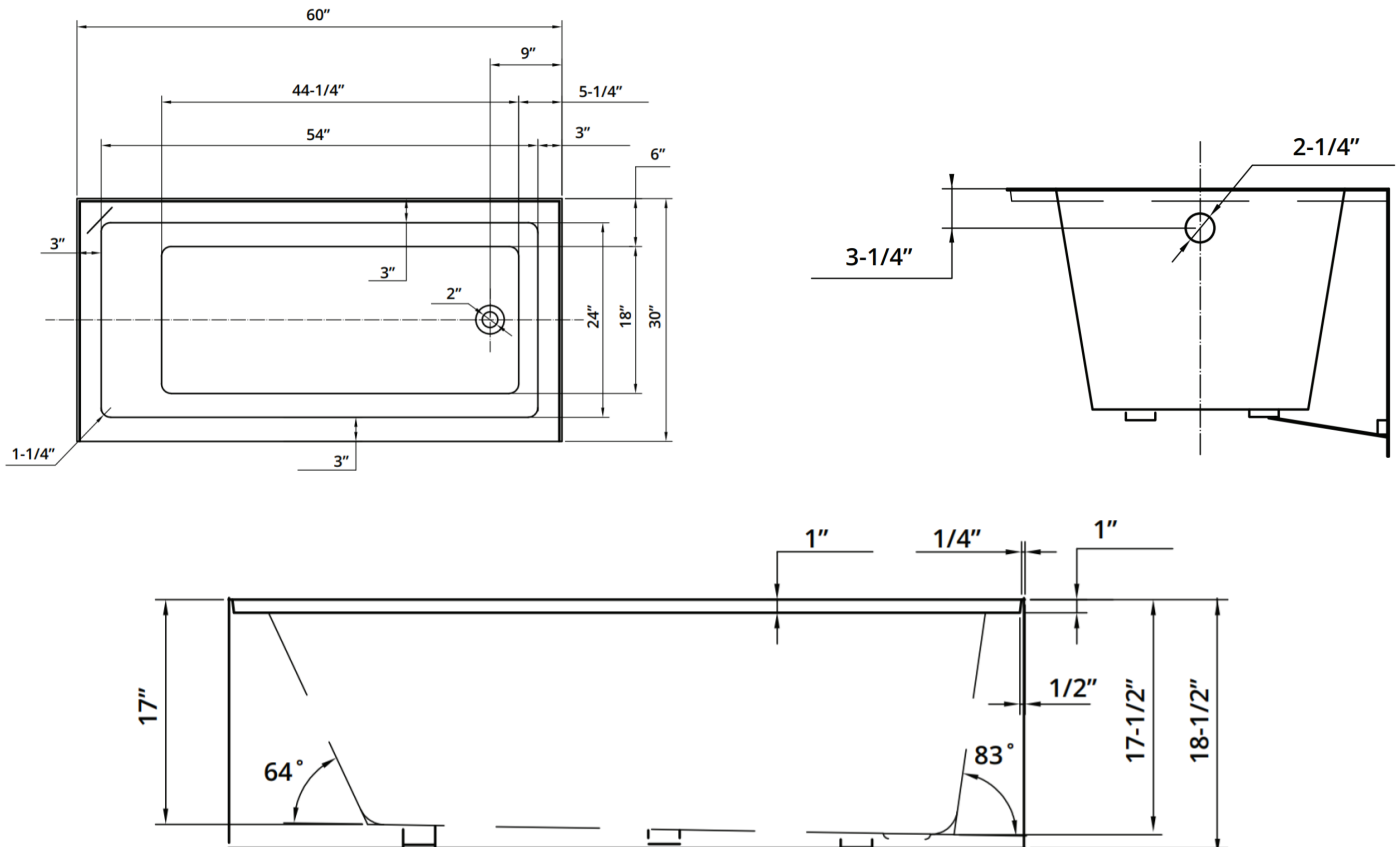
BEFORE YOU BEGIN

- Your tub is shipped to you after careful and thorough inspection.
- For maximum performance, please follow the instructions and cautions in detail.
- Local building codes vary by location. Observe local plumbing and building codes.

TOOLS & MATERIALS NEEDED

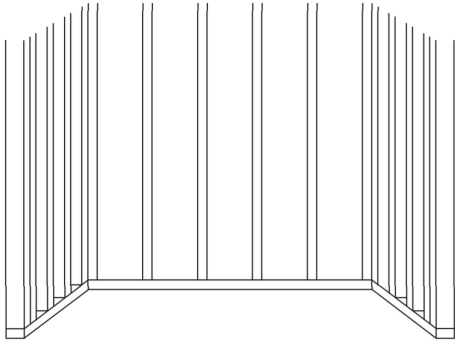
- Level
- Square
- Tape Measure
- Pipe Wrench
- Slip Joint Pliers
- Screw Driver
- Standard Woodworking Tools
- Personal Safety Equipment
- Caulking Gun
- Nails
- Plumber's Putty
- Silicone Sealant
- Drop Cloth
- Mortar Mix or Grout
- 1 x 3 or 2 x 4 Stringers

ROUGH-IN INFORMATION

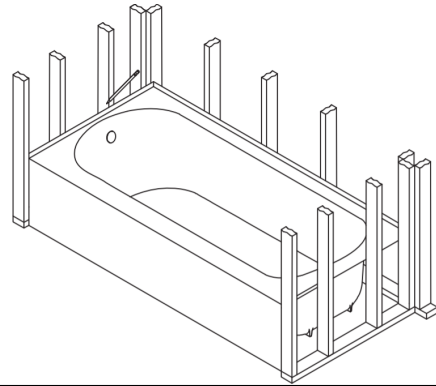


1

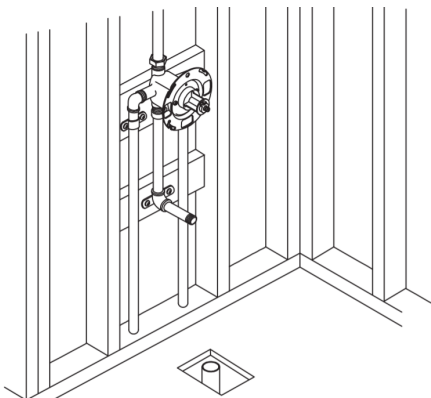
Frame the area where the tub will be installed.

**2**

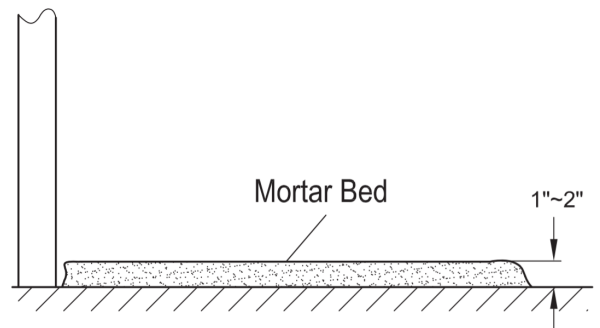
Place the tub on the area where it will be installed. Level the tub on all sides and mark the location of the drain and the wall studs on the tile flange.

**3**

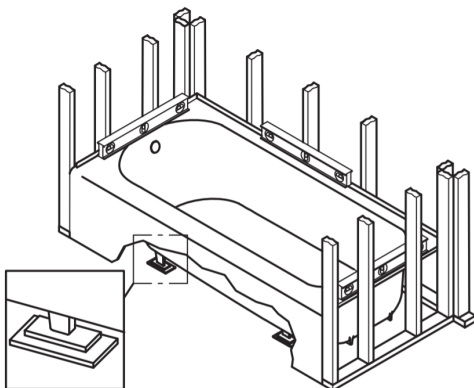
Remove the tub and install the drain. Predrill holes on the tile flange at the marked location of the studs.

**4**

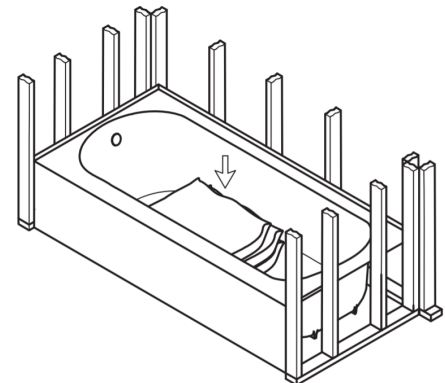
Apply a thin layer (1" to 2" of mortar mix cement) on the area where the tub will be sitting.

**5**

Put the tub in place. Make sure the tub is flat and level. Adjust as necessary.

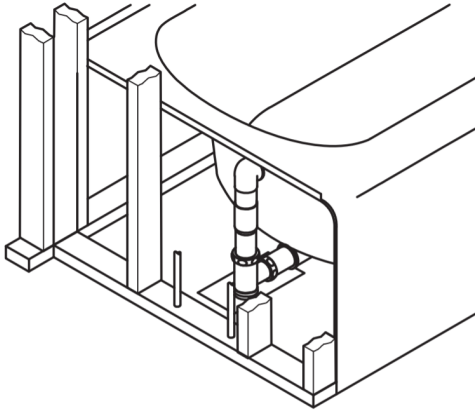
**6**

Secure the tub to the wall with galvanized screws. Screw into the predrilled holes. Put weight in the middle of the tub until the mortar sets.



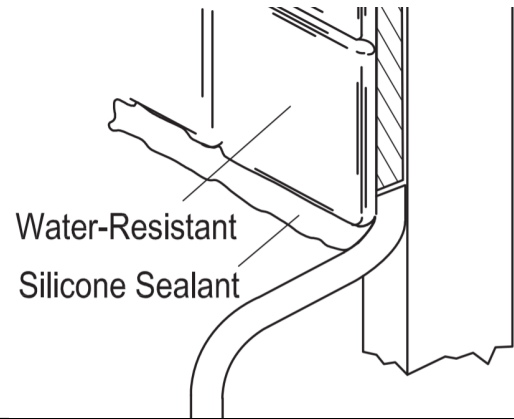
7

Frame the area where the tub will be installed.



8

Install water-resistant gypsum board and finish surface material. Seal all edges with silicone caulking to prevent water damage.



Post- Installation Clean-Up



Remove all construction debris from the tub. Remove tile grout with a wooden popsicle stick or tongue depressor. Never use wire brushes or any metal implement on the tub surface.

Using warm water and liquid dishwashing detergent can generally complete post-intallation cleanup. Use Painter's naphtha to remove excess adhesives and/or wet oil-base paint.

AFTERCARE and CLEANING

- Do not fill the tub with extremely hot water as it may damage the surface.
- Always remove bath mat after use and hang to dry. Do not leave the bath mat to dry in the tub to prevent surface damage.
- Use mild liquid household detergent cleaner after use. Do not use abrasive cleaners.

AVOID USING HARSH CHEMICALS ON ACRYLIC SURFACES.

- Do not fill the tub with extremely hot water as it may damage the tub's surface.
- To prevent dulling of the surface, avoid abrasive cleaners or powders.
- Restore dull areas by rubbing with a white polishing compound and applying a "liquid wax".
- Do not wax areas where you walk or stand.
- Do not use nail polish remover, acetone, dry cleaning fluid, paint remover, or other solvents on the surface.
- After caustic drain cleaners have been applied, clean the surrounding surface immediately.
- Prevent damage to the surface by avoiding contact with burning cigarettes.