



TAS6032

60" x 32"

Acrylic Soaker Bath Tub

Features:

- Soft curved, acrylic bath
- High gloss for easy cleaning
- Corner drain

Model #TAS6032

Structure: Built-In

Material: Glossy Acrylic

Color: White

Tub Length: 60"

Tub Width: 32"

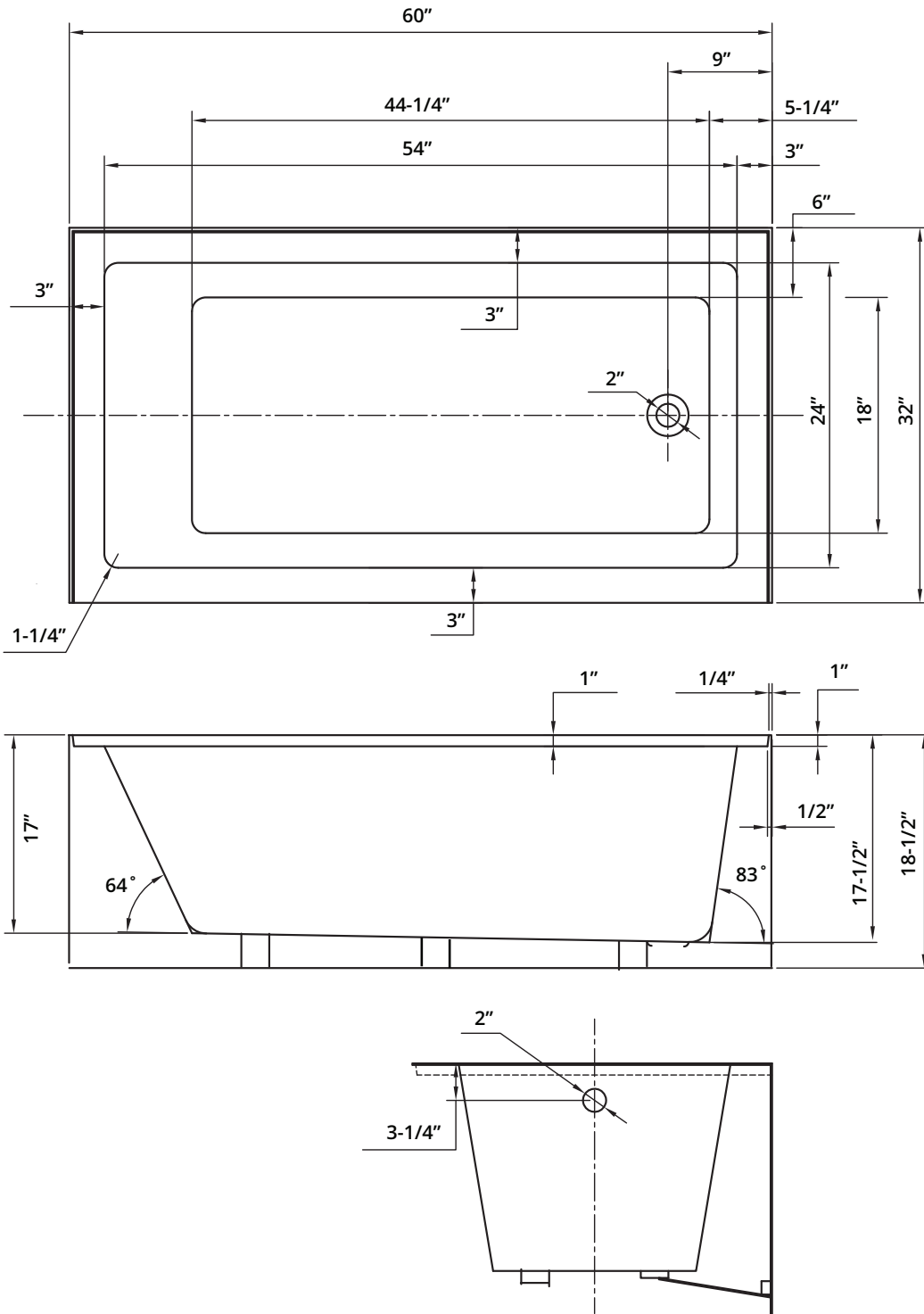
Tub Height: 18"

Weight Uncrated: 66 lbs.

This classic soaking alcove tub in high gloss white is designed to be built into an alcove. This bathtub offers an attractive design with the strength and durability of acrylic. This bathtub also features a built-in, reinforced bathtub support to enhance installation and performance.

ProStock alcove bathtub systems offer style and design with the strength and durability of acrylic material. We use a durable, bright white, high-gloss acrylic with the need for the rough, abrasive fiberglass backing. The tub is easy to clean after bathing.

TAS6032 60" x 32" x 18" Acrylic Soaker Bath Tub



Length: 60"

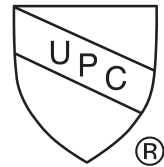
Width: 32"

Height: 18"

Weight: 52.8 lbs.

Capacity: 66 gal.

Certifications:

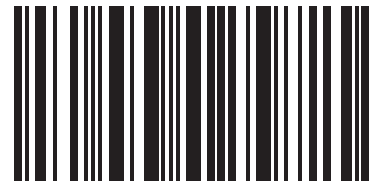


Right - #TAS6032R



748079803077

Left - #TAS6032L



748079803084



ProStock