



Buy it for looks. Buy it for life.®

**DESCRIPTION**

- Digital thermostatic shower valve design with 3/4" CC inlet connections and 1/2" CC outlet connections

**OPERATION**

- Must be used with the TS3304TB digital shower controller
- Smart phone app available for iOS and Android that provides increased user personalization of the shower
- Factory default maximum temperature setting of 115°F (46° C) with adjustability through the app up to 120°F (49° C)
- Valve must be installed in an area that has an access panel
- GFCI electrical outlet with continuous power (120V/60Hz) required

**FLOW**

- Designed to deliver 14 gpm (53 L/min) at 45 psi unrestricted total flow through all outlets
- Designed to deliver 6 gpm (22.7 L/min) at 45 psi unrestricted on any one outlet
- Flow rates applicable when installed on a pressure balanced dedicated supply
- Water supply minimum incoming pressure of 20 psi

**STANDARDS**

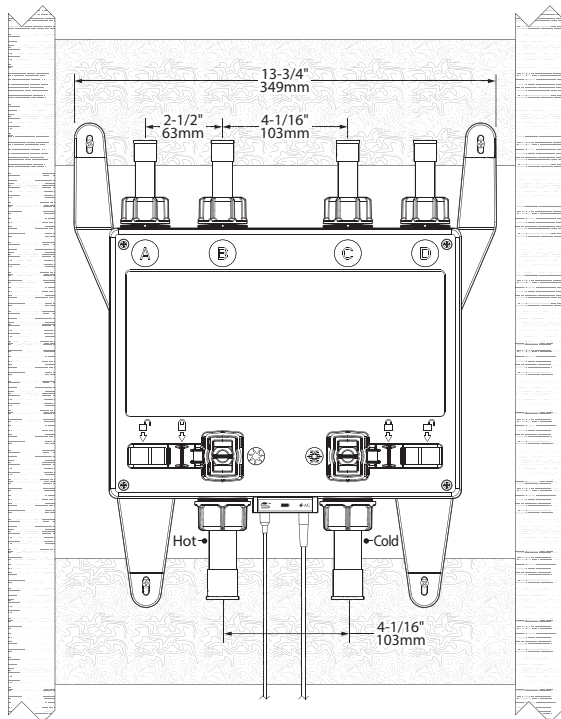
- Valve and Controller system third party certified by IAPMO (cUPC) to meet ASSE 1016/ASME A112.1016/CSA B125.16, ASME A112.18.1/CSA B125.1, UL 1951, CSA C22.2 Nos. 14 and 68
- Third party certified to meet FCC part 15 Class B
- Third party certified to meet Industry Canada RSS-210

**WARRANTY**

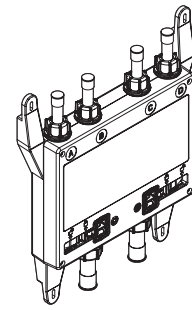
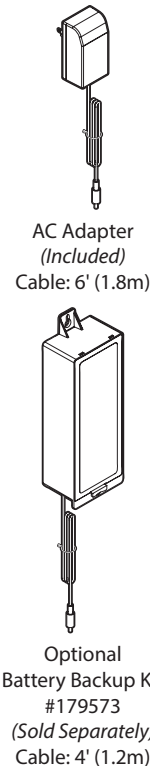
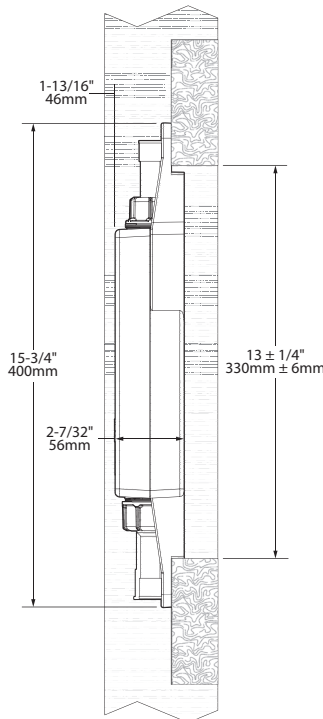
- Lifetime limited warranty against leaks and drips to the original homeowner
- 10 year limited warranty against leaks and drips when used in a multifamily installation
- 5 year limited warranty against leaks and drips when used in a commercial installation
- 5 year limited warranty against electronic operation defects to the original homeowner or when used in a multifamily installation
- 1 year limited warranty against electronic operation defects when used in a commercial installation

**INSTALLATION**

- Install product following the Installation Guide
- Power supply and valve must not be installed where the ambient temperature can exceed 104°F (40° C) or where freezing may occur
- Valve fits between 2 X 4 studs spaced at 16" (406 mm) or 24" (610 mm)
- 30' (9.1 m) data cable connects the valve to the controller



**CRITICAL DIMENSIONS**  
(DO NOT SCALE)



**U by Moen™**  
**4-Outlet Digital Thermostatic Shower Valve**

**Model: S3104**



Valve and  
Controller System

