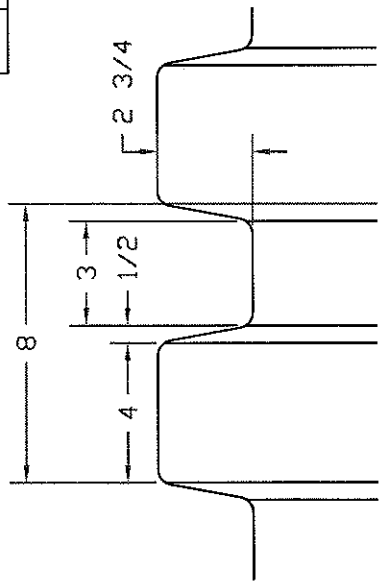
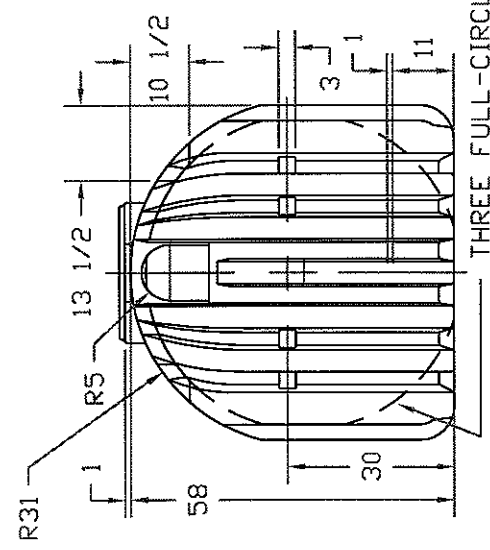
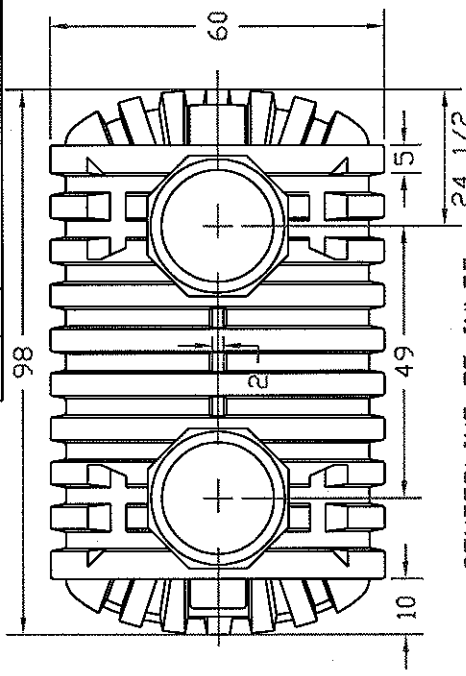


REVISIONS		REVISIONS	
ZONE	REV	DESCRIPTION	DATE
	F	IN/OUT HUBS REM'D	14OCT02
	C	REDRAWN, DIMS UPDATED	17FEB97
	D	WAS 1000 GALLON	26MAY98
	E	WAS 40324	03JUN02

REVISIONS		REVISIONS	
ZONE	REV	DESCRIPTION	DATE
	F	IN/OUT HUBS REM'D	14OCT02
	C	REDRAWN, DIMS UPDATED	17FEB97
	D	WAS 1000 GALLON	26MAY98
	E	WAS 40324	03JUN02



RIB DETAIL 1/4 SCALE



CENTERLINE OF INLET

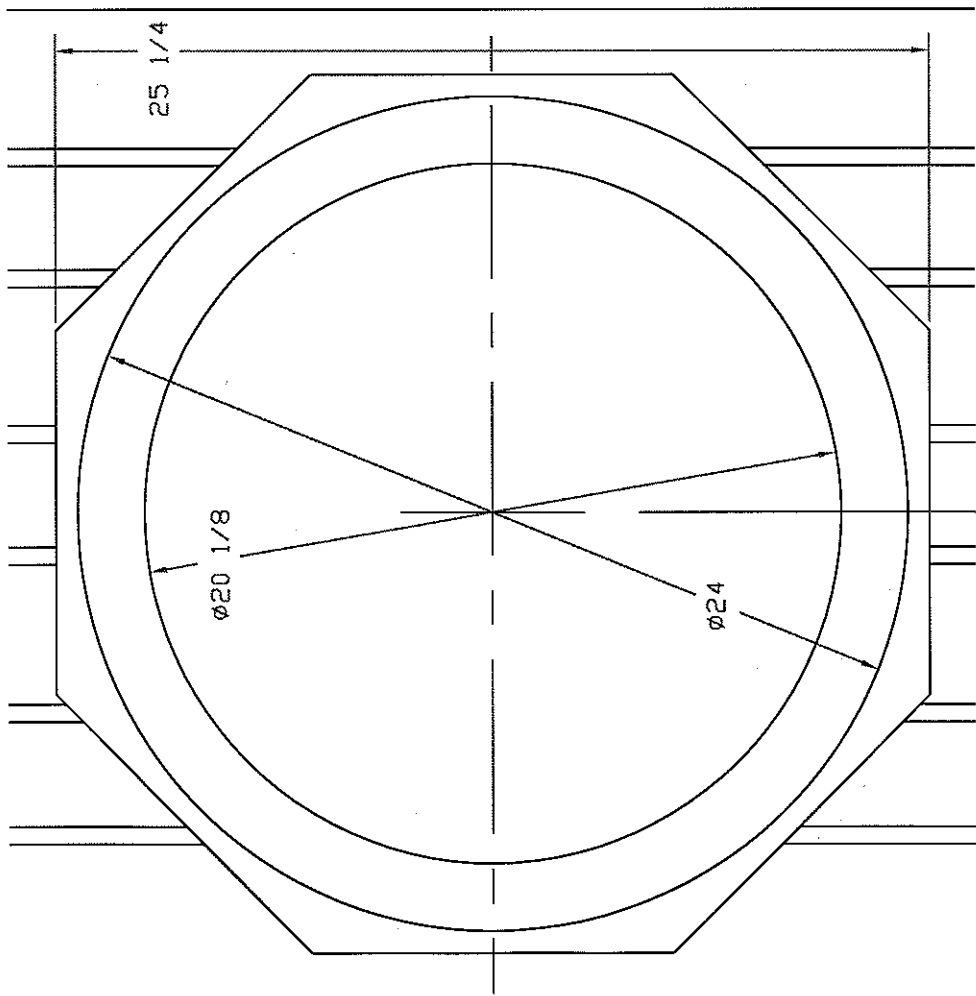
CENTERLINE OF OUTLET

NORWESCO
ST. BONIFACIUS, MN

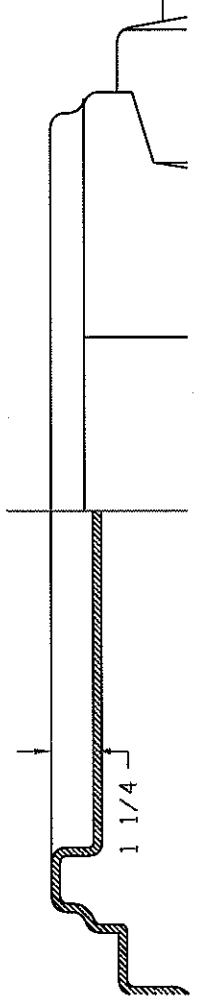
1200 GALLON CISTERN Ⓣ

JTP	17FEB97	SIZE B	FSCM NO.	DWG NO. 41329	REV F
				SCALE 1/24	SHEET 1 OF 2

REVISIONS				
ZONE	REV	DESCRIPTION	DATE	APPROVED
	C	REDRAWN, DIMS UPDATED	17FEB97	
	D	WAS 1000 GALLON	26MAY98	
	E	WAS 40324	03JUN02	
	F	IN/OUT HUBS REM'D	14OCT02	



MANHOLE DETAIL, 1/4 SCALE



NORWESCO
ST. BONIFACIUS, MN

1200 GALLON CISTERN Ⓣ

JTP	17FEB97	SIZE	B	FSCM NO.		DWG NO.	41329	REV	F
SCALE NOTED								SHEET 2 OF 2	