

Submittal: HBX SNO-0110 & SNO-0111

Project:[]

HBX Controls Inc Specification

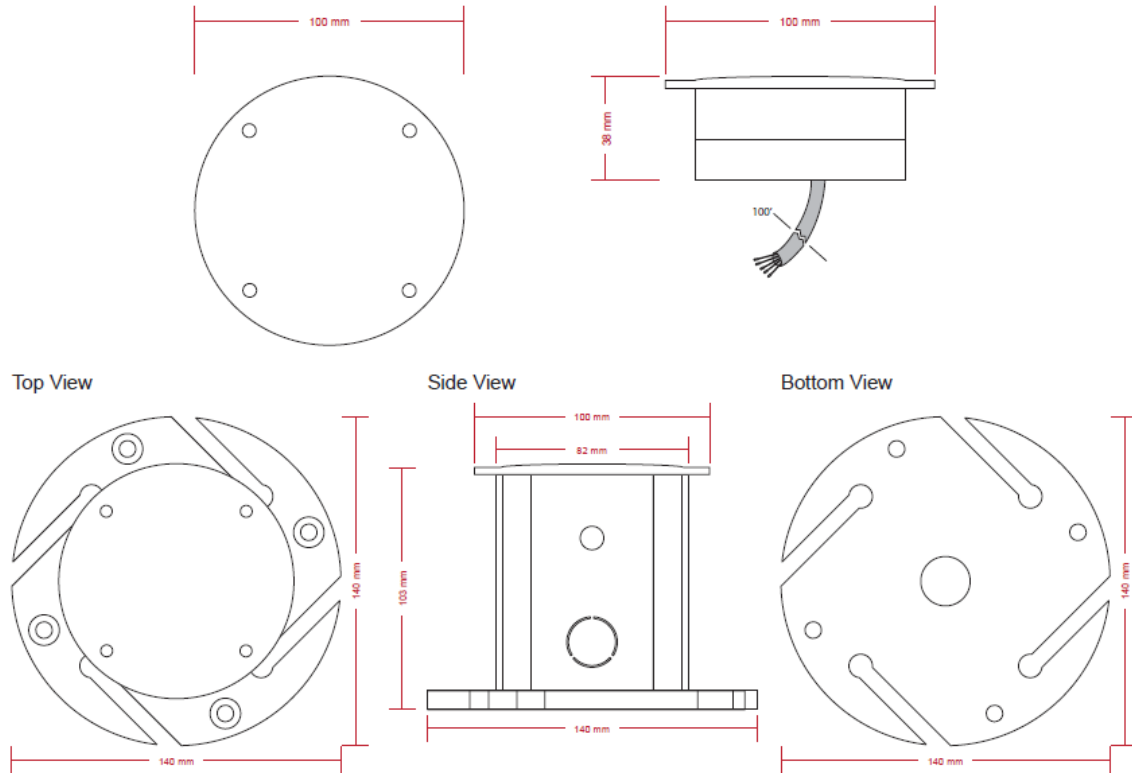
Part 1: SNO-0110 & SNO-0111 Product

1. The Sensor/Detector (SNO-0110) must be capable of determining a snowfall rate/intensity and transmit a corresponding digital signal to the main control unit. The Sensor/Detector must use optics for snow and ice detection.
2. The Sensor/Detector must be capable of directly interfacing to the HBX SNO-1000 (through SNO-0100) and HBX SNO-0500 snowmelt controls.
3. The Sensor/Detector must have an integrated slab sensor.
4. The Sensor/Detector must allow for remote (not in-slab) mounting.
5. The Sensor Socket (SNO-0111) must have leveling locations on base, and knockouts for conduit.
6. The Sensor Socket must provide a temporary protective cover to keep debris out of the Sensor Socket while snowmelt slab is under construction.
7. The Sensor/Detector and Socket must be ETL approved.

Part 2: Acceptable Products

1. HBX SNO-0110 & SNO-0111

Part 3: Physical Dimensions



Part 4: Technical Data, Main Parts & Labels

Inputs/Outputs:

N/A

Power supply:

N/A

Supplied Parts:

SNO-0110:

Sensor Cable – 100 ft, 22 AWG, 5 conductors

ETL Listings:

Meets CSA C22.2 No. 24
Meets UL Standard 873
ETL Control No. 3068143

Storage:

50°F to 104°F (10°C to 40°C)

Terminal Block Labels:

N/A