

PRODUCT SPECIFICATIONS

Asana® Cast Brass Single Bowl Vessel Sink. Overall dimensions are 18-15/16" x 18-15/16" x 6". Sink is cast from brass with a unique aged bronze, basket weave pattern on the outside and Center drain placement.

Installation Type:	Vessel, Top Mount
Material:	Cast Brass
Finish:	Basket Weave, Bronze Aged
Number of Bowls:	1
Sink Dimensions:	18-15/16" x 18-15/16" x 6"
Bowl 1 Dimensions:	17-3/4" x 17-3/4" x 6"
Drain Size:	1-1/2" (38mm)
Drain Location:	Center
Minimum Cabinet Size:	15"
Mounting Hardware:	Included
Template Included:	Yes
Cutout Template #:	74180334

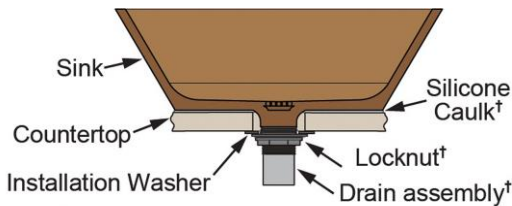
Template is available for download at [elkay.com](#)



This sink is compliant to ADA and ANSI/ICC A117.1 accessibility requirements when installed according to the requirements outlined in these standards.

Special Note: Vessels rests on countertop

Installation Profile:



†Not furnished

OPTIONAL ACCESSORIES

Drain:	LK174LO, LKAD174LO
---------------	--------------------



AMERICAN PRIDE. A LIFETIME TRADITION.

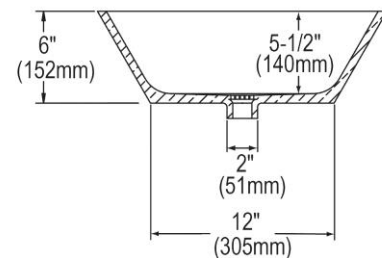
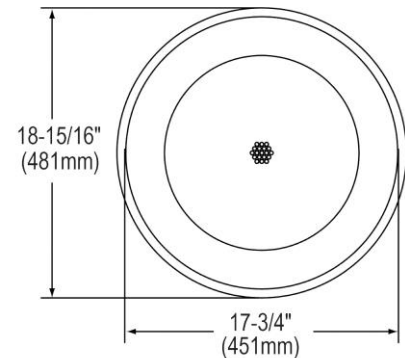
Like your family, the Elkay family has values and traditions that endure. For almost a century, Elkay has been a family-owned and operated company, providing thousands of jobs that support our families and communities.



Sinks are listed by IAPMO® as meeting the applicable requirements of the Uniform Plumbing Code®, International Plumbing Code®, and National Plumbing Code of Canada.

Product Compliance: ADA
BUY AMERICAN ACT

[Clean and Care Manual \(PDF\)](#)
[Installation Instructions \(PDF\)](#)
[Limited Lifetime Warranty \(PDF\)](#)



PART: _____ QTY: _____

PROJECT: _____

CONTACT: _____

DATE: _____

NOTES: _____

APPROVAL: _____

In keeping with our policy of continuing product improvement, Elkay reserves the right to change product specifications without notice. Please visit [elkay.com](#) for the most current version of Elkay product specification sheets. This specification describes an Elkay product with design, quality, and functional benefits to the user. When making a comparison of other producers' offerings, be certain these features are not overlooked.