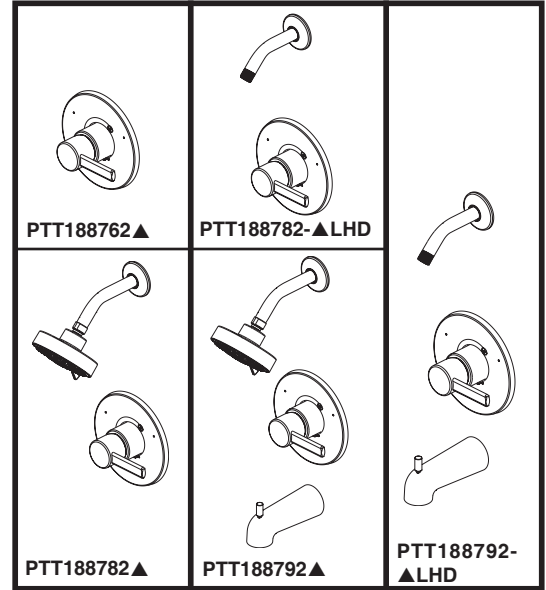
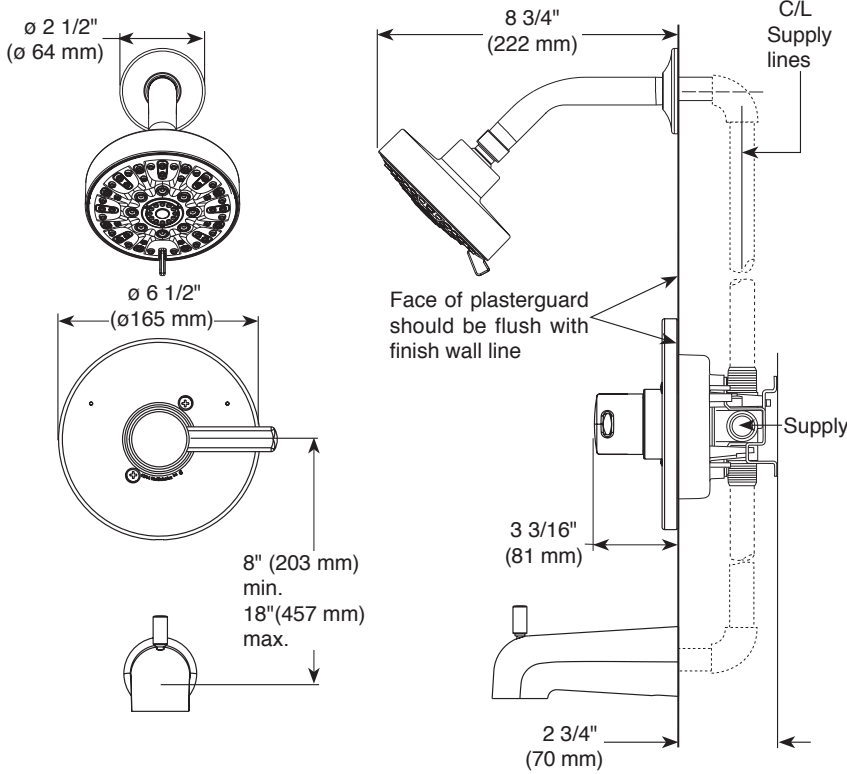


PEERLESS®

PTT188762▲
 PTT188782▲, PTT188782▲-LHD
 PTT188792▲, PTT188792-▲LHD



TUB AND SHOWER FAUCET

- Precept™ Collection
- Valve Only (PTT188762▲)
- Shower Only (PTT188782▲ & PTT188782▲-LHD)
- Tub/Shower (PTT188792▲ & PTT188792▲-LHD)

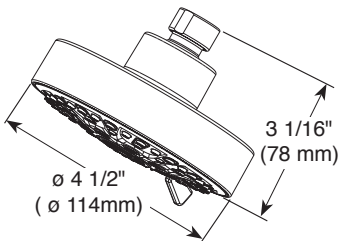
STANDARD SPECIFICATIONS:

- Maintains a balanced pressure of hot and cold water even when a valve is turned on or off elsewhere in the system.
- For use with MultiChoice® Universal rough valve body. (R10000 Series)
- Tub/Shower. Requires 2 3/4" wall cavity.
- Back-to-back installation capability.
- Cartridge utilizes integral check valves to prevent the cross flow of water within the valve.
- Field adjustable means to limit handle rotation into hot water zone.
- Red/blue markings on escutcheon for hot/cold identification.
- Temperature only controlled with handle rotating a maximum of 120° from full cold to the full hot.
- Easy turn dial to change shower head spray settings, pause is a non-positive shut-off
- Shower head with 6 spray settings - Full body spray, massage spray, full spray with massage spay, focus spray, full spray with focus spray & pause.
- "-LHD" models indicate less shower head.
- Shower head maximum flow rate is 1.5 gpm @ 80 psi, 5.7 L/min @ 550 kPa.

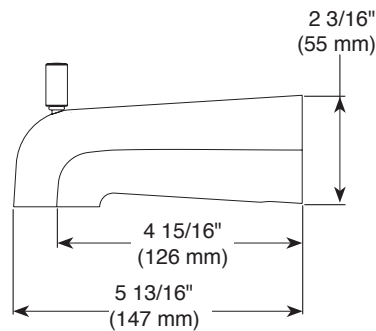
WARRANTY:

- Parts and Finish - Lifetime limited warranty; or for commercial purchasers, 10 years for multi-family residential (apartments and condominiums) and 5 years for all other commercial uses, in each case from the date of purchase.

RP101770▲-1.5
 1.5 GPM



RP82102▲



▲ Designate Proper Finish Suffix

PSP-B-PTT188782 Rev. E



WaterSense
 EPA Certified

WaterSense
 EPA Certified

WaterSense
 EPA Certified

WaterSense
 EPA Certified

WaterSense
 EPA Certified

WaterSense
 EPA Certified

WaterSense
 EPA Certified

WaterSense
 EPA Certified

WaterSense
 EPA Certified

WaterSense
 EPA Certified

WaterSense
 EPA Certified

WaterSense
 EPA Certified

WaterSense
 EPA Certified

WaterSense
 EPA Certified

WaterSense
 EPA Certified

WaterSense
 EPA Certified

WaterSense
 EPA Certified

WaterSense
 EPA Certified

WaterSense
 EPA Certified

WaterSense
 EPA Certified

WaterSense
 EPA Certified

WaterSense
 EPA Certified

WaterSense
 EPA Certified

WaterSense
 EPA Certified

WaterSense
 EPA Certified

WaterSense
 EPA Certified

WaterSense
 EPA Certified

WaterSense
 EPA Certified

WaterSense
 EPA Certified

WaterSense
 EPA Certified

WaterSense
 EPA Certified

WaterSense
 EPA Certified

WaterSense
 EPA Certified


WaterSense
 EPA Certified

WaterSense
 EPA Certified

WaterSense
 EPA Certified

WaterSense
 EPA Certified

COMPLIES WITH

- ASME A112.18.1 / CSA B125.1
- EPA WaterSense® - Applies to PTT188782 & PTT188792 only
-  Indicates compliance to ICC/ANSI A117.1 - Valve control only