

## Wash-N-Go!<sup>™</sup>

### MODEL A171100W SERIES BARRIER FREE, WALL MOUNTED HAND WASHING STATION

#### STANDARD FEATURES

- Child or Adult ADA Compliant (When Properly Installed)
- Gray Powder Coated Apron And One-Piece Bottom Wrapper or Satin Finish Stainless Steel
- Hands Free Sensor Operated "J" Spout
- 9V Battery Power or Plug-in Transformer
- Hanging Bracket Provided
- Rough-Ins Match Other Manufacturer's for Easy Replacement

#### SUGGESTED SPECIFICATIONS

Wall mounted ADA hand washing station shall be Murdock model A171100W series. Hand wash shall be activated by a hands free sensor operated faucet with 0.5 GPM Laminar flow outlet to minimize splash. Provide with 9 Volt DC battery power and plug-in transformer. Basin shall be constructed from 304 Stainless Steel and have an Integral Drain. Cabinet shall be either Galvanized or Galvannealed Steel with Gray Powder Coat Finish or Stainless Steel with Satin Finish. Unit to include a rear alcove splash guard manufactured from antimicrobial, impact resistant ABS. Unit to comply with ANSI A117.1, Public Law 111-380 (NO-LEAD), CHSC 116875. Fixture meets ADA, ADA Standing Person, and ADA Child requirements when mounted appropriately.



Model A171100W Shown

#### MODEL:

(Must Specify)

- A171100W Gray Finish (Standard)
- A171400W Stainless Steel Finish

#### OPTIONS:

(additional costs may be apply)

- EWH Electric Water Heater 120v<sup>1</sup>

#### Options Notes:

<sup>1</sup> Chronomite<sup>®</sup> Water Heater model CM12L/120 104F  
Refer to website: [www.Chronomite.com](http://www.Chronomite.com)

Complies with the following standards:



Member of  
U.S. Green  
Building  
Council



Recyclable  
Product



Water  
Conserving  
Product

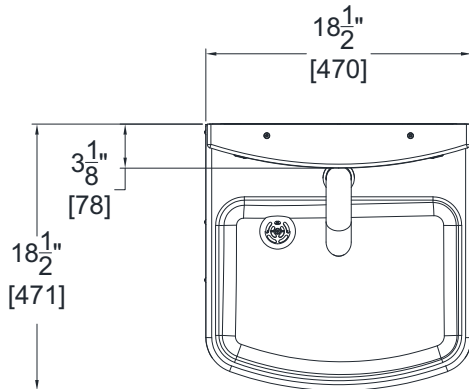
**WARNING:** Cancer and Reproductive Harm - [www.P65Warnings.ca.gov](http://www.P65Warnings.ca.gov)

**MURDOCK MFG.** • 15125 Proctor Avenue • City of Industry, CA 91746 USA  
Phone 800-453-7465 or 626-333-2543 • Fax 626-855-4860 • [www.murdockmfg.com](http://www.murdockmfg.com)

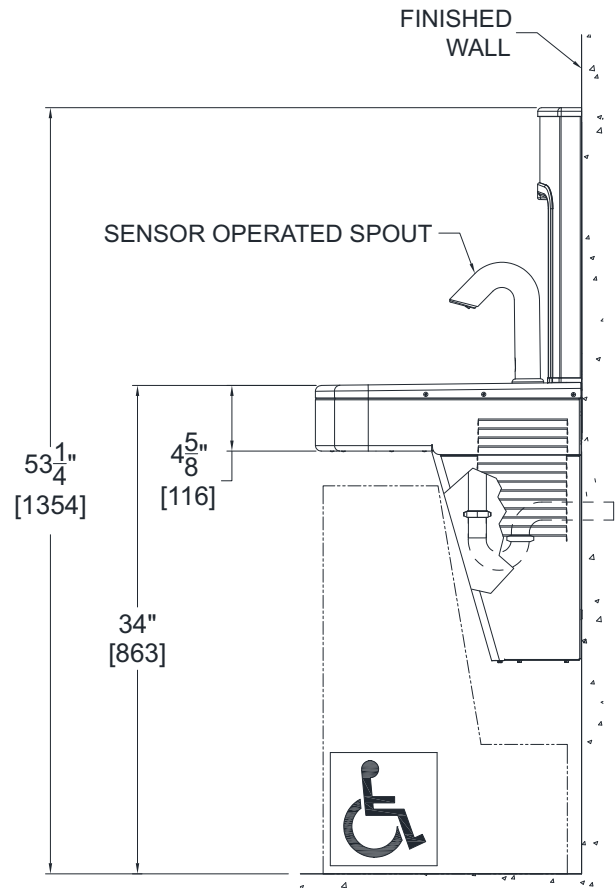
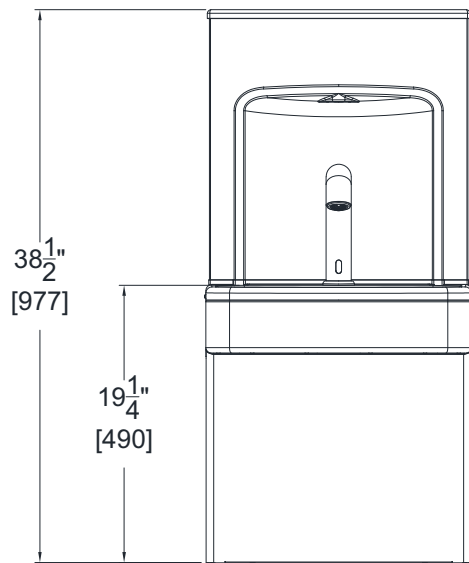
Member of  
**MORRIS GROUP**  
INTERNATIONAL

**Wash-N-Go!**<sup>™</sup>

**MODEL A171100W SERIES**  
BARRIER FREE, WALL MOUNTED  
HAND WASHING STATION



\* Valve specifications:  
Minimum/Maximum Pressure  
30 to 100 psi.



**GENERAL NOTES:**

1. ALL DIMENSIONS ARE IN INCHES [mm]
2. DIMENSIONS SHOWN ARE FOR RECOMMENDED ADULT HEIGHT. ADJUST VERTICAL DIMENSIONS AS NECESSARY TO COMPLY WITH FEDERAL, STATE & LOCAL CODES.
3. P-TRAP AND INLET STOP NOT PROVIDED.

Murdock Mfg.<sup>™</sup> warrants that its products are free from defects in material or workmanship under normal use and service for a period of one year from date of shipment. Murdock's liability under this warranty shall be discharged solely by replacement or repair of defective material, provided Murdock<sup>™</sup> is notified in writing within one year from date of shipment, F.O.B. Industry, California.

<b>SELECTION SUMMARY &amp; APPROVAL FOR MANUFACTURING</b>	Model Number & Options _____	Quantity _____	All dimensions are subject to manufactures tolerance of plus or minus 1/2" nominal and subject to change without notice. Murdock assumes no responsibility for use of void or superseded data. Dimensions may change with the addition of optional accessories. Murdock Mfg. <sup>™</sup> , Member of Morris Group International <sup>™</sup> . Please visit <a href="http://www.murdockmfg.com">www.murdockmfg.com</a> for most current specifications.
	Company _____		
	Contact _____	Title _____	
	Signature (Approval for Manufacturing) _____	Date _____	