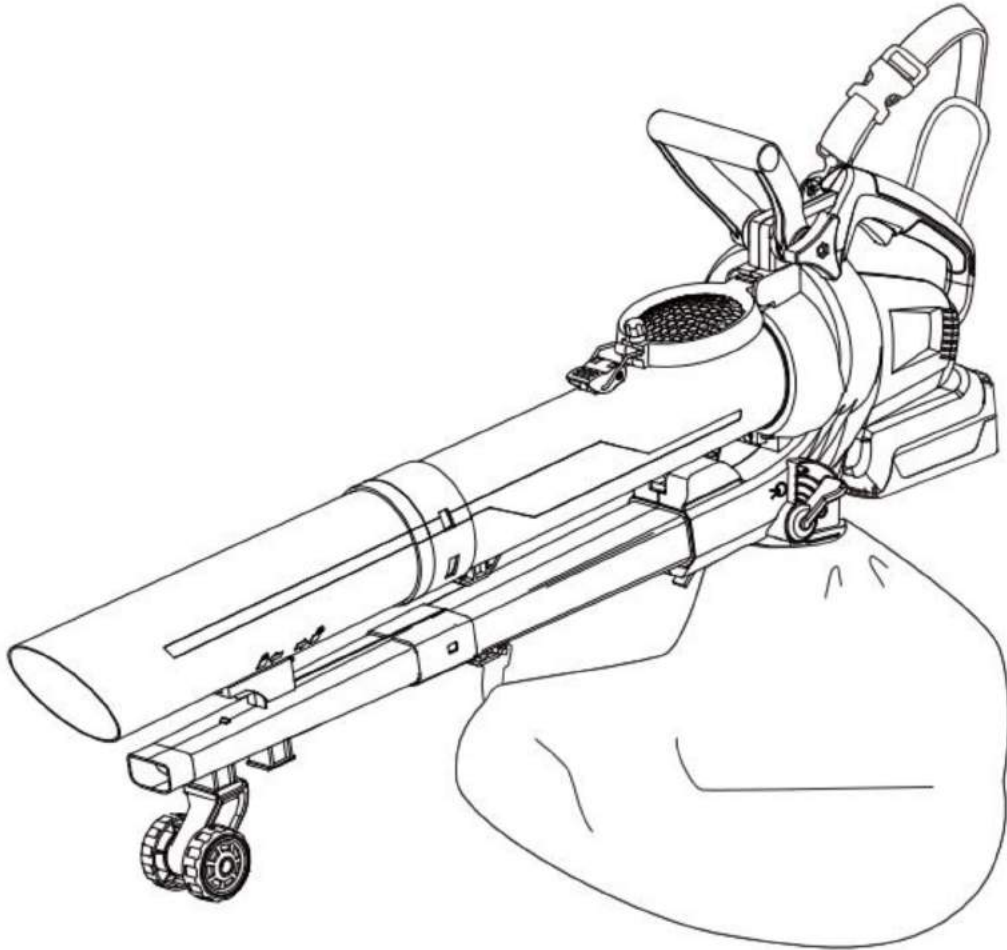




redback

40V Lithium Ion Cordless Vacuum



MODEL EV480D

Operation Manual



This safety alert symbol identifies important safety messages in this manual. Failure to follow this important safety information may result in serious injury or death.

Part # 875514



For Service or Questions

1-800-876-3009

www.redbacktools.com

email us at support@redbacktools.com

Table of Contents

Important Safety Information	
Intended Use	4
Personal Protective Equipment	4
General Safety	5
Safety Icons	6
Assembly	7-8
Overview of Components	9
Operation	10
Maintenance	11
Storage	12
Warranty & Specifications	13



WARNING

WARNING: Read and thoroughly understand all instructions and safety information before assembling or operating the blower. Failure to do so may cause serious injury or death. Do not allow anyone to operate this blower who has not read this manual. As with all power equipment, a blower can be dangerous if assembled or used improperly. Do not operate this blower if you have doubts or questions concerning safe operation.

Call our customer service department at **1-800-876-3009**, or visit **www.redbacktools.com** if you have any questions or concerns about the safe operation of this equipment.



DANGER

Intended Use

The blower has been designed to blow grass, leaves, dirt and other debris from walkways and other areas. Do not use the blower for any purpose other than for which it was designed. Any other use is unauthorized and may result in serious injury or death.

Personal Protective Equipment

When operating this blower it is essential that you wear safety gear including goggles or safety glasses, steel-toed shoes and tight fitting gloves (no loose cuffs or draw strings). Always wear ear plugs or sound deafening headphones to protect against hearing loss when operating this mower. Always wear sturdy footwear. Never wear sandals, sneakers or open shoes, and never operate the blower with bare feet. Do not wear loose clothing that might get caught in moving parts.



General Safety

Failure to follow warnings, cautions, assembly and operation instructions in the Operation Manual may result in serious injury or death.



DANGER

READ THE OPERATION MANUAL BEFORE OPERATION.

- **Do not** permit children to operate this equipment at any time.
- **Do not** permit others that have not read and understood the complete Operation Manual to operate this equipment.
- The blower can propel objects at high speeds. **Keep all people and pets a minimum of 10 feet away from the work area when operating the blower.** It is recommended to wear heavy long pants during operation.
- **Do not** operate the blower when under the influence of alcohol, drugs or medication.
- **Do not** allow a person who is tired or otherwise impaired or not completely alert to operate the blower.



DANGER

- Do not operate the blower in rain or other wet conditions. Protect the blower from rain.
- Always keep hands, feet, hair and loose clothing away from the blower.
- The battery should be removed before any repairs are attempted.

Battery tool use and care

- Recharge only with the charger specified by the manufacturer. A charger that is suitable for one type of battery pack may create a risk of fire when used with another battery pack.
- Use power tools only with specifically designated battery packs. Use of any other battery packs may create a risk of injury and fire.
- When battery pack is not in use, keep it away from other metal objects, like paper clips, coins, keys, nails, screws or other small metal objects, that can make a connection from one terminal to another. Shorting the battery terminals may cause burns or a fire.
- Under certain conditions, liquid may be ejected from the battery; avoid contact. If contact accidentally occurs, flush with water. If liquid contacts eyes, additionally seek medical help. Liquid ejected from the battery may cause irritation or burns.
- **DO NOT USE BATTERIES WITH DAMAGED CASES.** Dispose of batteries properly. Do not dispose of batteries in household waste.



Important Safety Information

Safety Icons

Safety icons are to remind you of important information while you are operating the unit.



Use caution when operating this power equipment



A blower can eject objects at high speeds. Use caution when operating around other people and pets.



Use caution when handling: dangerous pinch points!



Use caution around rotating parts!
Do not touch the fan when operating.



Read and understand the Operation Manual before operating the blower.



A blower can eject objects at high speeds. Use caution when operating near walls, fences and other obstacles.



Wear goggles or other eye protection. The blower can propel objects and dust.



Avoid operating in the rain, protect the battery and blower from wet conditions.

Safety Decals

Safety decals on the blower are to remind you of important information while you are operating the unit. Make sure all decals are attached and in readable condition. Replace missing or defaced decals. Contact RedbackTools at 1-800-876-3009 for replacement decals.



Installing Blower Nozzle Pipe

Slide larger of the two square blower nozzles into the blower housing until the notches click into place.

Slide the narrower of the two square blower nozzles onto the end of the larger one until it too clicks into place

Click wheel assembly into place on the front block. Furthest from the blower motor housing.

Installing and Removing the Vacuum Pipe

Tools are not required to install the vacuum pipe.

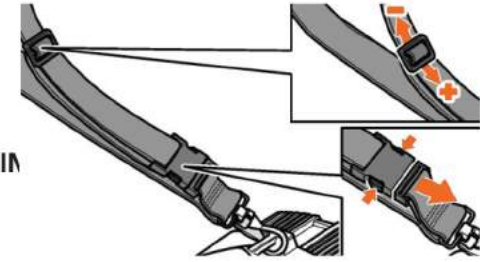
Attach the round pipe into the connecting piece and secure by turning it in clockwise direction. For storage the pipe can be removed.

Inserting/Replacing the Battery

Charge the battery as described in the charger operation manual. Press the charged battery into the power tool until it clicks into place

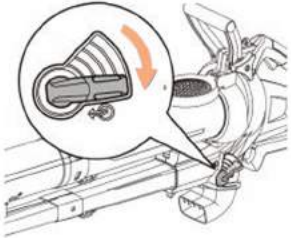
To remove the battery, press the release button ① and pull out the battery ②.

Figure 3



Assembling and Adjusting the Shoulder Belt

Open retaining hook and hook onto the fastening eye on the housing. Depress tabs on either side of the retaining clasp to adjust the shoulder belt to your height then slide the retaining clasp up or down and release the tabs.



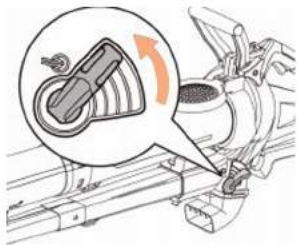
Operating the Leaf Blower

After inserting the battery into the back of the blower housing, flip the lever located to the side of the square blower pipe (under the top handle) down until it is parallel with the blower pipe.



Secure the leaf blower in place by properly utilizing both handles and fitting the shoulder strap in a comfortable position.

Point the air nozzle the direction you want to blow the leaves and pull the trigger to begin.



Operating the Vacuum

Flip the lever located to the side of the square blower pipe (under the top handle) up/forward until it comes to a stop

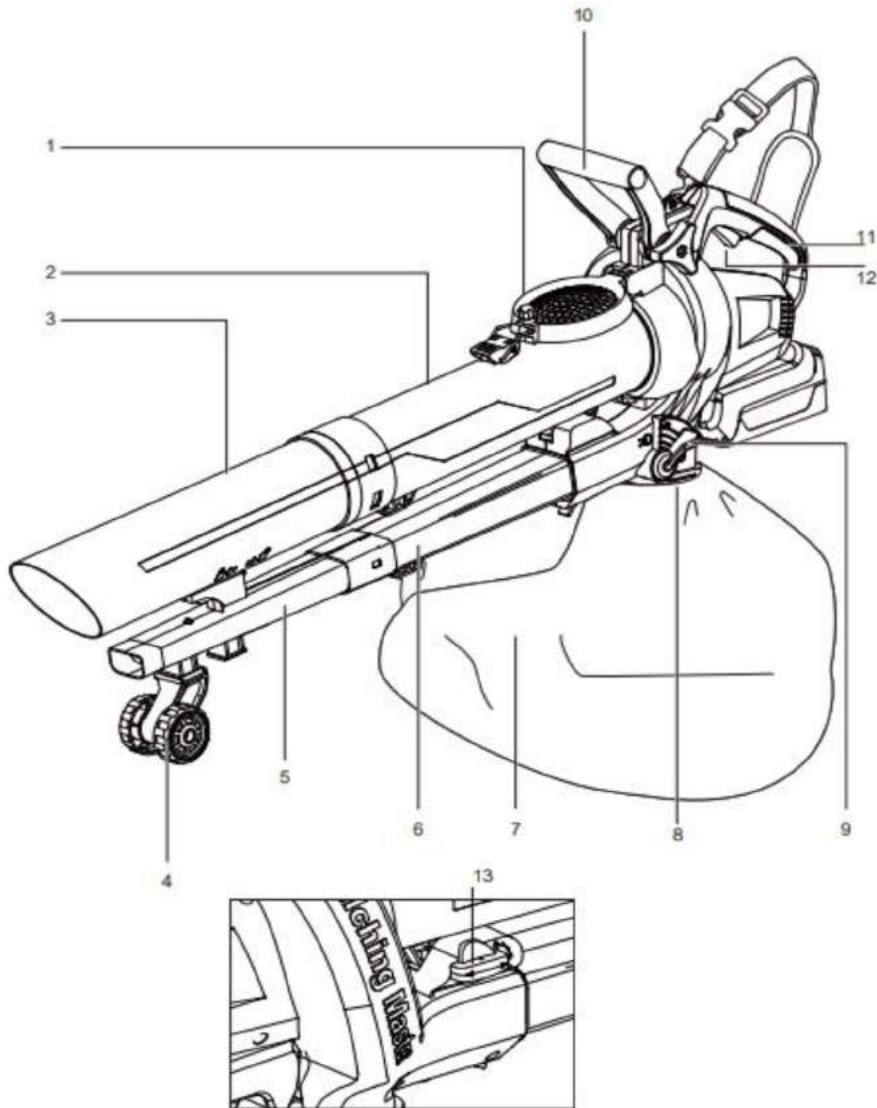
Point the air nozzle in the direction you want to blow the leaves and pull the trigger to begin.



CAUTION

**Protect the battery contacts when the battery is not being used.
Metal objects may short-circuit the contacts and pose
both an explosion and fire hazard!**

Overview of Components



- | | |
|--------------------------|--------------------------------|
| 1. Air Filter | 8. Vacuum/Collection Discharge |
| 2. Vacuum Pipe | 9. Vacuum/Blower Switch |
| 3. Vacuum Tube | 10. Top Grip Handle |
| 4. Wheels | 11. Rear Handle |
| 5. Blow Tube | 12. On/Off Trigger |
| 6. Blow Pipe | 13. Bayonet Catch/Release |
| 7. Vacuum/Collection Bag | |

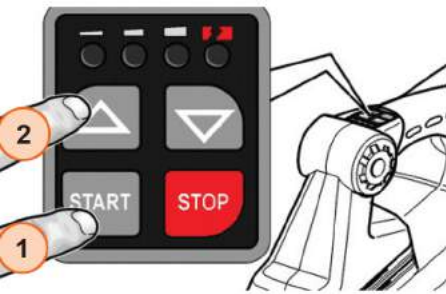


Figure 4

Powering the Blower

To switch the blower on, press the START button (see Figure 4). The blower will start at the minimum air speed. To increase the air speed, press the increase speed button repeatedly until the desired power level is reached (see Figure 5). There are 4 air speed levels: minimum speed, middle speed, high speed and maximum speed/Turbo. The speed setting is displayed on the LED indicator.

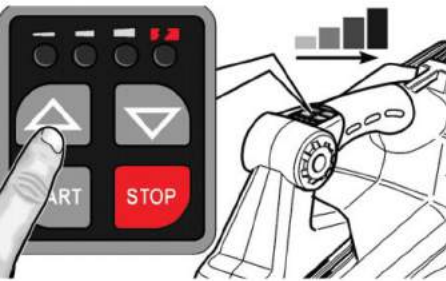


Figure 5

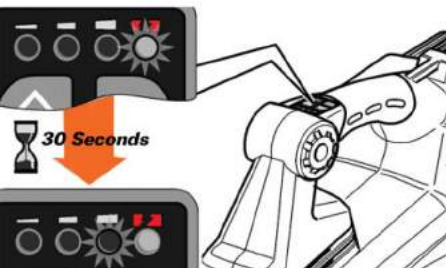


Figure 6

Note: When operating at maximum speed the Turbo red LED light is activated. The blower unit automatically switches to one step down after 30 seconds to save battery capacity (see Figure 6).

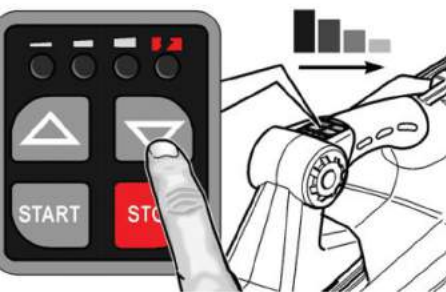


Figure 7

To reduce the speed, press the decrease speed button repeatedly until the desired air speed is reached (see Figure 7). The speed setting is displayed on the status LED.

To stop the blower, press the stop button.





CAUTION

**Before performing any maintenance on the blower,
remove the battery.**

Cleaning the Blower

Remove the battery. Do not use water or liquid detergents. Whenever possible, always clean the unit directly after using with a hand brush.

Keep the ventilation slots clean and dust-free.

Repairs

Check the unit for damage. Repairs may be carried out by an authorized customer service center only.



CAUTION

**Do not use batteries with damaged casing.
Do not attempt to open batteries.
Do not dispose of in fire, water or household waste.**

Storage

Remove the battery from the blower before storing. Store the blower in a dry, dust-free and frost-free place ideally in a temperature range of 50° - 77°F (10-25 °C).

Store the battery and the unit separately.

The blower pipe can be removed for storage.

Charge the battery before storing the unit in winter.

Keep the unit, in particular its plastic components, away from brake fluids, petrol, petroleum products, penetrating oil, etc. They contain chemical substances which may damage, attack or destroy the plastic components of the unit.

Remove the battery from the blower when not in use.



Disposal Information

Recycle raw materials instead of disposing as waste.

Battery, accessories and packaging should be recycled in an environmentally friendly manner. Plastic parts are identified for recycling according to material type.



CAUTION

Do not use batteries with damaged casing.

Do not attempt to open batteries.

Do not dispose of in fire, water or household waste.



Warranty & Specifications

IMPORTANT NOTICE

We, the manufacturer, reserve the right to change the product and/or specifications in this manual without notification. The manual is for information usage only and the pictures and drawings depicted herein are for reference only.

Warranty Repair and Service

Do not return this product to the store for warranty issues or repair. Call our customer service department at **1-800-876-3009** or email us at **support@redbacktools.com**. You can extend your warranty by registering your product at **www.redbacktools.com**.

Record the information below for future reference.

Model No. _____

Serial No. _____

Date of Purchase _____

Place of Purchase _____

SKU/Part No.	EA480D
Battery Type	Lithium-Ion
Description	40V Lithium Ion Vacuum
Rated Voltage	40 Volts DC
Air Volume	346cfm
Air Speed	102.5mph
Mutching Ratio	30:1
Sound Power Level	110 db
Shipping Weight	8.8lbs (Without battery)
Warranty	1-Year Limited Warranty



For Service or Questions

1-800-876-3009

www.redbacktools.com

email us at support@redbacktools.com