



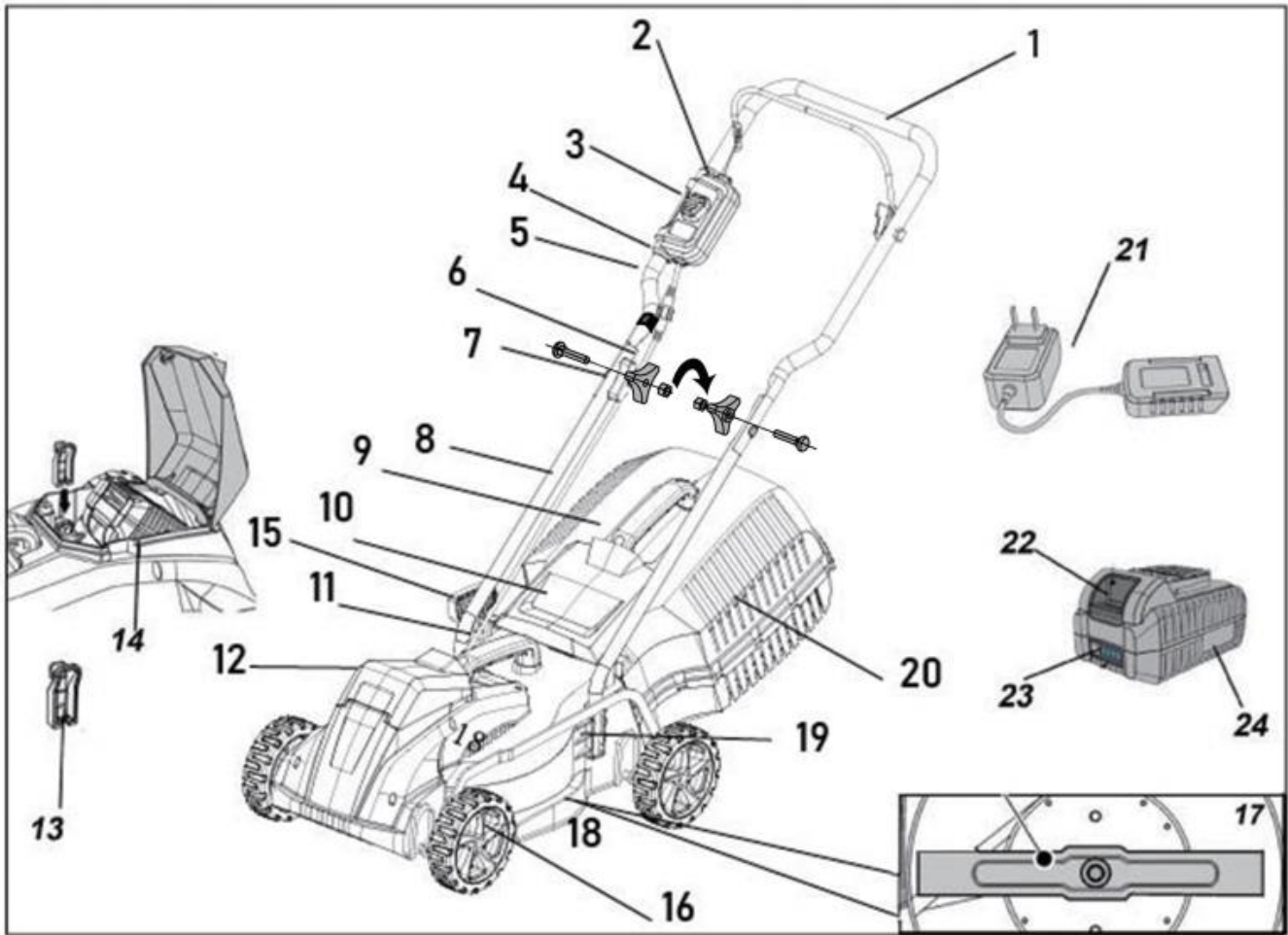
---

**40V LITHIUM-ION CORDLESS LAWN MOWER**

Model: EB132CP



**Parts List**



- |                           |                                   |
|---------------------------|-----------------------------------|
| 1. Handlebar              | 13. Safety Key                    |
| 2. Switch                 | 14. Battery slot                  |
| 3. Switch interlock       | 15. High adjust lever             |
| 4. Switch conjunction box | 16. Wheel                         |
| 5. Upper handle           | 17. Blade                         |
| 6. Cable                  | 18. Deck                          |
| 7. Handlebar knob         | 19. Lower handle mount            |
| 8. Lower handle           | 20. Grass catcher                 |
| 9. Grass catcher handle   | 21. Charger (EBC05)               |
| 10. Rear flap             | 22. Battery release button        |
| 11. Handle                | 23. LED state of charge indicator |
| 12. Battery Cover         | 24. Battery (EB20)                |