



SERVICE PARTS LIST

BULLETIN NO.
54-06-2240

SPECIFY CATALOG NO. AND SERIAL NO. WHEN ORDERING PARTS				REVISED BULLETIN	DATE
M18™ RADIUS™ COMPACT SITE LIGHT W/ FLOOD MODE					Dec. 2017
CATALOG NO.	2144-20	STARTING SERIAL NO.	J65A	WIRING INSTRUCTION	

EXAMPLE:

00	0
----	---

 Component Parts (Small #)
 Are Included When Ordering
 The Assembly (Large #).

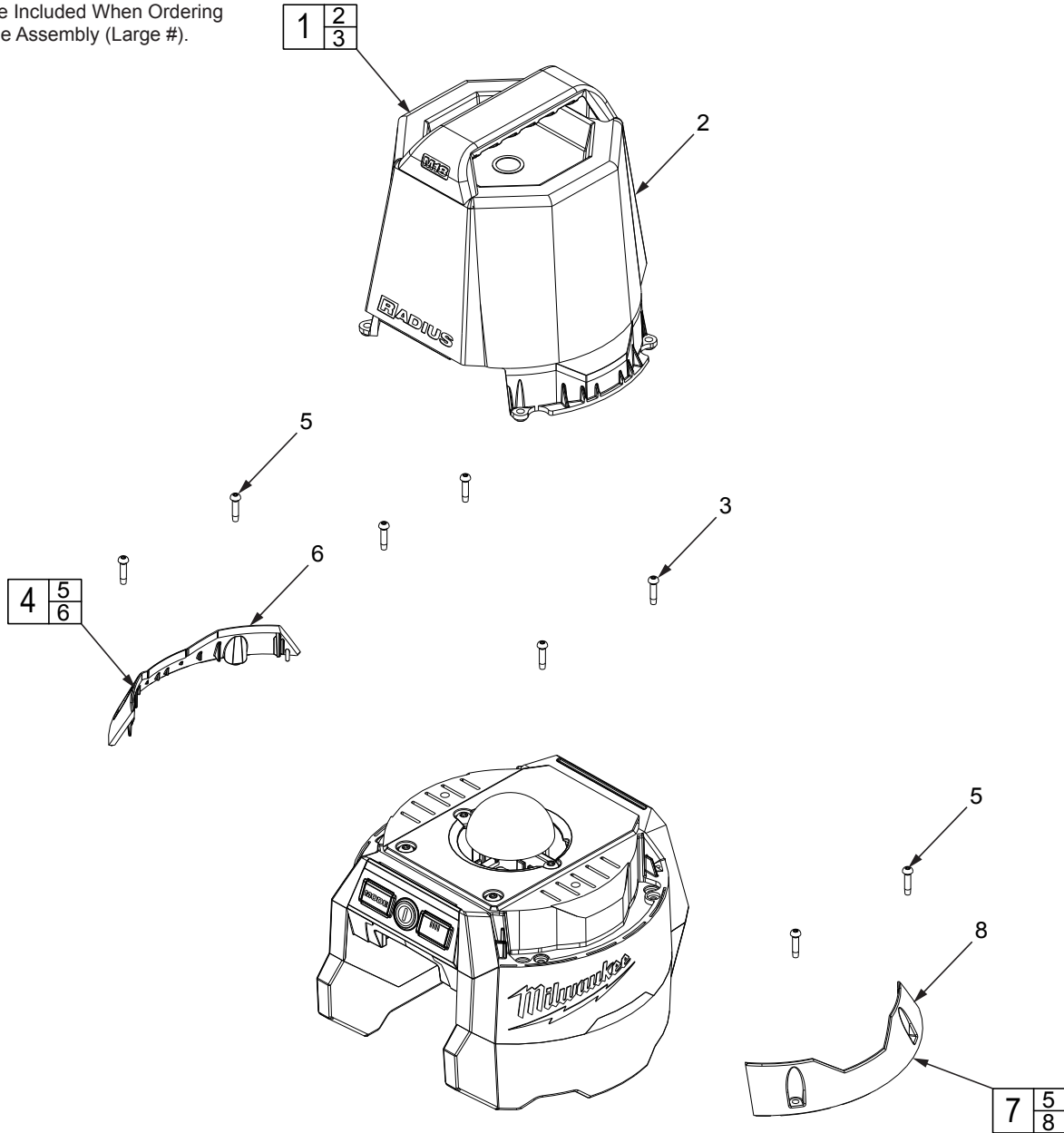


FIG.	PART NO.	DESCRIPTION OF PART	NO. REQ.	FIG.	NOTES
1	44-06-0001	Main Lens & Handle Assembly	(1)	9, 10	A clean, dry surface is essential for proper performance for any adhesive system. The area intended for application of any adhesive label or nameplate must be prepared by cleaning with isopropyl alcohol. The solvent is to be applied with a clean, lint free applicator and the surface allowed to dry before applying the label or nameplate.
2	-----	Main Lens & Handle	(1)		
3	-----	M4 x 18 PH T20 Torx Screw	(4)		
4	14-38-0002	Right Lens Cover Kit	(1)		
5	-----	M3.5 x 1.27 PH T10 Torx Screw	(4)		
6	-----	Right Lens Cover	(1)		
7	14-38-0001	Left Lens Cover Kit	(1)		
8	-----	Left Lens Cover	(1)		
9	12-20-2140	Service Nameplate (Not Shown)	(1)		
10	10-20-1066	Warning Label (Not Shown)	(1)		