

Features:

- Engineered from modern materials to keep distilled water pure. Celcon control valve is chemically inert to most common laboratory chemicals (not hydrochloric or sulphuric acids)
- Operates up to 414 kPa (60 psi) line pressure
- Flexible diaphragm seat is moulded to the stem for positive action, seal and long life. Valve diaphragm and entire waterway is inert Tygon material with a Celcon union inlet connection, preventing contact of water with metal components. 1/2" M.I.P. size
- Double action spring loaded handle provides self-closing and full lock-open flow operation
- All goosenecks are heavy-duty 3/8" I.P.S. brass pipe, with inert lining Tygon tubing. Standard goosenecks have 152 mm (6") diameter bend.
- Smooth, glossy chrome plated finish, allows for ease of cleaning
- Forged brass turret with vandal resistant locking pins to prevent damage to mounting surface (can be removed in field if not required)
- Raised lockwasher to provide positive gripping during installation

W6635

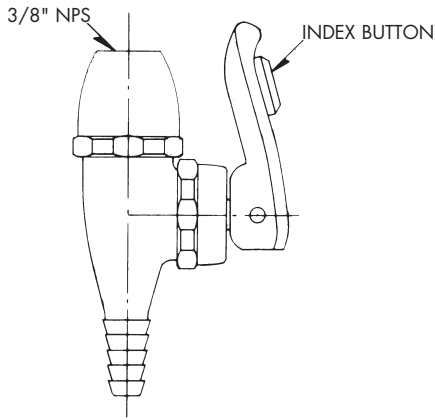
Deckmount pure water faucet complete with W6629 Celcon valve with 6 serration hose end, Tygon tubing, rigid gooseneck, Celcon 1/2" NPT union tail inlet, 1/2" NPS shank, locknut, lockwasher, vandal resistant locking pins

W6629

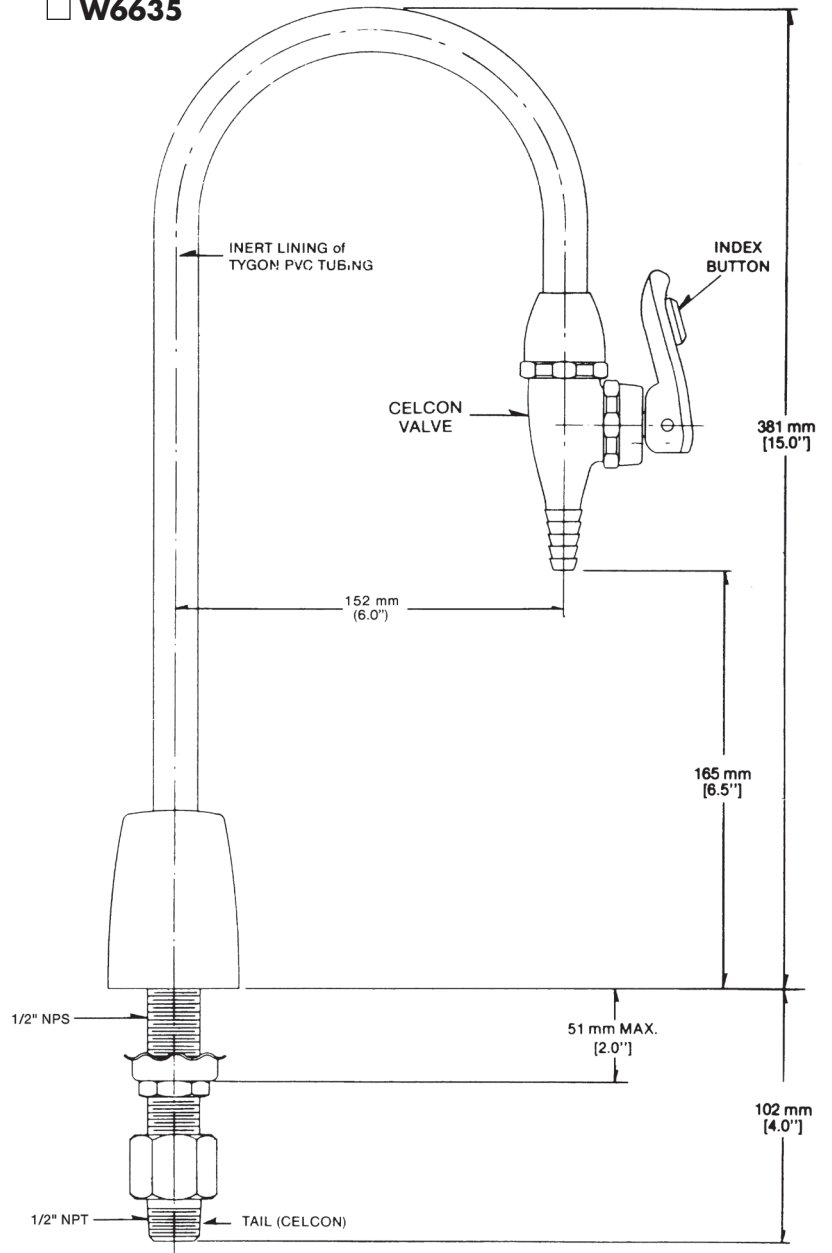
All internal Celcon valve with double action spring loaded handle, complete with 3/8" NPT inlet and 6 serration built-in nozzle



□ **W6629**
Celcon Valve for Distilled Water Faucet



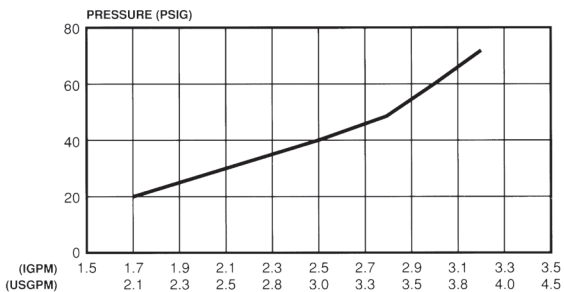
□ **W6635**



□ **068128A**
Repair Kit for valve above

W6635 PURE WATER VALVE

FLOW RATE



Note: Measurements may vary ± 6mm (0.25")