



## Distilled Water Faucets

Celcon Valve for Distilled Water Faucet

**Model No: W6629DW**

### **COMPLIES WITH:**

- (Contact Delta Representative for State and/or Local Approvals)

### **SPECIFICATION:**

- All internal Celcon valve with double action spring loaded handle, complete with 3/8" NPT inlet and 6 serration built-in nozzle
- Engineered from modern materials to keep distilled water pure. Celcon control valve is chemically inert to most common laboratory chemicals (not hydrochloric or sulphuric acids)
- Double action spring loaded handle provides self-closing and full lock-open flow operation
- Products not intended for potable water.
- Chrome Finish
- Indexed For: DW - Distilled Water(White)

### **OPERATION:**

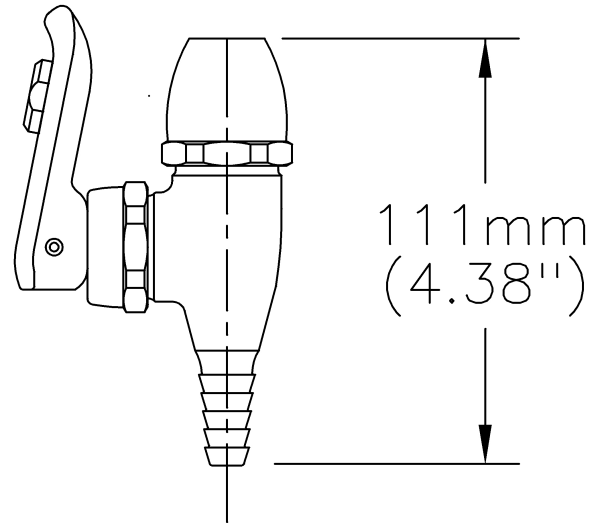
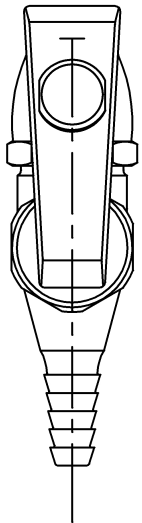
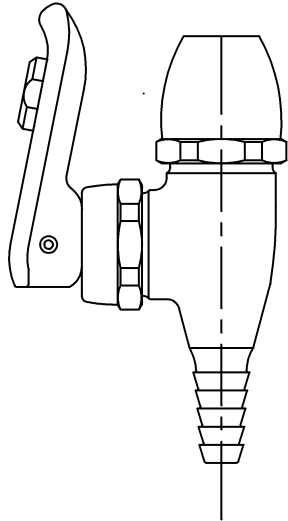
- Products not intended for potable water

***(Dimensional drawing on following page)***

Delta reserves the right (1) to make changes to specifications and materials, and (2) to change or discontinue models, both without notice or obligation. Dimensions are for reference. Measurement may vary plus or minus 6mm(0.25"). Mounting locations are suggested only. Check with local codes for requirements in your area. This spec was produced April 15, 2021.

Delta Faucet Company - 55 East 111th St. - Indianapolis, Indiana, USA 46280 - (317) 848-1812  
Delta Faucet Canada - 395 Matheson Blvd E - Mississauga, Ontario, Canada L4Z 2H2 - (905) 712-3030

Model No: W6629DW



Delta reserves the right (1) to make changes to specifications and materials, and (2) to change or discontinue models, both without notice or obligation. Dimensions are for reference. Measurement may vary plus or minus 6mm(0.25"). Mounting locations are suggested only. Check with local codes for requirements in your area. This spec was produced April 15, 2021.

Delta Faucet Company - 55 East 111th St. - Indianapolis, Indiana, USA 46280 - (317) 848-1812  
Delta Faucet Canada - 395 Matheson Blvd E - Mississauga, Ontario, Canada L4Z 2H2 - (905) 712-3030