

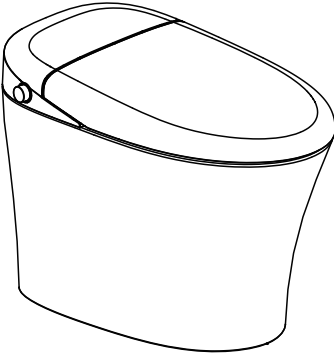


Aquatina III Installation Manual

# INSTALLATION PREPARATION

Before installation begins, please confirm that you have the materials indicated below:

## Included



Main Unit



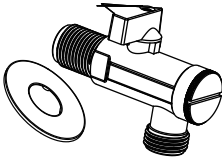
Sealing Flange



Remote Control Components



Installation Manual



Angle Valve

## Recommended Tools



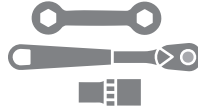
Pencil



Masking or  
painters tape



Tape measure  
or ruler



7/16" ratchet box  
wrench or deep socket  
ratchet wrench

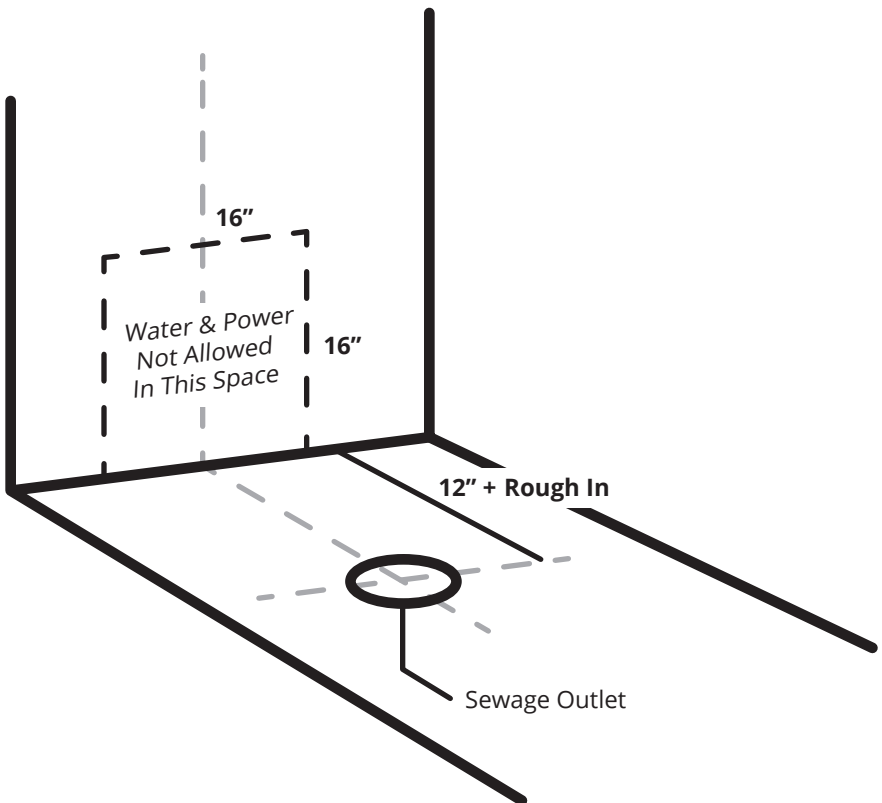


Carpenter's  
square or other  
straight edge

## Precautions Before Installation

Please give enough allowance for the installation. Ensure that there is room enough for the opening and closing of the bathroom door. Please see diagram below for product placement measurements.

Please confirm the location of the sewage outlet and the wax ring as indicated below before installation.



## Installation Requirements

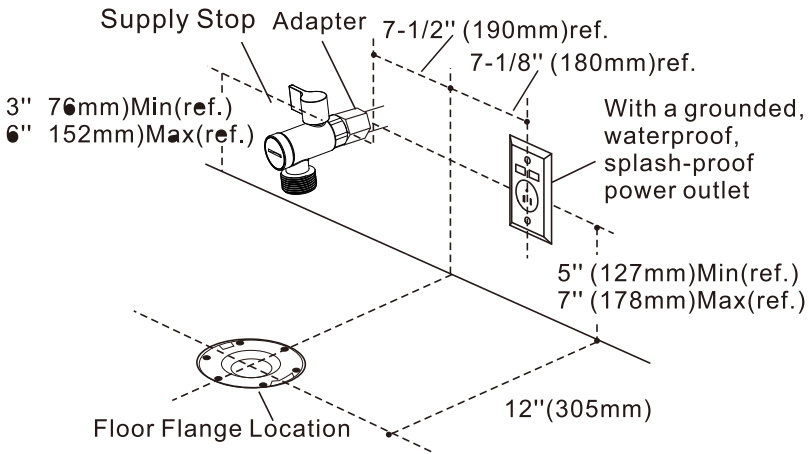
Minimum static water pressure: 20 psi

Maximum static water pressure: 80psi

Minimum water flow: 1 Gallon every 10 seconds

115 V power GFCI receptacle within 4'

## Recommended Water & Power Placement



## #1 INSTALLING THE WATER VALVE

Option #1: Copper Stubbed Out of Wall (easiest method)

1. Shut off water to the house.
2. Remove existing stop valve from the copper
3. Replace with included valve. Use adapter if necessary.

Option #2: Using pex water line (new construction, remodels, and plumber installation. Not recommended without a professional)

1. Turn water off to the house.
2. Remove current toilet water supply valve.
3. Adapt plumbing to 1/2" pex to 7/8" female swivel closet adapter (not included) (part .108392 at [www.plumbersstock.com](http://www.plumbersstock.com) or source locally).

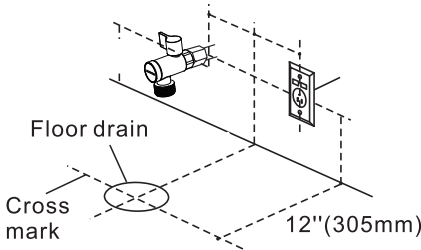
4. Crimp pex swivel female adapter onto pex.
5. Attach valve to adapter.

Option #3: Use existing valve and supply lines (This method will reduce the water pressure/volume to the toilet and is not recommended unless one of the first two options cannot be achieved.)

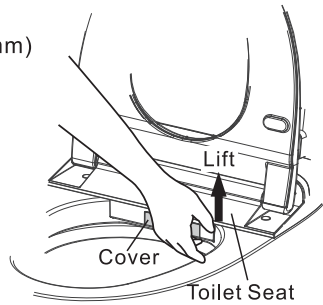
1. Turn the water off at the toilet valve
2. Attach your current supply tube to included valve.

## #2 TOILET INSTALLATION

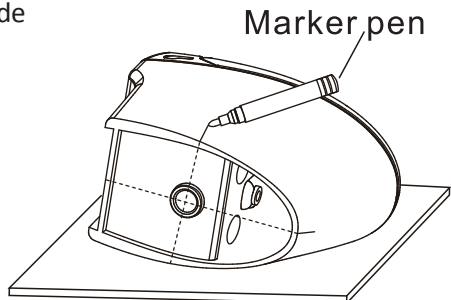
1. Make a cross mark on the floor drain (see below).



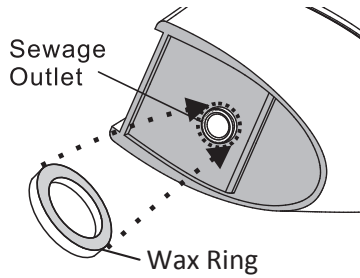
2. Lift the toilet seat-lid assembly from the toilet. Lift from the interior back right.



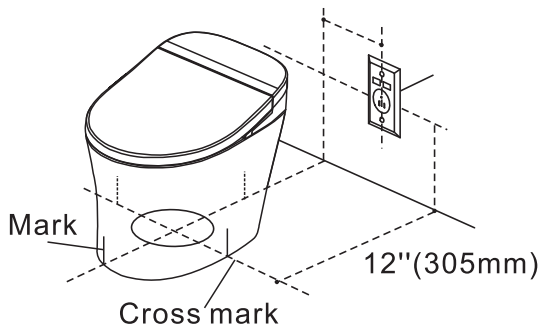
3. Gently flip the toilet on its side, placing it on the pre-prepared foam board.
4. Make two marks on the side and front of the toilet perpendicular to the sewage outlet.



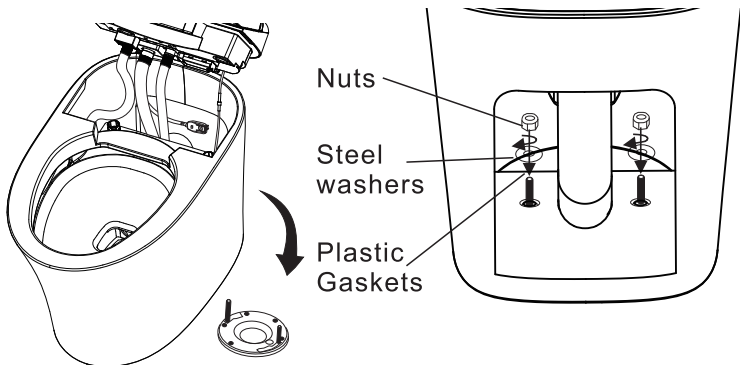
5. Install the wax ring under the toilet.



6. Using two people, lift the toilet and align the marks on the toilet bowl with the cross marks on the ground. Also confirm the holes in the bottom of the bowl align with the closet bolts.

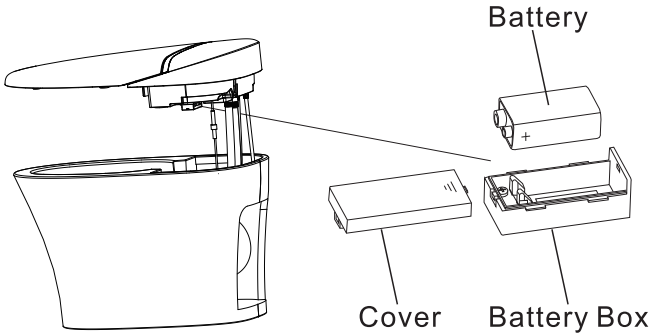


7. Place the washers over the closet bolts.
8. Use a wrench to lock nuts to the closet bolts.
- Warning! DO NOT OVER TIGHTEN! Over tightening may crack the porcelain base.

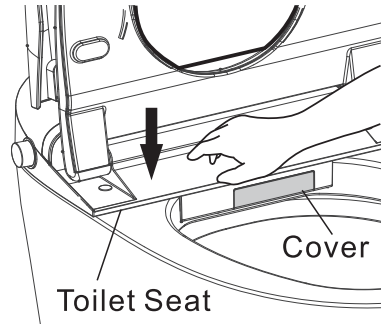


## #3 INSTALLING THE BATTERY

1. Carefully remove the cover of the battery case.
2. Install the battery and slide the cover back on the battery box.

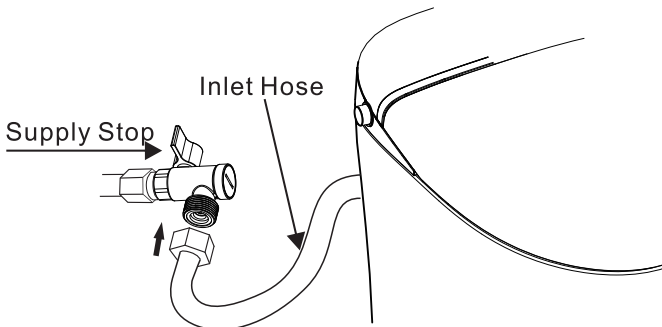


3. Reinstall the toilet seat-lid assembly to complete the toilet installation.



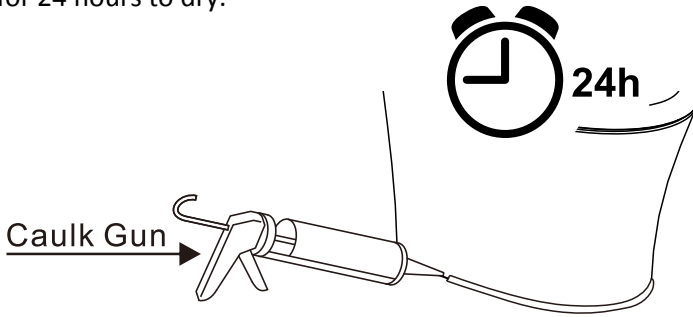
## #4 CONNECT BRAIDED HOSE

1. Connect the braided hose to the angle valve installed on step 1.
2. After tightening by hand, turn the nut  $\frac{1}{4}$  turn with a wrench.
3. Open the supply stop and check for leaks.



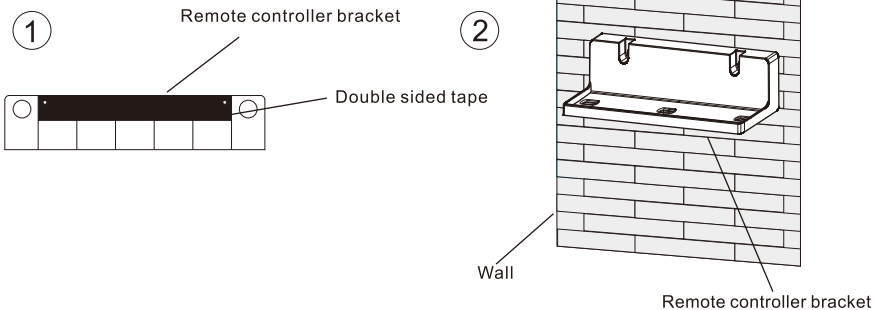
## Caulk Application

Caulk the bottom edge of the toilet with a mildew-resistant caulk designed for indoor bathroom applications. This will help to keep the bowl in place and give the closet bolts added security and strength. Wait for 24 hours to dry.



## Remote Installation

1. Clean and dry the area where you will place the holder.
2. Peel the double sided adhesive at the back of the bracket and stick it to the selected dry tile or glass strongly and evenly.
3. Wait 15 minutes.
4. Open the back cover of the remote and insert batteries.
5. Place the remote on the remote bracket.



[support@troneplumbing.com](mailto:support@troneplumbing.com)

[www.troneplumbing.com](http://www.troneplumbing.com)