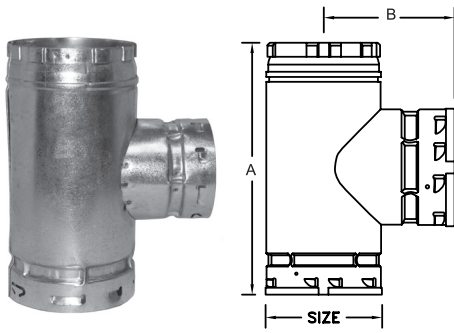


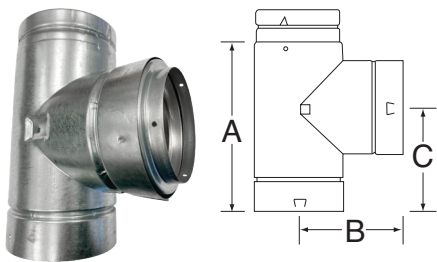
Large Diameter Standard Tee



- Used to transition system from horizontal to vertical orientation.
- Provides easy access for inspection and maintenance.
- Tee Cap sold separately.

SIZE	ORDER #	STOCK #	A	B
10"	10BVT	810018229	16"	8 1/16"
12"	12BVT	810018250	17 5/8"	9 3/4"
14"	14BVT	810018270	24"	11 3/4"
16"	16BVT	810018288	26"	13"
18"	18BVT	810018305	28 1/2"	14 1/4"
20"	20BVT	810018323	30"	15 1/2"
22"	22BVT	810018341	33"	16 3/4"
24"	24BVT	810018358	36"	18"
26"	26BVT	810018374	38"	19"
28"	28BVT	810018389	40"	20"
30"	30BVT	810018403	42"	21"

Reducing Tee



- Used to transition system from horizontal to vertical orientation.
- Allows small diameter pipe to be connected to the branch or body of the tee.
- Allows connections from 2 or more appliances into the common vent.

NOTE: Low Profile Double Wall Inserter included.

SIZE	ORDER #	STOCK #	A	B	C
4" to 3"	4BVTR3	810017849	8 1/2"	4 3/4"	5"
5" to 3"	5BVTR3	810017938	9 1/2"	5 1/4"	5 1/2"
5" to 4"	5BVTR4	810017937	9 1/2"	5 1/4"	5 1/2"
6" to 3"	6BVTR3	810018025	10 1/2"	5 3/4"	6"
6" to 4"	6BVTR4	810018024	10 1/2"	5 3/4"	6"
6" to 5"	6BVTR5	810018023	10 1/2"	5 3/4"	6"
7" to 4"	7BVTR4	810018151	11 1/2"	6 1/4"	6 1/2"
7" to 5"	7BVTR5	810018150	11 1/2"	6 1/4"	6 1/2"
7" to 6"	7BVTR6	810018149	11 1/2"	6 1/4"	6 1/2"
8" to 4"	8BVTR4	810018218	12 1/2"	6 3/4"	7"
8" to 5"	8BVTR5	810018217	12 1/2"	6 3/4"	7"
8" to 6"	8BVTR6	810018216	12 1/2"	6 3/4"	7"