



PARTS MANUAL

Outdoor Unit

MODELS:

3VIR09HP115V1AO
3VIR12HP115V1AO
3VIR09HP230V1AO
3VIR12HP230V1AO
3VIR18HP230V1AO
3VIR24HP230V1AO

Indoor Unit

MODELS:

3VIR09HP115V1AH
3VIR12HP115V1AH
3VIR09HP230V1AH
3VIR12HP230V1AH
3VIR18HP230V1AH
3VIR24HP230V1AH

Thank you for choosing our product.
Please read this Parts Manual carefully before operation and
retain it for future reference.

If you lose this Manual, please contact your local distributor or
visit www.greecomcomfort.com/resources now to download and
file the electronic version.

Parts Manual



Table of Contents

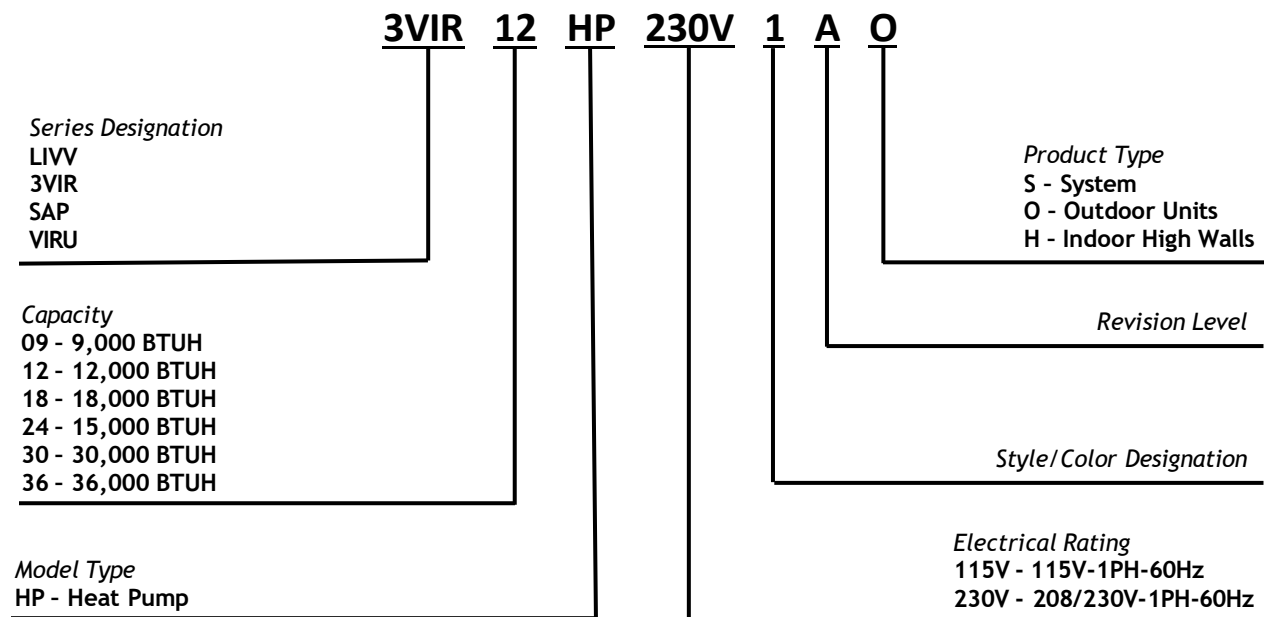
Nomenclature	4
3VIR09HP115V1AH EV	5
3VIR09HP115V1AH Parts Lists	6
3VIR09HP115V1AO EV	7
3VIR09HP115V1AO Parts List	8
3VIR12HP115V1AH EV	9
3VIR12HP115V1AH Parts Lists	10
3VIR12HP115V1AO EV	11
3VIR12HP115V1AO Parts List	12
3VIR09HP230V1AH EV	13
3VIR09HP230V1AH Parts Lists	14
3VIR09HP230V1AO EV	15
3VIR09HP230V1AO Parts List	16
3VIR12HP230V1AH EV	17
3VIR12HP230V1AH Parts Lists	18
3VIR12HP230V1AO EV	19
3VIR12HP230V1AO Parts List	20
3VIR18HP230V1AH EV	21
3VIR18HP230V1AH Parts Lists	22
3VIR18HP230V1AO EV	23
3VIR18HP230V1AO Parts List	24
3VIR24HP230V1AH EV	25
3VIR24HP230V1AH Parts Lists	26

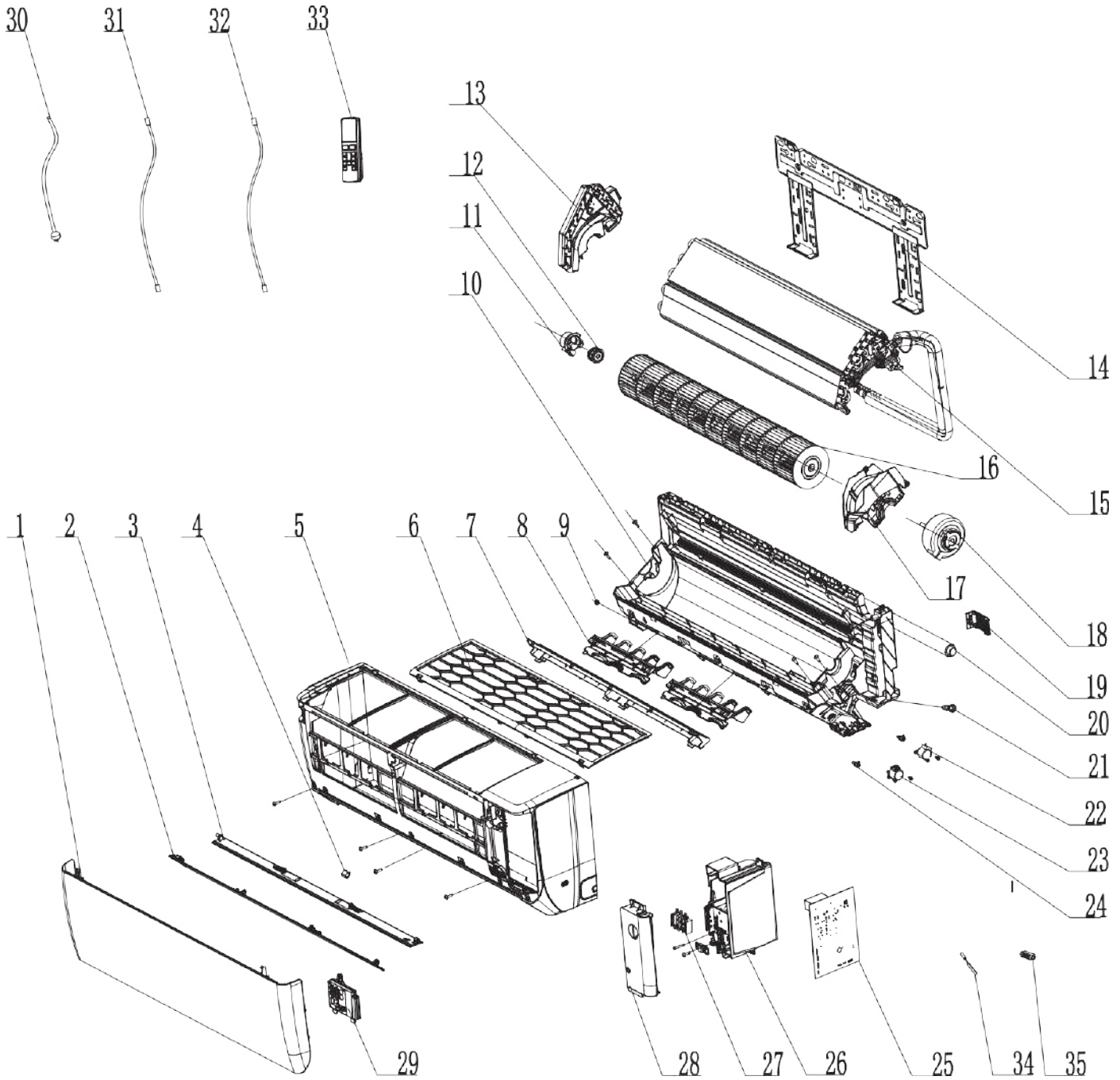
3VIR24HP230V1AO EV	27
3VIR24HP230V1AO Parts List	28

Nomenclature



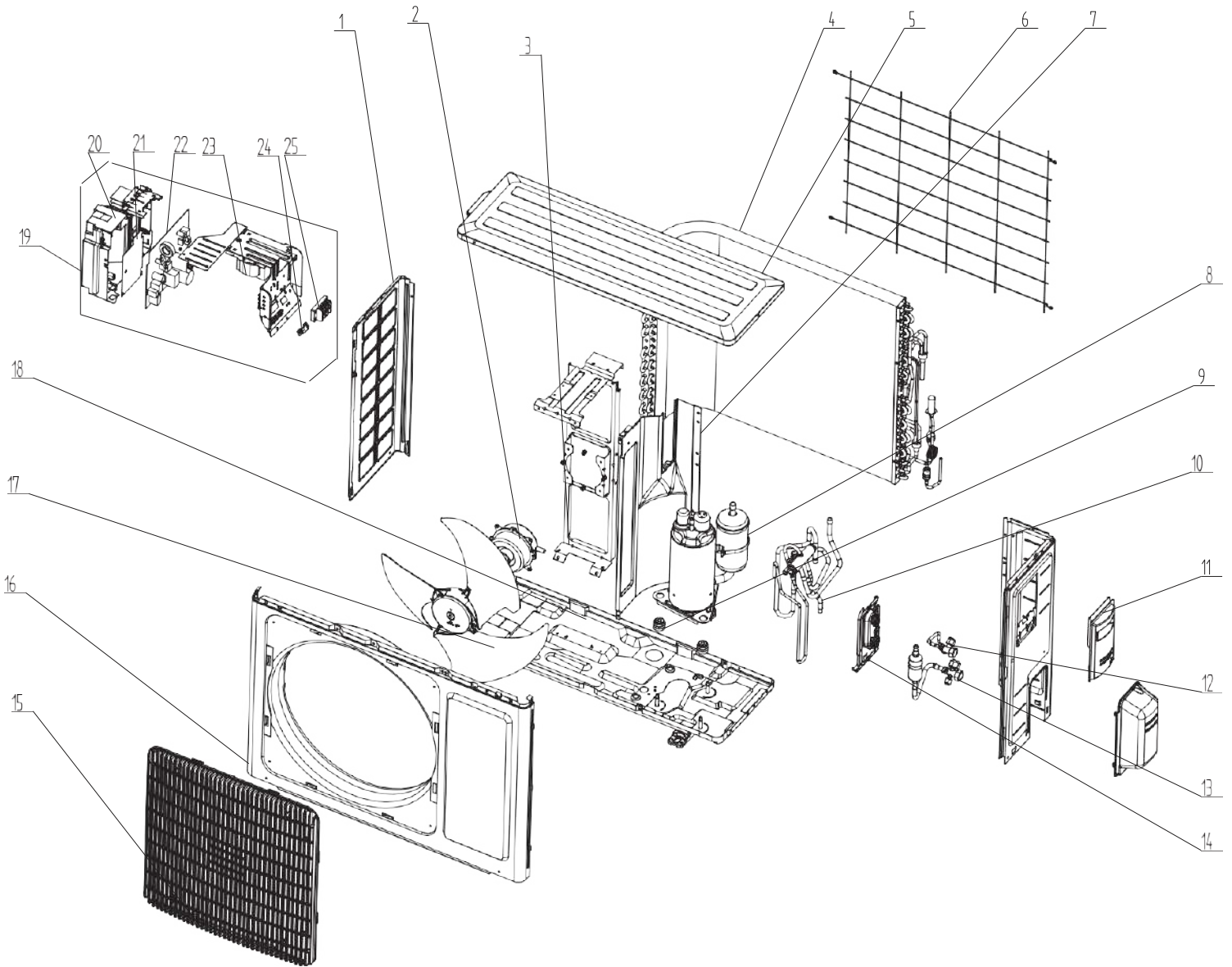
EXAMPLE: 3VIR12HP230V1A0





No.	Part Description	Qty.	Part No.
10	Rear Case Assy	1	00000106014301
NS	Rear Case	1	20000106003803
NS	Foam (Water Tray)	1	120000060114
23	Left/ Right Stepping Motor	1	1521210710
NS	Stepping Motor	1	1521200607
24	Crank	2	200023060004
17	Motor Press Plate	1	20002006000201
9	Left Axile Bush	2	10512037
NS	Drainage Hose	1	05230014
7	Helicoid Tongue	1	200006060012
NS	Air Louver(right)	1	200007060065
8	Air Louver (left)	1	200007060064
NS	Air Louver (Auto)	1	200007060066
22	Left/ Right Stepping Motor	1	1521210704
NS	Swing Lever	1	200035060028
NS	Rear Grille Sub-Assy	2	209016000003
NS	Rear Grille	1	016001060083
NS	Cable Cross Plate 1	1	02122023P
NS	Cable Cross Plate 2	1	02122023
9	Axile Bush Sub-Assy	1	10542047
NS	O-Gasket sub of Bearing	1	76512051
11	Ring of Bearing	1	26152022
16	Cross Flow Fan	1	103001060004
18	Fan Motor	1	15012511
15	Evaporator Assy	1	011001060430
NS	Temp Sensor Sleeving	1	05212423
NS	Evaporator Putty	0	76012401
NS	Temp Sensor Support	1	42020063
13	Evaporator Support	1	200025060004
26	Electric Box Assy	1	100002070753
NS	Electric Box	1	200013060065
25	Main Board	1	300002061793
35	Jumper	1	4202021906
NS	Supporter	1	200114060045
29	Display Board	1	300001060739
NS	Detecting Plate	1	300018060403
NS	Button Membrane	1	600006060153
NS	Display Panel Membrane	1	600006060154

No.	Parts description	Qty.	Part No.
27	Terminal Board	1	422000000022
34	Temperature Sensor	1	3900031302
NS	Front Case Assy	1	209007060044
5	Front Case	1	200002060041
6	Filter Sub-Assy	1	111001060145
4	Screw Cover	1	200005060003
2	Guide Louver (upper)	1	200004060088
NS	Plug Pin	4	200033060002
3	Guide Louver (lower)	1	200004060087
NS	Front Panel Assy	1	000003060365
1	Front Panel	1	200003060158T
28	Electric Box Cover	1	200082060053
19	Connecting pipe clamp	1	200017000001
14	Wall Mounting Frame	1	01252484
33	Remote Controller	1	305001060106
NS	Rear Case	1	200001060081
NS	Front case (2 Color)	1	2220015003S01
21	Rubber Plug (Water Tray)	1	76712012





3VIR09HP115V1AO



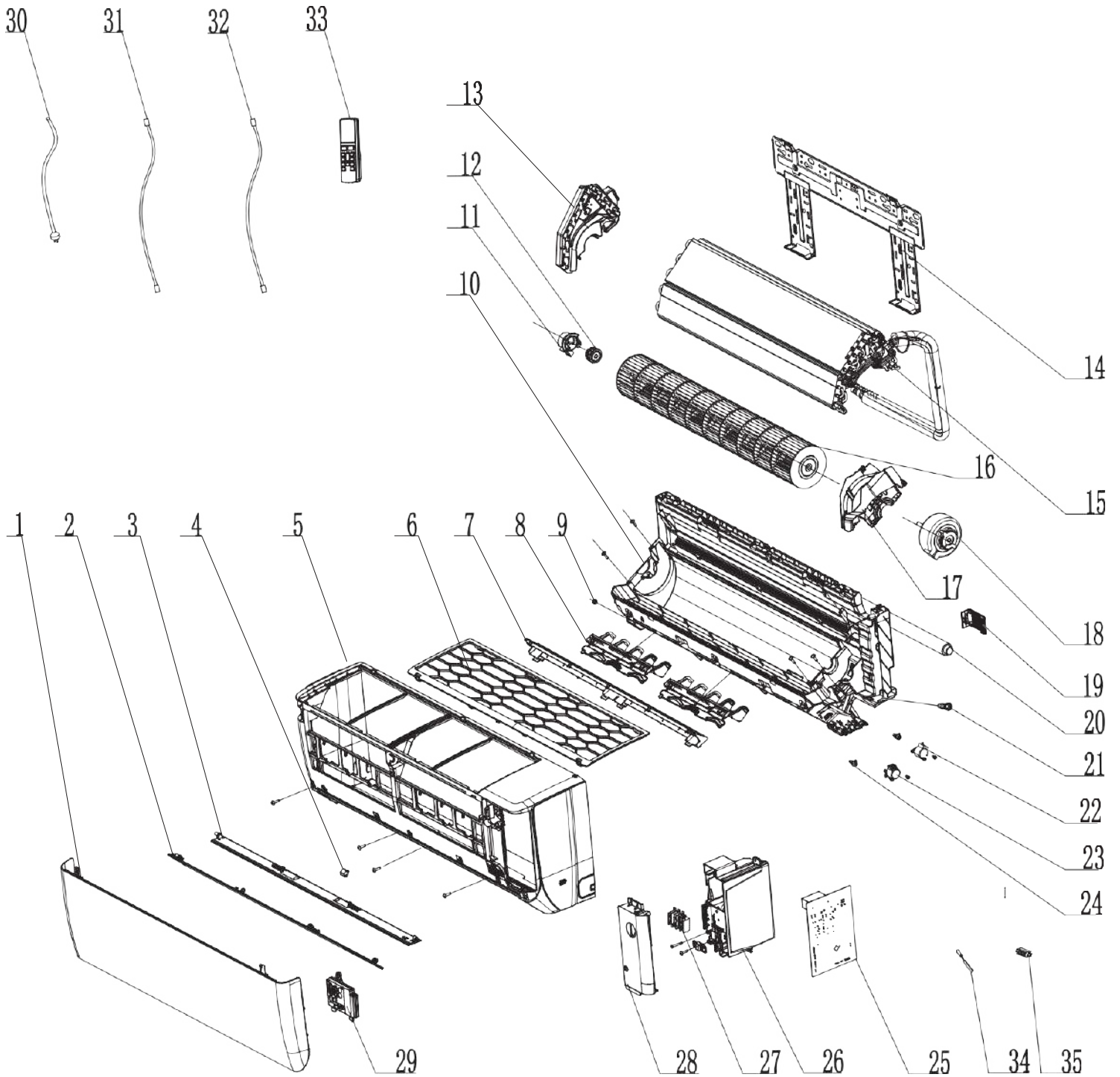
No.	Part Description	Qty.	Part No.
18	Chassis Sub-Assy	1	01700006008001P
NS	Electrical Heater (Chassis)	1	7651001001
8	Compressor and Fittings	1	009001060440
NS	Compressor OL (External) 1	1	00183031
NS	Compressor OL (External) 2	1	00183032
9	Compressor Gasket	1	009012000027
14	Valve Support 1	1	0171314201P
NS	Valve Support 2	1	0171314201
NS	Baffle Plate	1	26113017
NS	Cut-off Valve Assy	1	07133691
13	Cut-off Valve 3/8(N)	1	071302391
NS	Silencer	1	07243045
NS	Cut-off Valve Sub-Assy	1	03005700067
12	Cut-off Valve 1/4(N)	1	07130239
4	Condenser Assy	1	011002061689
NS	Temp Sensor Sleeving	1	05212423
NS	Pipe Sub-Assy	1	03833639
NS	Liquid Collecting Pipe	1	03323966
NS	Fork Filter	1	07213043
NS	EEV	1	072009000017
NS	Strainer	1	0721302611
NS	EEV coil	1	07200206002229
NS	Temp Sensor Support	1	42020063
NS	Sponge (Condenser)	1	12123091
7	Clapboard	1	01233180
3	Motor Support	1	01703136
NS	Magnet Coil (4-Way Valve)	1	4300307301
19	Electric Box Assy	1	100002071845
22	Main Board	1	300027061750
NS	Relay	1	44020331
NS	Temperature Sensor	1	3900030805
25	Terminal Board	1	422000060016
23	Reactor	1	450004060028
NS	Insulation Gasket C	1	70410523
24	Wire Clamp	1	71010003
1	Left Side Plate	1	01303200P
NS	Right Side Plate Assy	1	00008100003303
NS	Right Side Plate	1	0130325503P
NS	Valve Cover	1	22243006



3VIR09HP115V1AO



No.	Parts Description	Qty.	Part No.
NS	Front Panel Assy 1	1	000003060211
NS	Front Panel Assy 2	1	000003060210
16	Cabinet	1	01433033P
15	Front Grille	1	016004060007
5	Top Cover Assy	1	000051060094
NS	Top Cover	1	01253107P
6	Rear Grille	1	01475014
NS	Cable Cross Plate Assy	1	02123015
NS	Cable Cross Plate 1	1	02123013P
NS	Cable Cross Plate 2	1	02123014P
NS	Drainage Joint	1	26113009



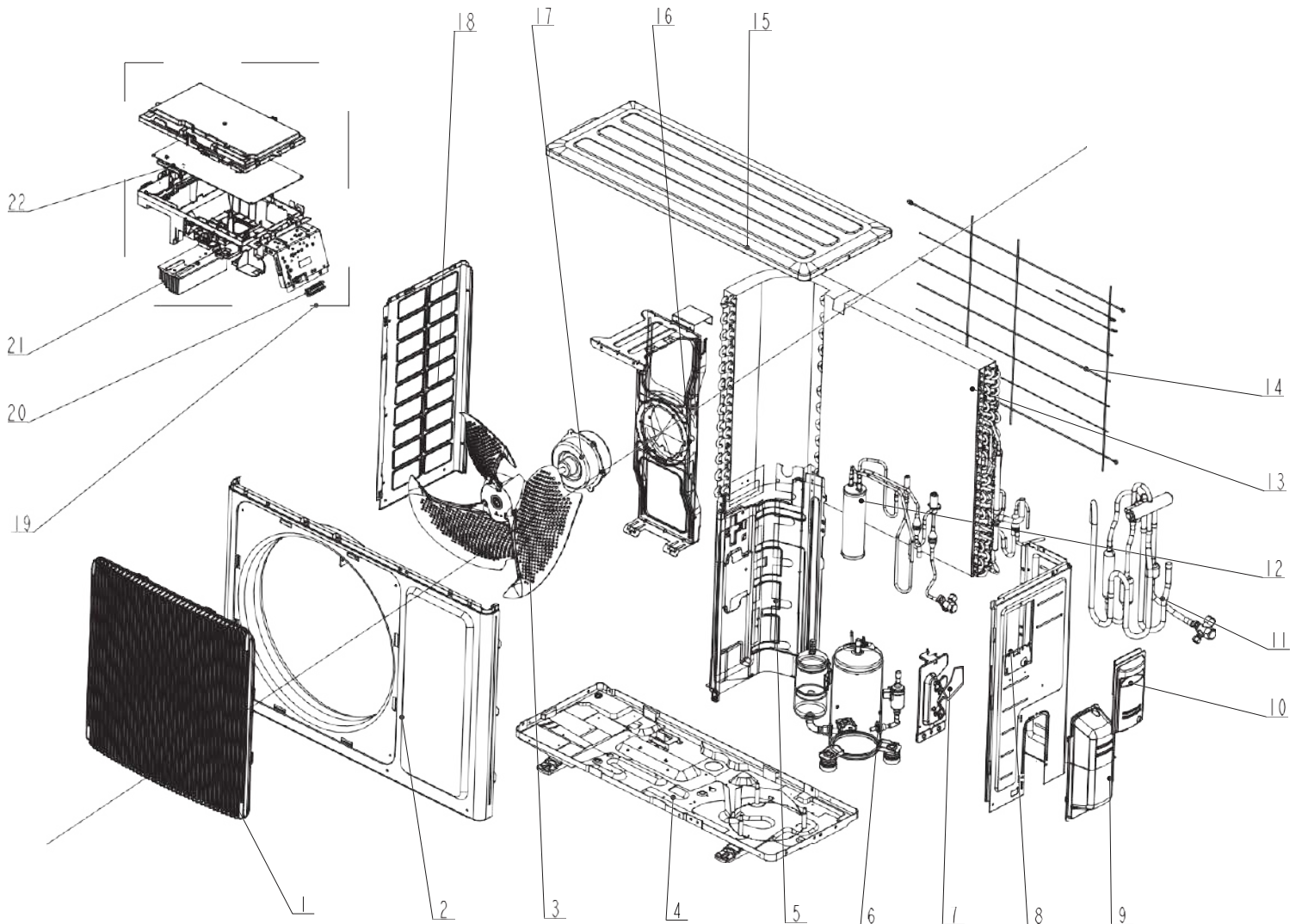
No.	Part Description	Qty.	Part No.
10	Rear Case Assy	1	00000106014301
NS	Rear Case	1	20000106003803
NS	Foam (Water Tray)	1	120000060114
23	Left/ Right Stepping Motor	1	1521210710
NS	Stepping Motor	1	1521200607
24	Crank	2	200023060004
17	Motor Press Plate	1	200020060002
9	Left Axile Bush	2	10512037
20	Drainage Hose	1	05230014
7	Helicoid Tongue	1	200006060012
NS	Air Louver(right)	1	200007060065
8	Air Louver (left)	1	200007060064
NS	Air Louver (Auto)	1	200007060066
22	Left/ Right Stepping Motor	1	1521210704
NS	Swing Lever	1	200035060028
NS	Rear Grille Sub-Assy	2	209016000003
NS	Rear Grille	1	016001060083
NS	Cable Cross Plate 1	1	02122023P
NS	Cable Cross Plate 2	1	02122023
9	Axile Bush Sub-Assy	1	10542047
NS	O-Gasket sub of Bearing	1	76512051
11	Ring of Bearing	1	26152022
16	Cross Flow Fan	1	103001060004
18	Fan Motor	1	15012511
15	Evaporator Assy	1	011001060881
NS	Temp Sensor Sleaving	1	05212423
NS	Evaporator Putty	0	76012401
NS	Temp Sensor Support	1	42020063
13	Evaporator Support	1	200025060004
26	Electric Box Assy	1	100002071055
NS	Electric Box	1	200013060065
25	Main Board	1	300002061793
34	Temperature Sensor	1	3900031302
35	Jumper	1	4202021907
NS	Supporter	1	200114060045
29	Display Board	1	300001060739
NS	Membrane	1	600006060153



3VIR12HP115V1AH



No.	Parts Description	Qty.	Part No.
27	Terminal Board	1	422000000022
NS	Front Case Assy	1	209007060044
5	Front Case	1	200002060041
6	Filter Sub-Assy	1	111001060145
4	Screw Cover	1	200005060003
2	Guide Louver (upper)	1	200004060088
NS	Plug Pin	4	200033060002
3	Guide Louver (lower)	1	200004060087
NS	Front Panel Assy	1	000003060365
1	Front Panel	1	200003060158T
28	Electric Box Cover	1	200082060053
19	Connecting pipe clamp	1	200017000001
14	Wall Mounting Frame	1	01252484
33	Remote Controller	1	305001060106
NS	Front case (2 Color)	1	2220015003S01
21	Rubber Plug (Water Tray)	1	76712012





3VIR12HP115V1AO



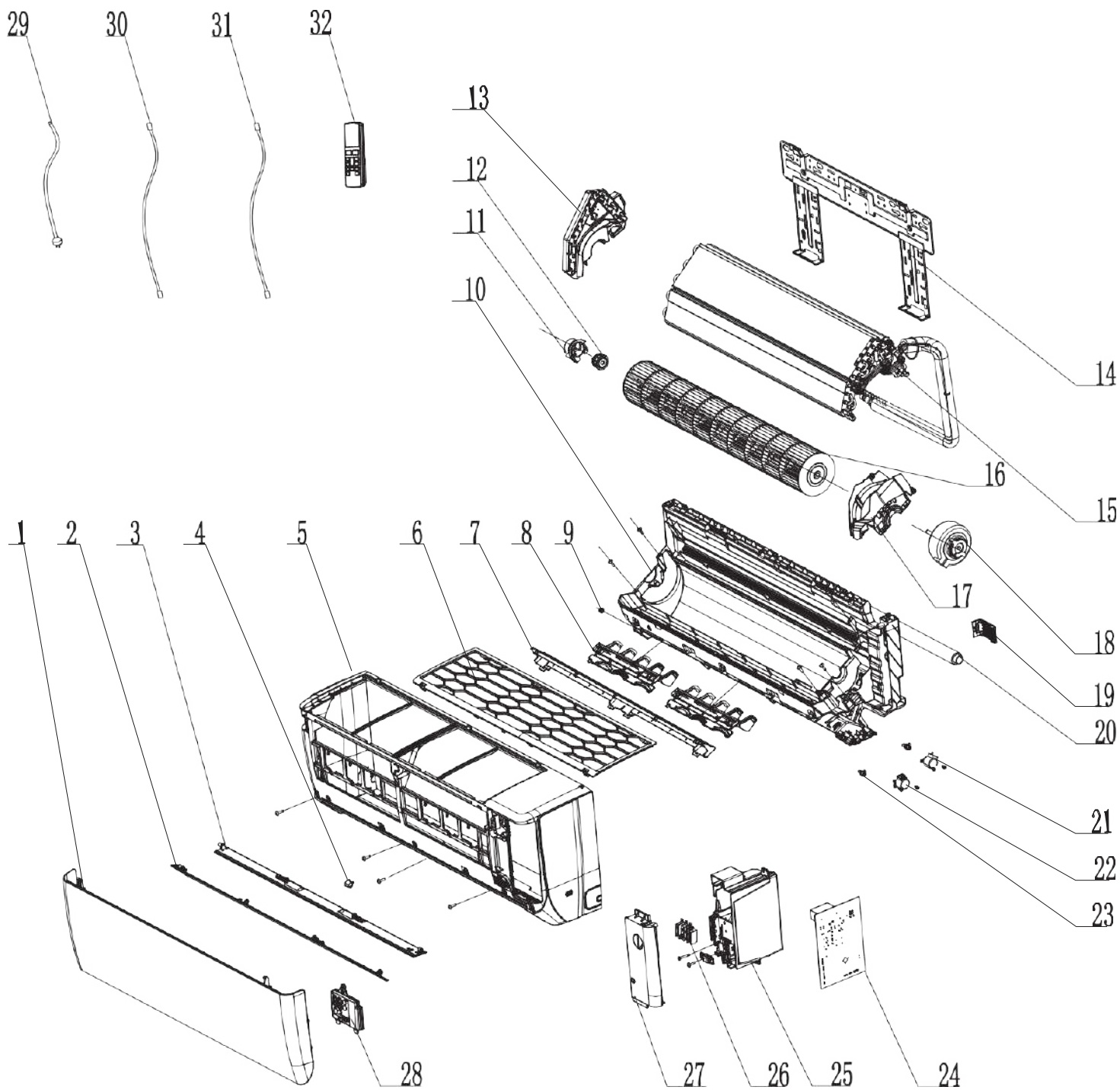
No.	Part Description	Qty.	Part No.
4	Chassis Sub-Assy	1	017000060493P
NS	Electrical Heater (Chassis)	1	7651000423
6	Compressor and Fittings	1	009001060440
NS	Compressor OL (External) 1	1	00183031
NS	Compressor OL (External) 2	1	00183032
NS	Compressor Gasket	3	009012000027
NS	Nut with Washer	3	70310012
7	Valve Support Sub-Assy 1	1	01713115P
NS	Valve Support Sub-Assy 2	1	01713115
NS	Cut-off Valve 1/2(N)	1	071302392
NS	Cut-off Valve 1/4 (N)	1	07100003
13	Condenser Assy	1	011002061491
NS	Fork Filter	1	07213043
NS	Strainer	1	0721302611
NS	EEV	1	072009000017
NS	Temp Sensor Sleeving	1	05212423
NS	Temp Sensor Support	1	42020063
NS	Sponge (Condenser)	1	12123091
NS	Condenser Support Plate	1	01173165
5	Clapboard	1	01233201
16	Motor Support	1	01703180
17	Brushless DC Motor	1	1501308511
3	Axial Flow Fan	1	10333011
NS	EEV Coil	1	07200206002229
11	4-Way Valve Assy	1	030152060441
NS	4-Way Valve	1	430004032
NS	Silencer	1	07245007
NS	Magnet Coil (4-Way Valve)	1	4300307301
19	Electric Box Assy	1	100002072081
22	Main Board	1	300027061748
NS	Relay	1	44020331
NS	Temperature Sensor	1	3900030805
20	Terminal Board	1	422000060016



3VIR12HP115HP1AO



No.	Parts Description	Qty.	Part No.
21	Reactor	1	43130024
NS	Insulation Gasket C	1	70410523
NS	Wire Clamp	1	71010003
18	Left Side Plate	1	01303169P
8	Right Side Plate	1	01303244P
NS	Front Panel Assy	1	000003060115
2	Cabinet	1	0143303402P
1	Front Grille	1	016004060004
9	Valve Cover	1	22243005
15	Top cover	1	012049000006P
14	Rear Grille	1	01473060
NS	Cable Cross Plate Assy	1	02123015
NS	Cable Cross Plate 1	1	02123013P
NS	Cable Cross Plate 2	1	02123014P
NS	Drainage Joint	1	26113009
NS	Drainage Hole Cap 1	1	7671301802
NS	Drainage Hole Cap 2	1	76715005





3VIR09HP230V1AH



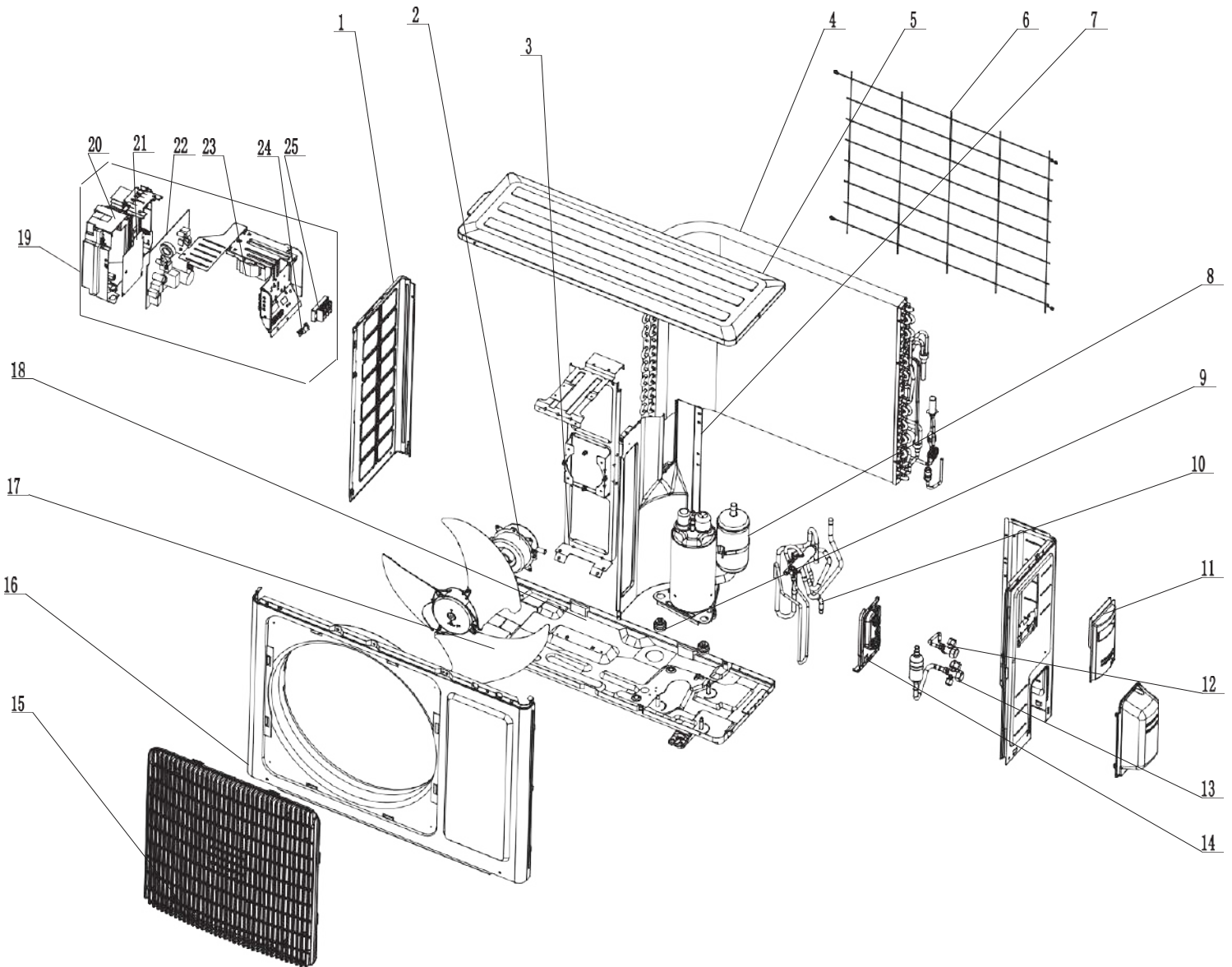
No.	Part Description	Qty.	Part No.
10	Rear Case Assy	1	00000106014301
NS	Rear Case (Gray 5C)	1	20000106003803
NS	Foam (Water Tray)	1	120000060114
22	Left/ Right Stepping Motor	1	1521210710
NS	Stepping Motor	1	1521200607
24	Crank	2	200023060004
17	Motor Press Plate	1	200020060002
9	Left Axile Bush	2	10512037
20	Drainage Hose	1	05230014
3	Helicoid Tongue	1	200006060012
NS	Air Louver(right)	1	200007060065
8	Air Louver (left)	1	200007060064
NS	Air Louver (Auto)	1	200007060066
21	Left/ Right Stepping Motor	1	1521210704
NS	Swing Lever	1	200035060028
NS	Rear Grille Sub-Assy	2	209016000003
NS	Rear Grille	1	016001060083
NS	Cable Cross Plate 1	1	02122023P
NS	Cable Cross Plate 2	1	02122023
9	Axile Bush Sub-Assy	1	10542047
NS	O-Gasket sub of Bearing	1	76512051
11	Ring of Bearing	1	26152022
16	Cross Flow Fan	1	103001060004
18	Brushless DC Motor	1	1501306807
15	Evaporator Assy	1	011001060430
NS	Temp Sensor Sleaving	1	05212423
NS	Evaporator Putty	0	76012401
NS	Temp Sensor Support	1	42020063
NS	Evaporator Support	1	200025060004
26	Electric Box Assy	1	100002070753
NS	Electric Box	1	200013060065
25	Main Board	1	300002061793
34	Temperature Sensor	1	3900031302
35	Jumper	1	4202021906
NS	Supporter	1	200114060045
29	Display Board	1	300001060739
NS	Membrane	1	600006060153



3VIR09HP230V1AH



No.	Parts Description	Qty.	Part No.
NS	Membrane	1	600006060154
27	Terminal Board	1	422000000022
NS	Front Case Assy	1	209007060044
5	Front Case	1	200002060041
6	Filter Sub-Assy	1	111001060145
4	Screw Cover	1	200005060003
2	Guide Louver (upper)	1	200004060088
NS	Plug Pin	4	200033060002
3	Guide Louver (lower)	1	200004060087
NS	Front Panel Assy	1	000003060365
1	Front Panel	1	200003060158T
28	Electric Box Cover	1	200082060053
19	Connecting pipe clamp	1	200017000001
14	Wall Mounting Frame	1	01252484
32	Remote Controller	1	305001060106
NS	Front case (2 Color))	1	2220015003S01
NS	Rubber Plug (Water Tray)	1	76712012





3VIR09HP230V1AO



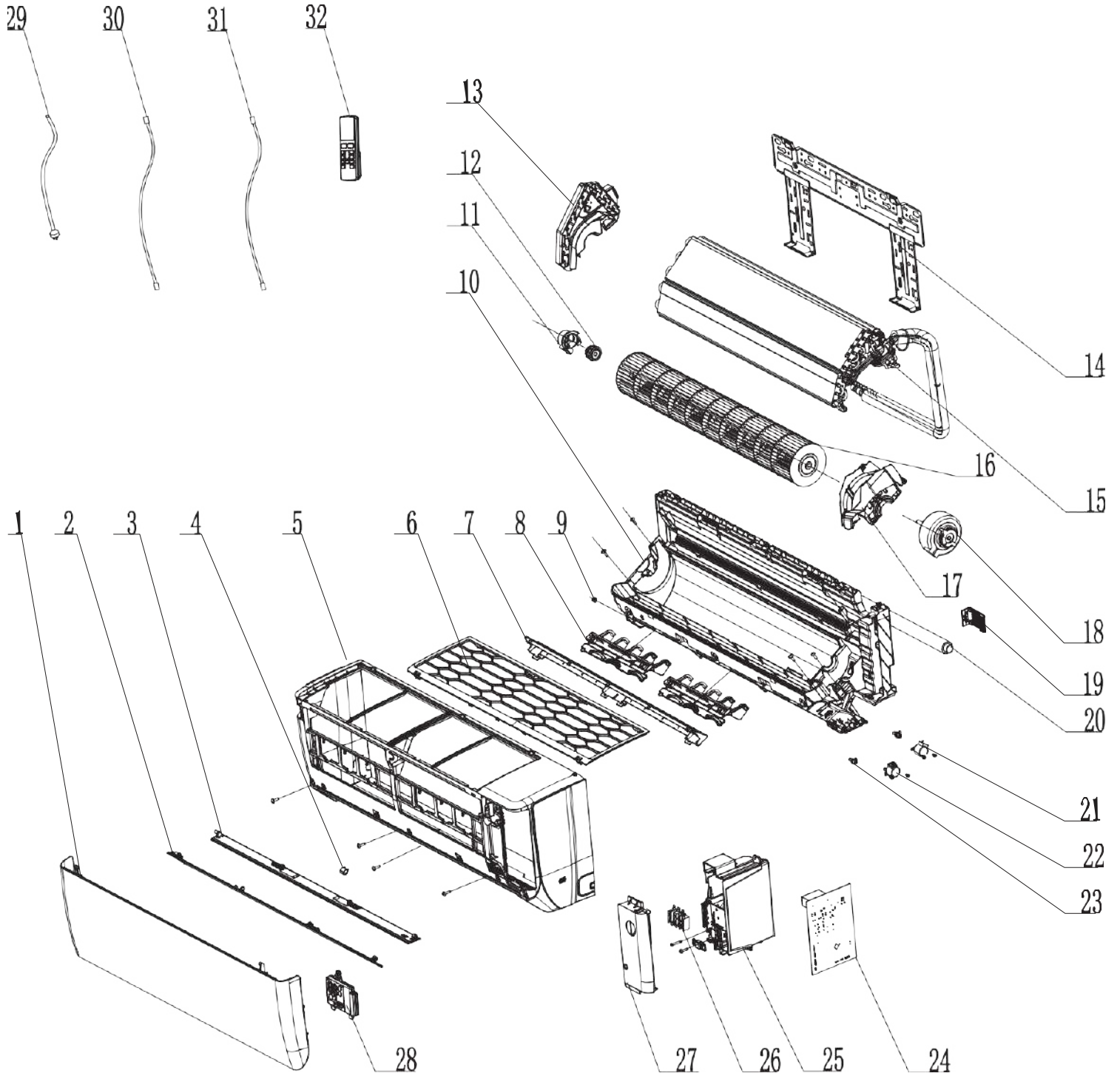
No.	Part Description	Qty.	Part No.
18	Chassis Sub-Assy	1	017000060546P
NS	Electrical Heater (Chassis)	1	7651000423
8	Compressor and Fittings	1	009001060440
NS	Compressor OL (External) 1	1	00183031
NS	Compressor OL (External) 2	1	00183032
9	Compressor Gasket	3	009012000027
NS	Electric Heater (Crankcase)	1	7651300405
NS	Damping Block	1	76012451
14	Valve Support	1	0171314201P
NS	Valve Support	1	0171314201
NS	Baffle Plate	2	26113017
13	Cut-off Valve Assy 3/8(N)	1	07133691
NS	Cut-off Valve 3/8(N)	1	071302391
NS	Silencer	1	07243045
12	Cut-off Valve Assy 1/4(N)	1	03005700067
NS	Cut-off Valve 1/4(N)	1	07130239
4	Condenser Assy	1	011002061467
NS	Capillary Sub-Assy	1	030006060998
NS	Strainer (fork shape)	1	072111031
NS	One Way Valve	1	0713010301
NS	Strainer A	1	07210022
NS	Pipe Sub-Assy	1	03833224
NS	Temp Sensor Sleeving	1	05212423
NS	Temp Sensor Support	1	42020063
NS	Sponge (Condenser)	1	12123091
7	Clapboard Sub-Assy	1	01233180
3	Motor Support	1	01703136
2	Brushless DC Motor	1	1501308530
17	Axial Flow Fan	1	10333011
10	4-Way Valve Assy	1	030152060490
NS	4-Way Valve	1	430004022
NS	Magnet Coil (4-Way Valve)	1	4300040050
19	Electric Box Assy	1	100002070728
22	Main Board	1	300027061537
NS	Relay	1	44020427
NS	Temperature Sensor	1	3900030805
25	Terminal Board	1	422000060016
23	Reactor	1	43130184
NS	Insulation Gasket C	1	70410523



3VIR09HP230V1AO



No.	Parts Description	Qty.	Part No.
24	Wire Clamp	2	71010003
NS	Temperature Sensor Support	1	24213042
1	Left Side Plate	1	01303200P
NS	Right Side Plate Assy	1	00008100003303
NS	Right Side Plate	1	0130325503P
NS	Front Panel Assy 1	1	000003060211
NS	Front Panel Assy 2	1	000003060210
16	Cabinet	1	01433033P
15	Front Grille	1	016004060007
5	Top Cover Assy	1	00005106009402
NS	Top Cover	1	01253107P
6	Rear Grille	1	01475014
NS	Valve Cover	1	22243006
NS	Cable Cross Plate Assy	1	02123015
NS	Cable Cross Plate 1	1	02123013P
NS	Cable Cross Plate 2	1	02123014P
NS	Drainage Joint	1	26113009





3VIR12HP230V1AH



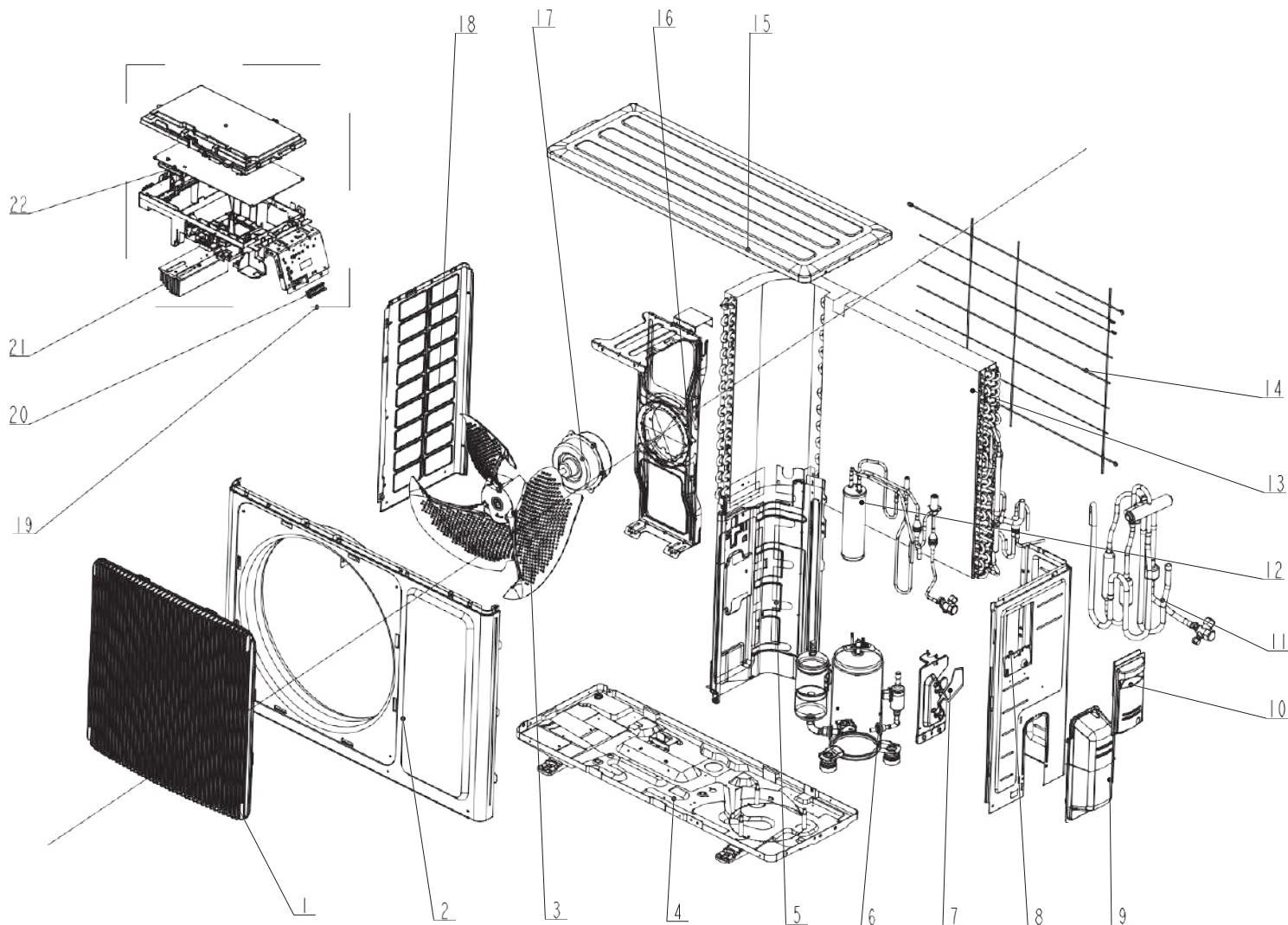
No.	Part Description	Qty.	Part No.
10	Rear Case Assy	1	00000106014301
NS	Rear Case (Gray 5C)	1	20000106003803
NS	Foam (Water Tray)	1	120000060114
22	Left/ Right Stepping Motor	1	1521210710
NS	Stepping Motor	1	1521200607
23	Crank	2	200023060004
17	Motor Press Plate	1	200020060002
9	Left Axile Bush	2	10512037
20	Drainage Hose	1	05230014
7	Helicoid Tongue	1	200006060012
NS	Air Louver(right)	1	200007060065
8	Air Louver (left)	1	200007060064
NS	Air Louver (Auto)	1	200007060066
21	Left/ Right Stepping Motor	1	1521210704
NS	Swing Lever	1	200035060028
NS	Rear Grille Sub-Assy	2	209016000003
NS	Rear Grille	1	016001060083
NS	Cable Cross Plate	1	02122023P
NS	Cable Cross Plate	1	02122023
NS	Axile Bush Sub-Assy	1	10542047
NS	O-Gasket sub of Bearing	1	76512051
11	Ring of Bearing	1	26152022
16	Cross Flow Fan	1	103001060004
18	Brushless DC Motor	1	1501306807
15	Evaporator Assy	1	011001060881
NS	Temp Sensor Sleaving	1	05212423
NS	Evaporator Putty	0	76012401
NS	Temp Sensor Support	1	42020063
13	Evaporator Support	1	200025060004
25	Electric Box Assy	1	100002071055
NS	Electric Box	1	200013060065
24	Main Board	1	300002061793
NS	Temperature Sensor	1	3900031302
NS	Jumper	1	4202021907
NS	Supporter	1	200114060045
28	Display Board	1	300001060739
NS	Button Membrane	1	600006060153



3VIR12HP230V1AH



No.	Parts Description	Qty.	Part No.
NS	Display Membrane	1	600006060154
26	Terminal Board	1	422000000022
NS	Front Case Assy	1	209007060044
5	Front Case	1	200002060041
6	Filter Sub-Assy	1	111001060145
4	Screw Cover	1	200005060003
2	Guide Louver (upper)	1	200004060088
NS	Plug Pin	4	200033060002
3	Guide Louver (lower)	1	200004060087
NS	Front Panel Assy	1	000003060365
1	Front Panel	1	200003060158T
27	Electric Box Cover	1	200082060053
NS	Connecting pipe clamp	1	200017000001
14	Wall Mounting Frame	1	01252484
32	Remote Controller	1	305001060106
NS	Front case (2 Color)	1	2220015003S01





3VIR12HP230V1AO



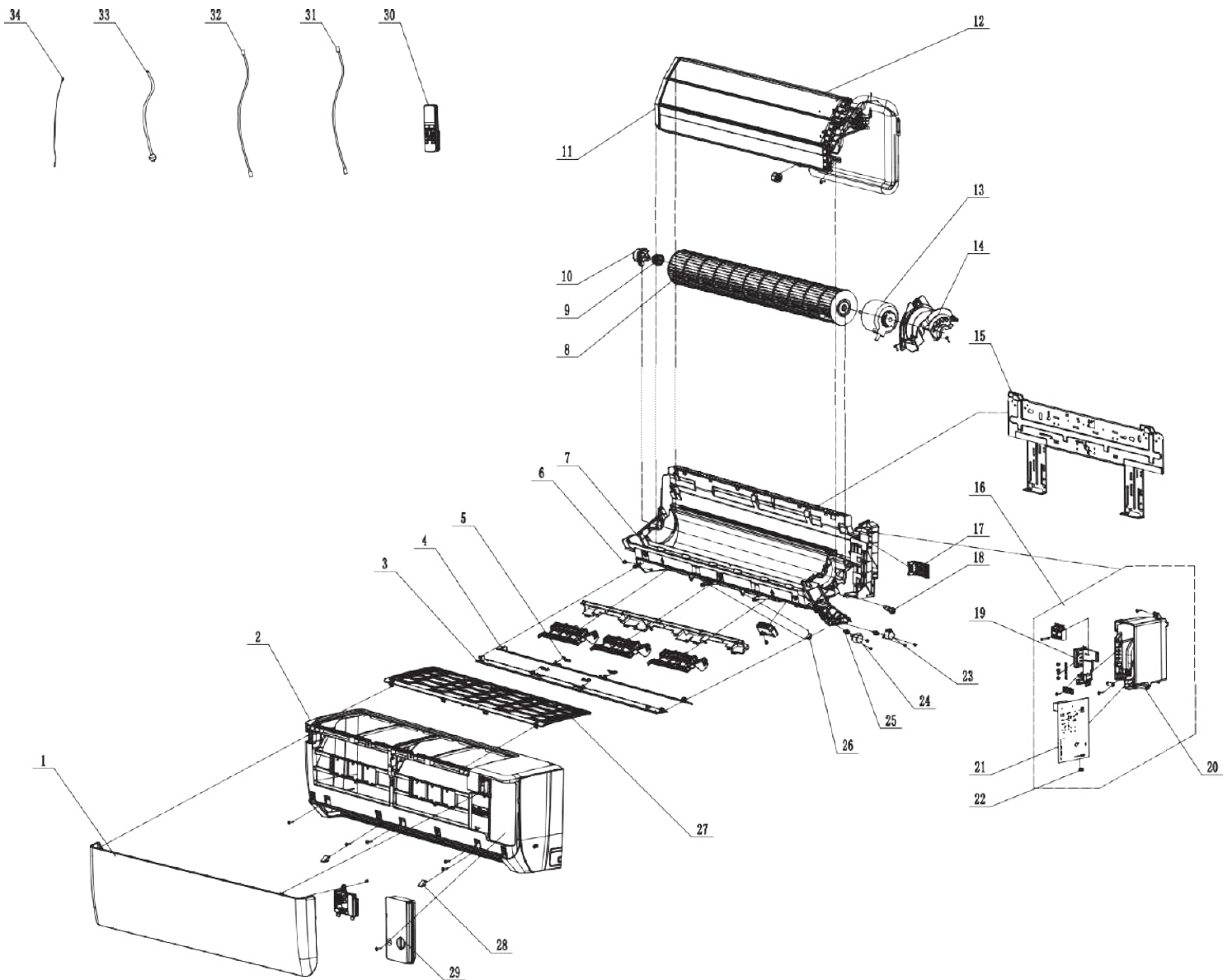
No.	Part Description	Qty.	Part No.
4	Chassis Sub-Assy	1	017000060493P
NS	Electrical Heater (Chassis)	1	7651000423
6	Compressor and Fittings	1	009001060440
NS	Compressor OL (External) 1	1	00183031
NS	Compressor OL (External) 2	1	00183032
NS	Compressor Gasket	3	009012000027
NS	Electric Heater	1	7651300405
NS	Nut with Washer	3	70310012
7	Valve Support Sub-Assy 1	1	01713115P
NS	Valve Support Sub-Assy 2	1	01713115
NS	Cut-off Valve ½ (N)	1	071302392
NS	Cut-off Valve 1/4(N)	1	07100003
13	Condenser Assy	1	011002061491
NS	Fork Filter	1	07213043
NS	Strainer	1	0721302611
NS	EEV	1	072009000017
NS	Temp Sensor	1	05212423
NS	Temp Sensor Support	1	42020063
NS	Sponge	1	12123091
NS	Condenser Support	1	01173165
5	Clapboard	1	01233201
16	Motor Support	1	01703180
17	Brushless DC	1	1501308530
3	Axial Flow Fan	1	10333011
NS	EEV Coil	1	0720020600221
11	4-Way Valve Assy	1	030152060441
NS	4-Way Valve	1	430004032
NS	Silence	1	07245007
NS	Magnet Coil (4-Way Valve)	1	4300040050
19	Electric Box Assy	1	100002071072
22	Main Board	1	300027061535
NS	Relay	1	44020427
NS	Temperature Sensor	1	3900030805
20	Terminal Board	1	422000060016
21	Reactor	1	43130184
NS	Insulation Gasket	1	70410523
NS	Wire Clamp	2	71010003



3VIR12HP230V1AO



No.	Parts Description	Qty.	Part No.
18	Left Side Plate	1	01303169P
8	Right Side Plate	1	01303244P
NS	Front Panel Assy	1	000003060115
2	Cabinet	1	0143303402P
1	Front Grille	1	016004060004
9	Valve Cover	1	22243005
15	Top cover	1	012049000006P
14	Rear Grille	1	01473060
NS	Cable Cross Plate Sub-Assy	1	02123015
NS	Cable Cross Plate 1	1	02123013P
NS	Cable Cross Plate 2	1	02123014P
NS	Drainage Joint	1	26113009
NS	Drainage hole Cap 1	1	7671301802
NS	Drainage hole Cap 2	1	76715005



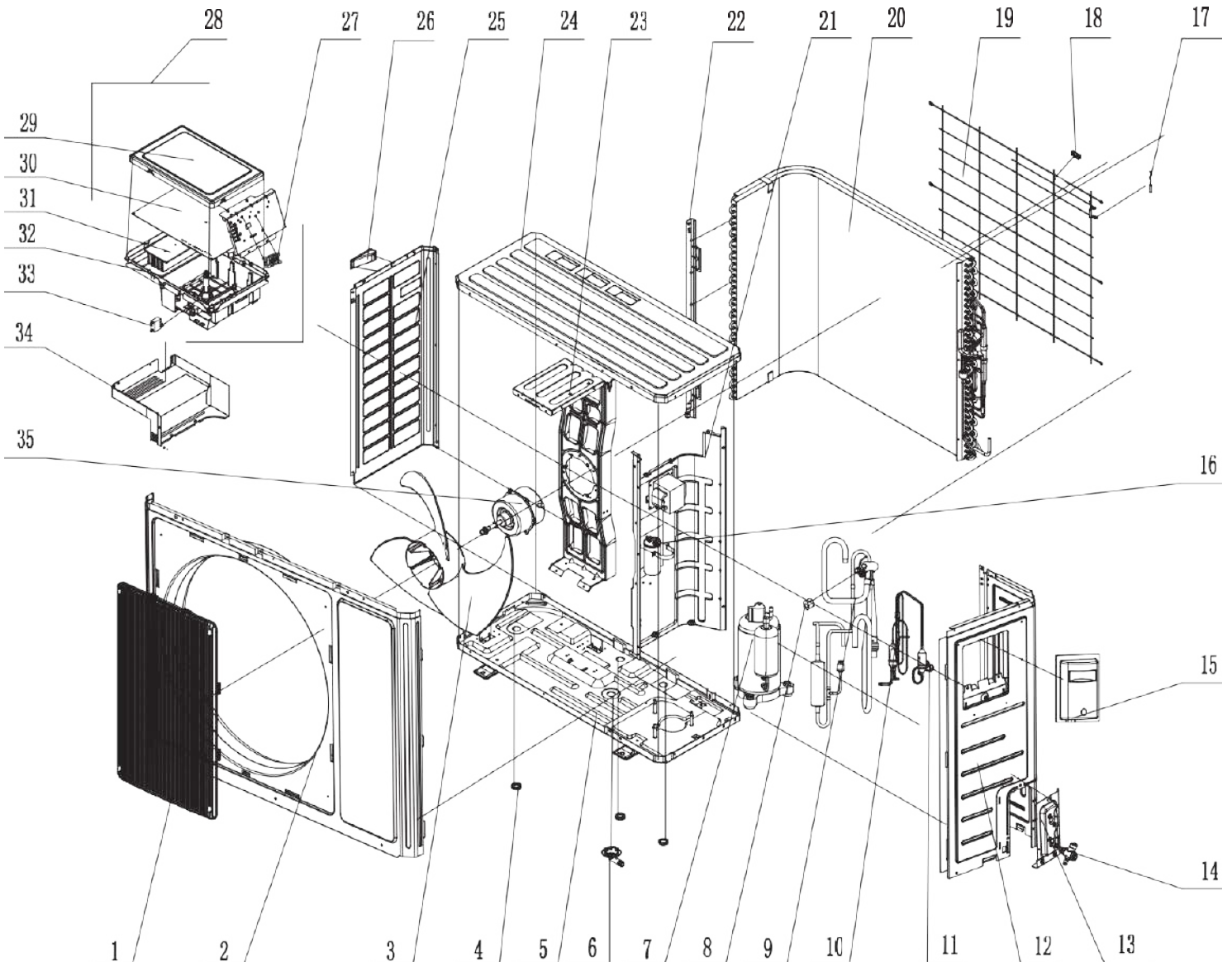


3VIR18HP230V1AH



No.	Part Description	Qty.	Part No.
7	Rear Case Assy	1	00000106013201
NS	Rear Case (Gray 5C)	1	20000106003302
NS	Helicoid Tongue	1	200006060008
NS	Air Louver 1 (Auto)	2	200007060051
NS	Air Louver 2	1	200007060053
NS	Air Louver	1	200007060052
24	Left/ Right Stepping Motor	1	1521210704
NS	Foam	1	120000060098
NS	Foam	1	120000060099
6	Left Axile Bush	2	10512037
25	Crank	2	200023060004
NS	Stepping Motor	1	1521200606
23	Left/ Right Stepping Motor	1	1521210710
14	Motor Press Plate	1	200020060007
26	Drainage Hose	1	05230014
NS	Motor Holder 1	1	26152057
NS	Motor Fixed Clip 2	1	26112325
NS	Sponge (Condenser)	1	1212309102
NS	Axile Bush Sub-Assy	1	10542047
10	O-Gasket sub of Bearing	1	76512051
9	Ring of Bearing	1	26152022
8	Cross Flow Fan	1	103001060017
13	Brushless DC Motor	1	150104060088
NS	Cable Cross Plate 1	1	02122023P
NS	Cable Cross Plate 2	1	02122023
12	Evaporator Assy	1	011001060869
NS	Heat Insulating Hose	1	75088203
NS	Temp Sensor Sleaving	1	05212423
11	Evaporator Support	1	200025060012
NS	Temp Sensor Support	1	42020063
16	Electric Box Assy	1	100002071101
20	Electric Box	1	200013060061
21	Main Board	1	300002061782
34	Temperature Sensor	1	3900031302
22	Jumper	1	4202021918
19	Supporter	1	200114060044
NS	Terminal Board	1	422000000022

No.	Parts Description	Qty	Part No.
NS	Display Board	1	300001060739
NS	Button Membrane	1	600006060153
NS	Display Membrane	1	600006060154
2	Front Case Assy	1	000002060180
NS	Front Case	1	200002060038
27	Filter Sub-Assy	1	111001060142
28	Screw Cover	2	200005060017
3	Guide Louver Sub-Assy 1	1	000136060056
NS	Guide Louver (upper)	1	200004060079
5	Plug Pin	4	200033060002
4	Guide Louver Sub-Assy 2	1	000136060057
NS	Guide Louver (lower)	1	200004060080
29	Electric Box Cover	1	200082060050
NS	Front Panel Assy	1	000003060384
1	Front Panel	1	200003060155T
17	Connecting pipe clamp	1	200017060004
15	Wall Mounting Frame	1	012043060008
NS	Wall Mounting Frame 2	2	01252215
30	Remote Controller	1	305001060106
NS	Front case (2 Color)	1	2220015003S01
18	Rubber Plug (Water Tray)	1	76712012



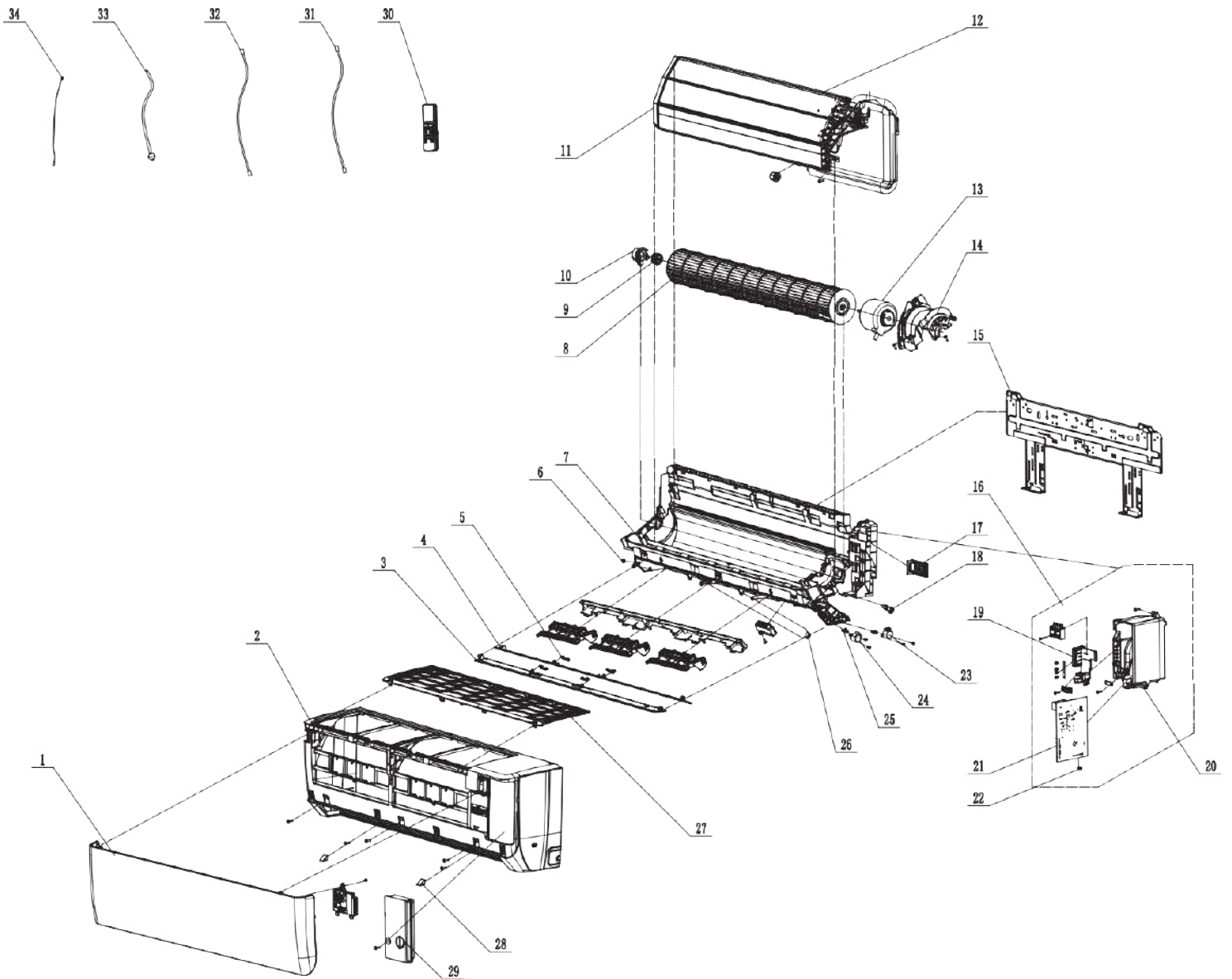


3VIR18HP230V1AO



No.	Part Description	Qty.	Part No.
31	Chassis Sub-Assy	1	01700000161P
NS	Electrical Heater (Chassis)	1	7651000411
29	Compressor and Fittings	1	00105249G
NS	Compressor OL (External) 1	1	00180030
NS	Compressor OL (External) 2	1	00183051
NS	Compressor OL (External) 3	1	00183032
28	Compressor Gasket	3	76710247
NS	Damping Block	1	76012451
NS	Electrical Heater (Crankcase)	1	7651300407
23	Valve Support Sub-Assy 1	1	01705046P
NS	Valve Support Sub-Assy 2	1	01705046
24	Valve Support	1	01705047
NS	Clapboard Sub-Assy 1	1	01702100008
NS	Clapboard Sub-Assy 2	1	01235081
15	Condenser Assy	1	011002000177
NS	Current Divider	1	03413032
NS	Temp Sensor Sleeving	1	05212423
NS	Temp Sensor Support	1	42020063
13	Condenser Border Plate	1	01795031
26	4-Way Valve Assy	1	030152000073
NS	4-Way Valve	1	430004032
NS	Silencer 1	1	07243050
NS	Silencer 2	1	07243049
NS	Silencer 3	1	07245012
NS	Cut-off Valve Sub-Assy	1	07133833
NS	Cut-off valve 5/8(N)	1	07133844
NS	4 Way Valve Coil	1	4300040087
NS	EEV Assy	1	030174000028
NS	Strainer 1	1	07225088
NS	EEV Only	1	072009000017
NS	Strainer 2	1	0721302608
22	Cut off Valve Sub-Assy	1	07133843
NS	Cut off Valve 1/4(N)	1	07130239

No.	Parts Description	Qty	Part No.
NS	Rubber Band	1	76715023
NS	EEV Coil	1	07200206002213
12	Motor Support Sub-Assy	1	01705067
NS	Motor Support	1	01705125
NS	Sponge (Condenser)	1	12123091
2	Brushless DC Motor	1	1501506410
33	Axial Flow Fan	1	10335008
10	Left Side Plate	1	01305093P
9	Handle	1	26233053
6	Electric Box Assy	1	100002071109
NS	Electric Box Cover	1	2012302801
5	Main Board	1	300027061520
NS	Relay 1	3	44020391
NS	Relay 2	1	44020449
8	Terminal Board	1	42200006000908
NS	Insulation Gasket C	1	70410523
17	Wire Clamp 1	1	71010003
NS	Wire Clamp 2	1	71010102
18	Temperature Sensor	1	3900030902
3	Heat Insulator	1	12128748
NS	Right Side Plate Assy	1	00008106011102
20	Right Side Plate	1	0130509002P
NS	Cabinet Assy	1	000006060013
35	Cabinet	1	01433047P
1	Front Grille	1	016004000006
NS	Top Cover Assy	1	000051000017
11	Top cover	1	012049000007P
16	Rear Grille	1	01475020
NS	Sponge (Rear Grille)	2	12204221
21	Handle Assy 1	1	02113109
NS	Handle Assy 2	1	02113032P
NS	Handle	1	02113031
NS	Retaining Plate	1	02115006P
NS	Valve Cover	1	22245002
32	Drainage Hole Cap 1	1	06813401
NS	Drainage Hole Cap 2	1	76713033
NS	Drainage Hole Cap 3	1	76713068





3VIR24HP230V1AH



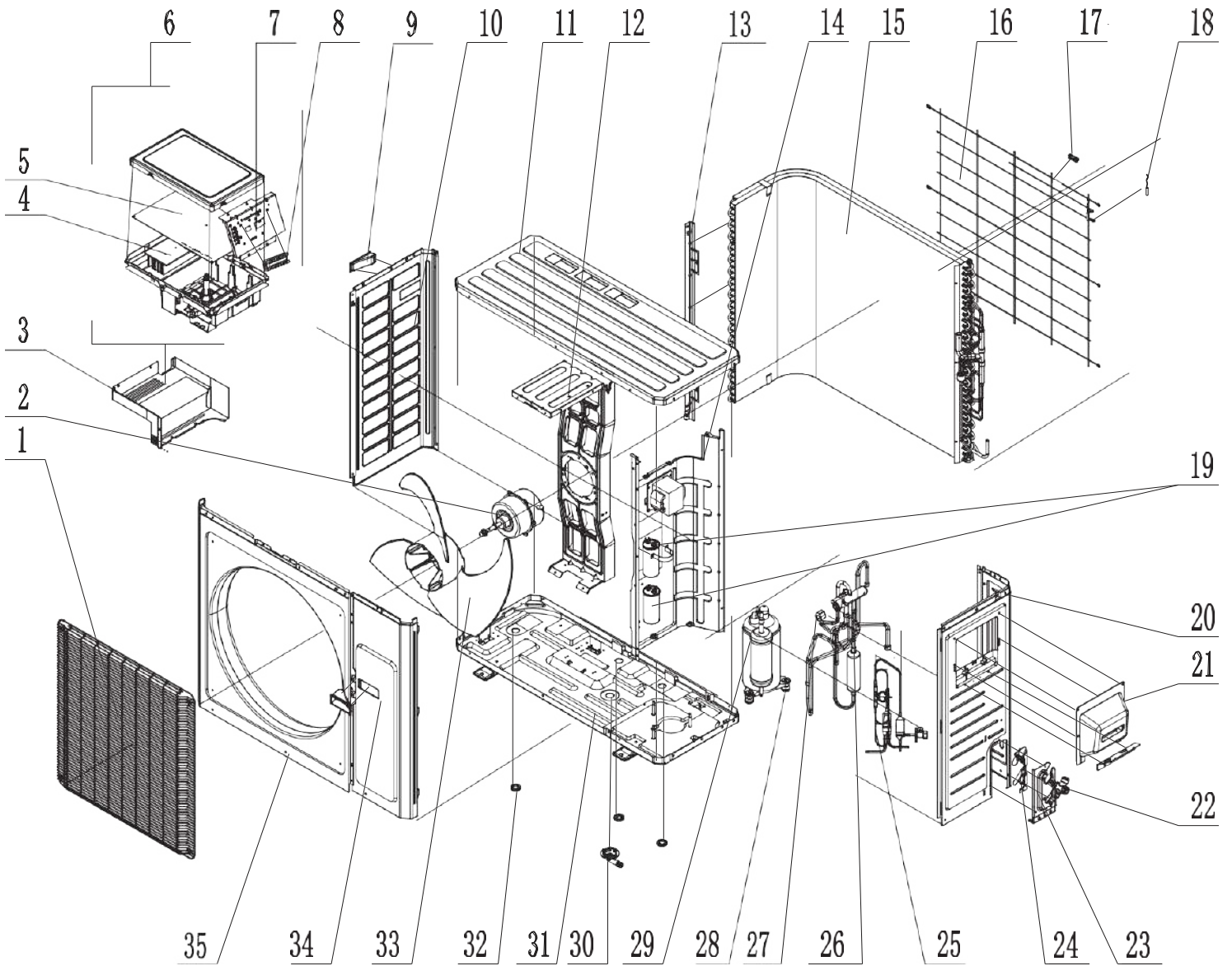
No.	Part Description	Qty.	Part No.
7	Rear Case	1	00001060192
NS	Rear Case Sub-Assy	1	00037706003801
NS	Rear Case (Gray 5C)	1	20000106004102
NS	Helicoid Tongue	1	200006060013
NS	Air Louver	1	200007060058
NS	Air Louver	1	200007060059
NS	Foam 2	1	120000060116
NS	Foam 3(Water Tray)	2	120000060117
23	Stepping Motor	2	1521210712
24	Stepping Motor	1	1521200607
6	Left Axial Bushing	1	10512037
25	Crank	1	200023060004
NS	Air Louver	1	200007060057
NS	Left/ Right Stepping Motor	1	1521210704
14	Motor Press Plate	1	200020060009
26	Drainage Hose	1	0523001405
NS	Cable Cross Plate 1	1	02122023P
NS	Cable Cross Plate 2	1	02122023
NS	Motor Holder 1	1	26152057
NS	Axile Bush Sub-Assy	1	1054204701
10	O-Gasket Sub of Bearing	1	76512051
9	Ring of Bearing	1	26152025
8	Cross Flow Fan	1	103001060019
13	Fan Motor	1	15012136
NS	Motor Fixed Clip 2	0	26112325
12	Evaporator Assy	1	011001061006
NS	Temp Sensor Sleeving	0	05212423
NS	Heat Insulating Hose	1	75088203
17	Evaporator Support	1	200025060014
NS	Airproof Sealant	1	76012015
NS	Support	1	42020063
16	Electric Box Assy	1	100002070645
20	Electric Box	1	200013060061
21	Main Board	1	300002061782
34	Temperature Sensor	1	3900031302
22	Jumper	1	4202021928
NS	Display Board	1	300001060739
NS	Button Membrane	1	600006060153



3VIR24HP230V1AH



No.	Parts Description	Qty.	Part No.
NS	Display Membrane	1	600006060154
19	Supporter	1	200114060044
NS	Terminal Board	1	422000000022
2	Front Case Assy	3	000002060191
NS	Front Case	1	200002060044
27	Filter Sub-Assy	2	111001060163
28	Screw Cover	1	200005060021
3	Guide Louver Sub-Assy 1	1	000136060063
5	Plug Pin	2	200033060002
NS	Guide Louver (upper)	2	200004060093
4	Guide Louver Sub-Assy 2	1	000136060062
NS	Guide Louver (lower)	1	200004060092
29	Electric Box Cover	1	200082060050
1	Front Panel	1	200003060167T
17	Connecting pipe	1	200017060004
15	Wall Mounting	1	012043060012
30	Remote Controller	1	305001060106
NS	Front case (2 Color)	1	2220015003S01
18	Rubber Plug (Water Tray)	1	76712012



No.	Part Description	Qty.	Part No.
31	Chassis Sub-Assy	1	017000060664P
NS	Foot	2	01215004
NS	Electrical Heater (Chassis)	1	7651000411
NS	Electrical Heater (Crankcase)	1	7651300407
29	Compressor and Fittings	1	009001060387
28	Compressor Gasket	3	009012000022
NS	Compressor OL (External) 1	1	00183032
NS	Compressor OL (External) 2	1	00183051
23	Valve Support Sub-Assy	1	0171501201P
15	Condenser Assy	1	011002061090
NS	Temp Sensor Sleeving	1	05212423
NS	Temp Sensor Support	1	42020063
13	Condenser Support Plate	1	01175092
NS	Clapboard Assy	1	01233154
14	Clapboard Sub-Assy	1	01235040
12	Motor Support	1	017012000017
NS	Rivet Nut M5	3	70310165
2	Brushless DC Motor	1	15010400000106
NS	Screw Assy	3	7011029501
33	Axial Flow Fan	1	10335014
22	Cut-off valve Assy 5/8(N)	1	030164000052
NS	Cut-off valve 5/8(N)	1	07133157
NS	Strainer 1	1	07215201
NS	Supporter 1	1	20011400069
NS	Supporter 2	1	20011400068
26	4-Way Valve Assy	1	030152060477
NS	Silencer	1	07243027
NS	4-Way Valve	1	4300008201
27	Magnet Coil (4-Way Valve)	1	4300040045
NS	EEV Assy	1	030174060149
NS	Strainer 2	1	0721304401
NS	Strainer 3	1	07225088
NS	Cut-off Valve Sub-Assy	1	030057060332
NS	Cut-off Valve 1/4(N)	1	07130239
NS	EEV Only	1	43005016
NS	EEV Coil	1	07200206002318
6	Electric Box Assy	1	100002070644
NS	Electric Box Cover	1	2012302801

No.	Parts Description	Qty.	Part No.
5	Main Board	1	300027061440
NS	Relay 1	1	44020449
NS	Relay 2	3	44020391
8	Terminal Board	1	42200006000908
3	Insulation Gasket C	1	70410523
NS	Wire Clamp 1	1	71010003
NS	Wire Clamp 2	1	71010102
18	Temperature Sensor	1	3900030901
10	Left Side Plate	1	01305043P
9	Handle 1	1	26233053
NS	Front Panel Assy	1	0153501405
35	Cabinet	1	0143500401P
1	Front Grille	1	016004060005
20	Right Side Plate	1	0130504402P
NS	Valve Cover	1	22245003
17	Wiring Clamp	1	26115004
NS	Handle Assy 1	1	02113109
NS	Handle Assy 2	1	02113032P
21	Handle 2	1	02113031
NS	Retaining Plate	1	02115006P
11	Top Cover	1	01255020P
34	Front Side Plate Sub-Assy	1	01303249P
16	Rear Grille	1	01475013
32	Drainage Hole Cap 1	2	7671301802
NS	Drainage Hole Cap 2	1	06813401
30	Drainage Joint	1	06123401



U.S. CONTACT INFORMATION TRADEWINDS, LLC

E-mail: info@twclimate.com

Contractor Support: 888-850-7928 | Mon - Fri 8 AM - 5 PM EDT

GREE ELECTRIC APPLIANCES INC. OF ZHUHAI