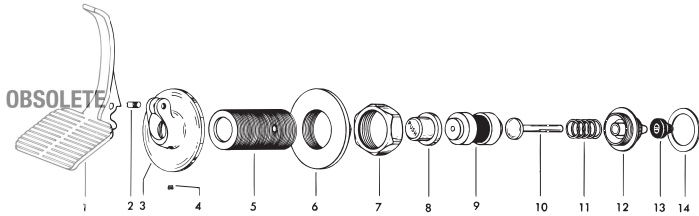


Push, Pull, Pedal Push and Pedal Handle Push Button



Pedal Handle Push Button For Concealed Royal® & Crown®

Item

Item No.	Code No.	Part No.	Description
----------	----------	----------	-------------

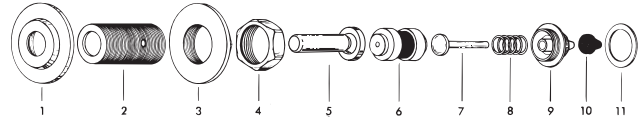
Repair Kit

—	C-40-A	Complete Pedal Handle Push Button Assembly. Items 1-14. Consult factory – OBSOLETE	
---	--------	---	--

Repair Parts

1.	0303295	C-34	CP Pedal Handle – OBSOLETE
2.	5303298	C-35	CP Screw
3-4.	0303303	C-40	CP Flange w/Set Screw
5.	—	B-6/B-6-A	In-Wall Sleeve. If required, consult factory.
6.	0302260	B-24	RB Locknut
7.	0301082PO	A-6	RB Coupling
8.	0303002	C-2	Index Push Button
9.	—	B-15	N/A. Multiple lengths available. Consult factory.
10.	*	B-8-A	Plunger
11.	0303019	C-7	Spring
12.	*	B-41	Bushing
13.	5302297	B-39	Seal
14.	5301139	A-31	Gasket

*Available in kit only.



Handle For Concealed Royal® & Crown®

Item

Item No.	Code No.	Part No.	Description
----------	----------	----------	-------------

Repair Kit

3303398	C-70-A	CP ADA-Compliant Triple Seal Handle Assembly	
----------------	--------	--	--

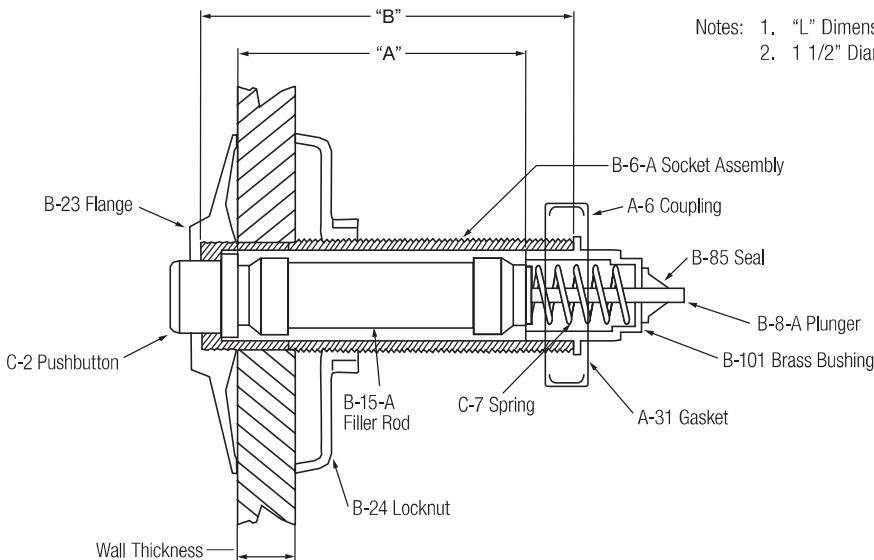
Repair Parts

1.	0302248	B-23	CP Wall Flange 2-3/4" O.D.
	0302252	B-23	CP Wall Flange 2-3/4" O.D. w/Set Screw for Wall Box Installation †
2.	—	B-6/B-6-A	In-Wall Sleeve. If required, consult factory.
3.	0302260	B-24	RB Locknut
4.	0301082PO	A-6	RB Coupling
5.	0302389	B-74-A	CP ADA-Compliant Handle
6.	—	B-15-A	N/A. Multiple lengths available. Consult factory.
7.	*	B-8-A	Plunger
8.	*	C-7	Spring
9.	*	B-41	Bushing
10.	5302297	B-39	Seal
11.	5301139	A-31	Gasket

*Available in kit only. †Wall Box Assembly for C-43-AWB/C-9-AWB/B-12-AWB

"L" Dimension PUSH BUTTON ID CHART (All dimensions in inches)

Wall Thickness	1	2	3	4	5	6	7	8	9	10	11	12	13	14	15
"L" Dimension	3 3/4	4 3/4	5 3/4	6 3/4	7 3/4	8 3/4	9 3/4	10 3/4	11 3/4	12 3/4	13 3/4	14 3/4	15 3/4	16 3/4	17 3/4
"A" (B-15-A) Filler Rod	1 5/8	2 5/8	3 5/8	4 5/8	5 5/8	6 5/8	7 5/8	8 5/8	9 5/8	10 5/8	11 5/8	12 5/8	13 5/8	14 5/8	15 5/8
"B" (B-6-A) Socket Assembly	2 1/2	3 1/2	4 1/2	5 1/2	6 1/2	7 1/2	8 1/2	9 1/2	10 1/2	11 1/2	12 1/2	13 1/2	14 1/2	15 1/2	16 1/2



Notes: 1. "L" Dimension = Wall thickness (to nearest whole inch) + 2 3/4"
2. 1 1/2" Diameter Hole Opening Required Through Wall

