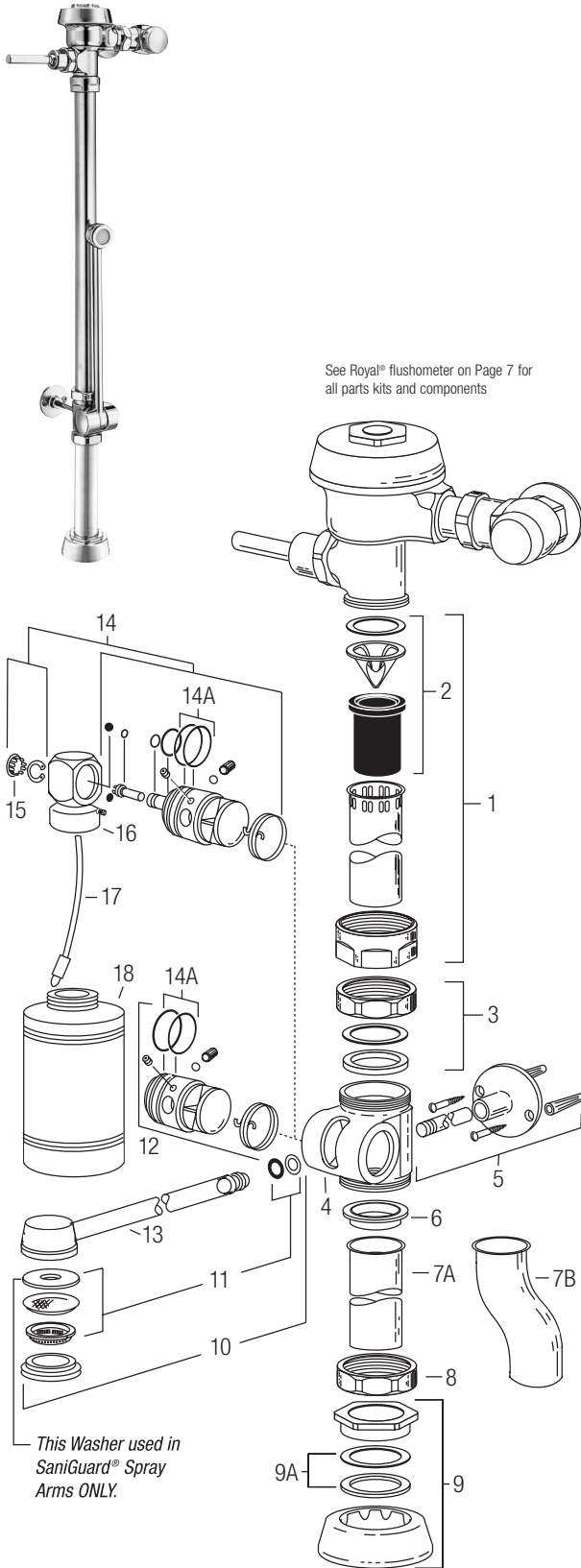


Slimline® Bedpan Washer Flushometer



PARTS LIST

Item No.	Code No.	Part No.	Description
1.	0393009	V-600-AA	1-1/2" x 21-1/2" CP Vacuum Breaker
	0393008	V-600-AA	1-1/2" x 13-1/2" CP Vacuum Breaker (ADA height)
	0393029	V-600-AA	1-1/2" x 21-1/2" CP Vacuum Breaker w/2" Offset
2.	3323182	V-651-A	Vacuum Breaker Repair Kit
3.	0306093	F-2-A	1-1/2" Slip Joint Coupling
4.	0309001PKDV-1		Diverter Valve Body (non-Deoseptic bottle)
	0309052	DV-17	Diverter Valve Body (Deoseptic bottle)
5.	3309035	DV-1001-A	Wall Support Kit
6.	0309027	F-1003	Outlet Tube Gasket – for Flanged Tubes only
7A.	0309029	F-1005	Outlet Tube
7B.	0396525	F-182	Outlet Tube w/1-1/2" Offset
8.	0306045	F-2	1-1/2" Coupling Nut
9.	0306146	F-5-A	1-1/2" Spud Coupling Assembly
9A.	SEE SLIP JOINT GASKETS AND RINGS TABLE ON BOTTOM, PAGE 30		
10.	3309044	DV-32-AA	12" Spray Arm Replacement Kit
	3309077	DV-1014-A	Short Spray Arm Replacement Kit (for use with F-182 Offset Outlet Tube)
11.	3309032	DV-1007-A	Spray Arm Repair Kit
12.	3309037	DV-1003-A	Pivot Replacement Kit
—	0309021	DV-55-A	Diverter Valve Assembly and 12" Spray Arm Assembly includes: 3, 4, 8, 10, 12
—	0309022	DV-69-A	Diverter Valve Assembly and 10" Spray Arm Assembly includes: 3, 4, 8, 10, 12
13.	3309015	DV-1017-A	Repair Kit 15" Sanigard® Spray Arm (.625-18 UNF-2A Thread)

DEOSEPTIC UNIT PARTS

Item No.	Code No.	Part No.	Description
14.	3309036	DV-1002-A	Deoseptic Pivot Replacement Kit
14A.	5337075	DO-6	O-ring-Piston – 2 required – 6 per package
14B.	0309004	DV-4	Set Screw
14C.	0309016	DV-16	Diverter Valve Seal Washer
14D.	0309014	DV-14	Diverter Valve Seal
15.	0309024	DV-21	Plug Button
16.	0309033	DV-33-A	Swivel & ball check Assembly
17.	0309036	DV-36-A	Aspirator Tube Assembly
18.	0309018	DV-29	Deoseptic Solution Bottle

BEDPAN WASHER REBUILD KITS

Code No.	Part No.	Description
5309031	DV-50-A	Diverter Rebuild Kit Includes Outlet Tube Gasket (Item 6), Spray Arm Repair Kit (Item 11), and all Items in Pivot Replacement Kit (Item 12) except Pivot.
3309040	DV-1004-A	Deoseptic Diverter Rebuild Kit Includes Outlet Tube Gasket (Item 6), Spray Arm Repair Kit (Item 11), and all Items in Pivot Replacement Kit (Item 13) except Pivot.

To convert a standard diverter assembly to a deoseptic diverter assembly use:

3309048	DV-1005-A	Deoseptic Conversion Kit
----------------	-----------	--------------------------

SANIGUARD® HANDLE ASSEMBLY

Code No.	Part No.	Description
0302230	B-73-A-SG	Handle Assembly CP (ADA complaint) with Sani-Guard